



# NEWSTAR

Revolutionising standards in architectural ironmongery with problem solving products that save money and deliver exceptional performance, even in the most challenging environments.



Our Quarter Dome Mirror is expertly designed from 1.5mm impact resistant stainless steel and is widely used in a variety of Mental Health wards, and can also be used in other various places like police stations and prisons.

## Quarter Dome Mirror

You are looking at the new generation of mirrors among our industry! Our mirrors offer high class safety when it comes to the security and well-being of all patients and staff in the secure units. Our newly designed mirrors are virtually indestructible; engineered from just Stainless Steel. It has unique ligature resistant polished face and sides to match, to make it stronger for the purpose it is intended. The fixing points and screws are completely tamper proof, therefore absolutely robust for the job it is there to do. This means that it is highly guaranteed for the tough requirements of such environments!

We have designed a new way of the mirrors to be fixed to the wall/ceilings by making the fixing flanges integrated into the actual dome so that it is all polished stainless instead of a painted frame with a polished mirror.

Our mirrors are impressively manufactured by hydraulic pressure at 400 Tons and Flanges welded for extra strength

The Dome mirror also has a competitive pricing structure against your usual polycarbonate alternatives!

## QUARTER DOME MIRROR 1.5MM STAINLESS

- ⇒ Quarter Dome is to be corner mounted at right angle corners to provide 90 degree vision
- ⇒ They are a new generation of our industry and are not to be missed!
- ⇒ Prevents surprise attacks or collisions
- ⇒ Ensures staff, patient and inmate safety
- ⇒ Impact resistant
- ⇒ High heat resistance 1000 degrees
- ⇒ Has an integrated frame and is a one piece unit, subsequently making it easier to fit
- ⇒ Manufactured by hydraulic pressure at 400 Tons and Flanges welded for extra strength
- ⇒ The stainless steel face gives a great reflection and does the job as intended
- ⇒ Complete vandal resistance

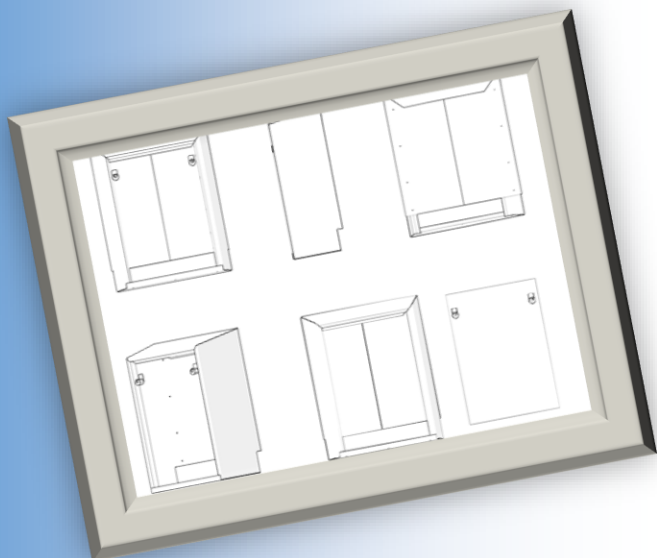
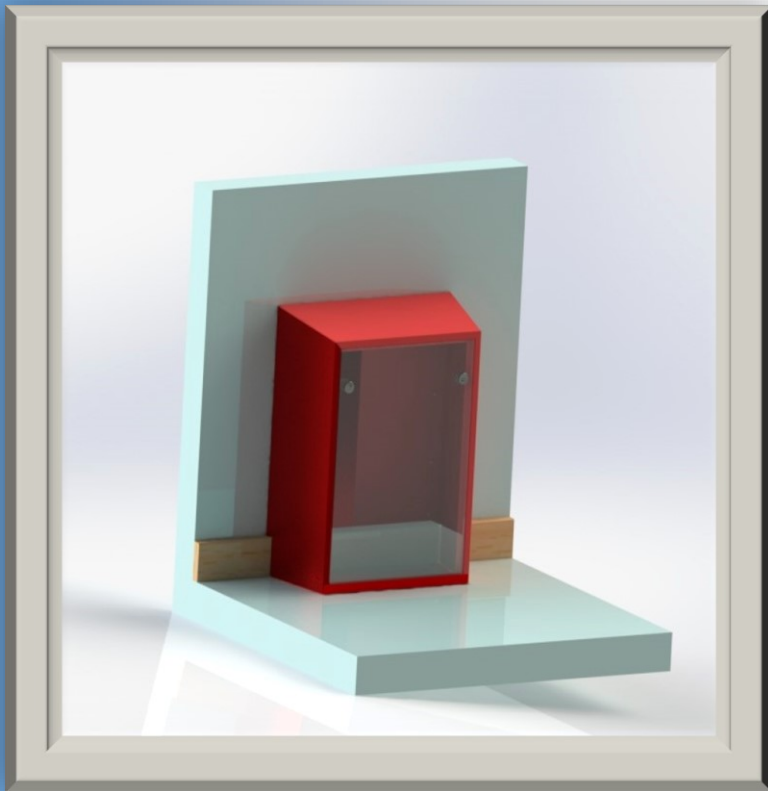
## QUARTER DOME MIRROR

Dimensions	230X230mm
Thickness	1.5mm
Tamper Proof Fasteners	Included
Material	Stainless Steel
Robust	Yes
Approved	Yes



# NEWSTAR

Revolutionising standards in architectural ironmongery with problem solving products that save money and deliver exceptional performance, even in the most challenging environments.



## Ligature-Resistant Fire Extinguishers

Our Ligature-Resistant top of the range Fire Extinguishers are made from strong Aluminium, they can stand against any known attacks that they may face. Designed and manufactured by us, it is the best of kind.

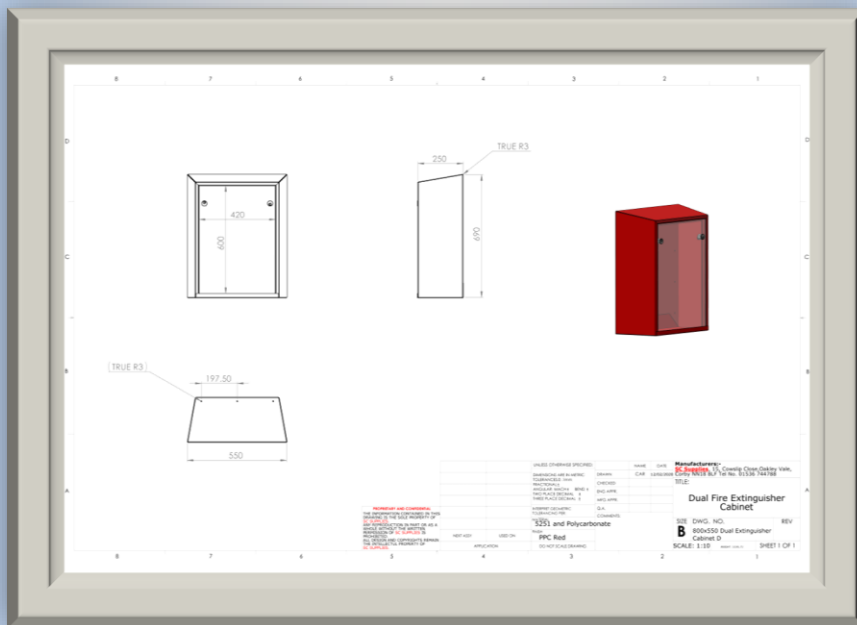
With their expert design they are proven to last, and do the job they are intended. Our Fire Extinguisher Cabinets are highly recommended by a huge number of NHS and Mental Health Trusts around the country.

They ensure the highest degree of safety with a high fire rating of 200 degrees due to its robust and long lasting material.

As well as being a great cabinet doing the job they are meant to do, they also look great in any space!

## FIRE EXTINGUISHER CABINET STAINLESS

- ⇒ Designed to be fixed onto the wall to maximise safety
- ⇒ Fire Extinguisher Cabinets are strong but also look great
- ⇒ Easily Accessible in the event of a fire, and can be part of an existing MK Suite
- ⇒ Ensures staff, patient and inmate safety being ligature-resistant and mounted onto the wall
- ⇒ Has a resistance on heavy impact so will not break under attack
- ⇒ High heat resistance 200 degrees
- ⇒ Looks good on any wall
- ⇒ Heavy Duty - built to last
- ⇒ The best on the market not to be missed



## QUARTER DOME MIRROR

Dimensions	SINGLE + DOUBLE
Weight	9KG + 12KG
Tamper Proof Fasteners	Included
Material	Aluminium
Robust	Yes
Approved	Yes



# NEWSTAR

Revolutionising standards in architectural ironmongery with problem solving products that save money and deliver exceptional performance, even in the most challenging environments.



For products like this, we understand that discreet protection is a must. We've made sure that we have blended our safe TV's to enable them to look great and work within any room or area.

## Ligature-Resistant TV Cabinets

Our Ligature-Resistant TV Cabinet has a unique patent pending cabinet feature which protects against damage by liquids or aerosols. They protect flat screen TV's with a high security screen lock that can be matched to an existing master keyed suite, avoiding any need for additional keys.

These are highly suitable for environments where user safety is a consideration, designed in a way to minimise hazard risk. It prevents damage to a wall mounted flat-screen television unit without compromising viewing or function.

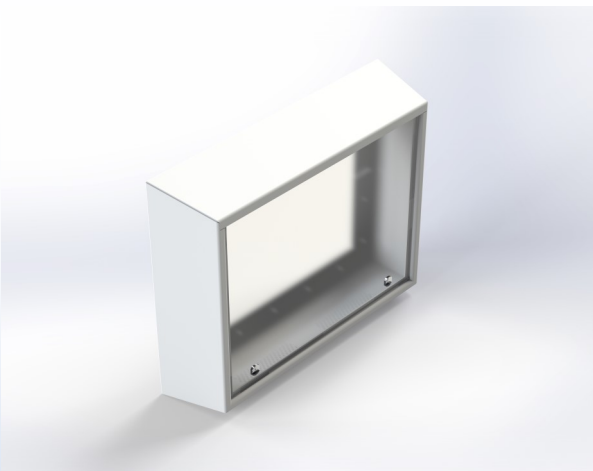
Manufactured in corrosion resistant metal for durability; lightweight enough to allow single person installation and is designed to allow easy positioning of television mounting plate and cabinet surround.

## LIGATURE RESISTANT TV CABINETS

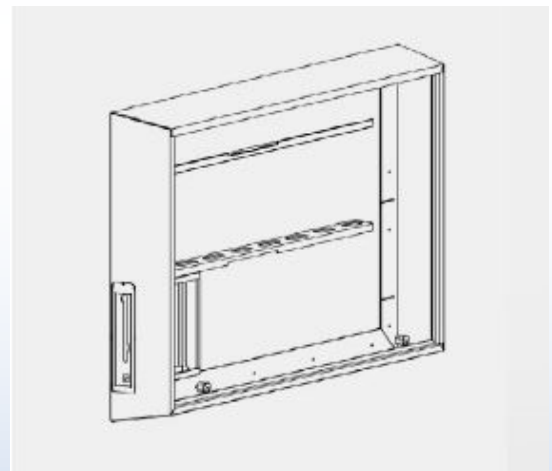
- ⇒ High Security screen lock can be matched to existing master keyed suite, avoiding the need for additional keys
- ⇒ Unique feature protects against liquid and aerosol damage
- ⇒ Up to 12mm thick polycarbonate screen and durable metal surround protects against impact damage
- ⇒ Manufactured in corrosion resistant high grade Aluminium metal for durability
- ⇒ Lightweight enough to allow single person installation
- ⇒ Aesthetic appearance enhanced by minimal projection off the wall, they are available in powder coated finish RAL, or any preference, just ask!
- ⇒ Suitable in environments where user safety is a consideration and is expertly designed to minimise hazards and risks
- ⇒ Comes complete with its own mounting bracket, further saving on costs and compatibility

Unit below without a console/dvd player aperture

Cut out



Unit below with a PS4 aperture cut-out



### LIGATURE RESISTANT TV CABINET

Dimensions	Made to Order
Thickness	
Tamper Proof Fasteners	Included
Steel Frame	Stainless Steel
Robust	Yes
Approved	Yes



# NEWSTAR

Revolutionising standards in architectural ironmongery with problem solving products that save money and deliver exceptional performance, even in the most challenging environments.



## **Washroom Equipment**

manufactured in stainless steel for durability and damage resistance in the places its needed most. It is designed to be Installed by recessing into a wall to improve all aspects.

It is available under a secure master key system making the equipment even easier for access. The Stainless steel material facilitates maintenance of hygiene standards and can be finished in satin stainless steel; available in other finishes to order also.

## **Recessed Bin**

suitable in environments wherever user safety is a consideration they are designed to aid easy maintenance and hygiene standards during everyday use. Provides a recessed wall mounted waste receptacle suitable for any high wear-and-tear environment.

## **Recessed Automatic Soap Dispenser**

suitable for stud wall environments where the the need for keeping flush and clean wall areas, made from 1.5mm 304 stainless steel and RAL coated to match wall colour if needed, no moving parts visible.

## **Recessed Paper Towel Dispenser**

again suitable for stud walls, it has a dual purpose, it holds the paper towels above the wash basin and the front is made from 2mm thick 304 Stainless mirror polished to provide a security anti-tamper unbreakable mirror in the washing area

## **Recessed Toile Tissue Dispenser**

again designed for stud walls where the need to stop any damage or allowing the users to use the tissue dispenser for self harm.

## **Recessed Dual Dispenser**

This unit combines the same great features as the Paper towel Dispenser and the Automatic Soap dispenser but has an enlarged mirror front.

ALL of the above can me made in a high strength surface mounting or semi surface mounting if there is a limitation to the amount of recess that can be provided on site

## **Ligature Resistant Washroom Range**

- ⇒ The Creative Ironmongery Washroom Equipment has become very popular with clients all over the country
- ⇒ We stock standard sized units in a white RAL Polyester Powder Coating
- ⇒ Available in custom sizes made to order
- ⇒ Stainless Steel material facilitates maintenance of high hygiene standards
- ⇒ Manufactured from stainless steel for strength, durability and damage resistance
- ⇒ Installed by recessing into wall to improve damage resistance
- ⇒ Fronts secured by high security camlocks
- ⇒ Can be produced to existing masterkeyed suites if camlocks are available, or produced to suit existing low secure camlocks if used on site
- ⇒ Polyester Powder Coated in any RAL Colour Range
- ⇒ Surface mounting available to order
- ⇒ Semi recessed available to order
- ⇒ Designed & Manufactured in Corby, Northamptonshire

## **Anti-Vandal ligature Resistant Washroom Range**

Raw Material	SS 304
Manufactured	IN THE UK
Tamper Proof Fasteners	Included
Material	304 Stainless Steel
Robust	Yes
Approved	Yes





# NEWSTAR

Revolutionising standards in architectural ironmongery with problem solving products that save money and deliver exceptional performance, even in the most challenging environments.



## Creative Pull-Handle

Our top of the range Creative Pull-Handle is going to be a real market leader! In this instance, we have designed our new Pull-Handle on the conversations and observations that we have experienced over the years.

This has been manufactured focussing on the importance of durability, hygiene and ligature-resistance within the different sectors. We understand the importance of day-to-day durability, and know how imperative it is to have safe products in every environment.

The Creative Pull-Handle is designed with a shaped backplate to enhance the appearance, giving the environment a more modern, up-to-date look.

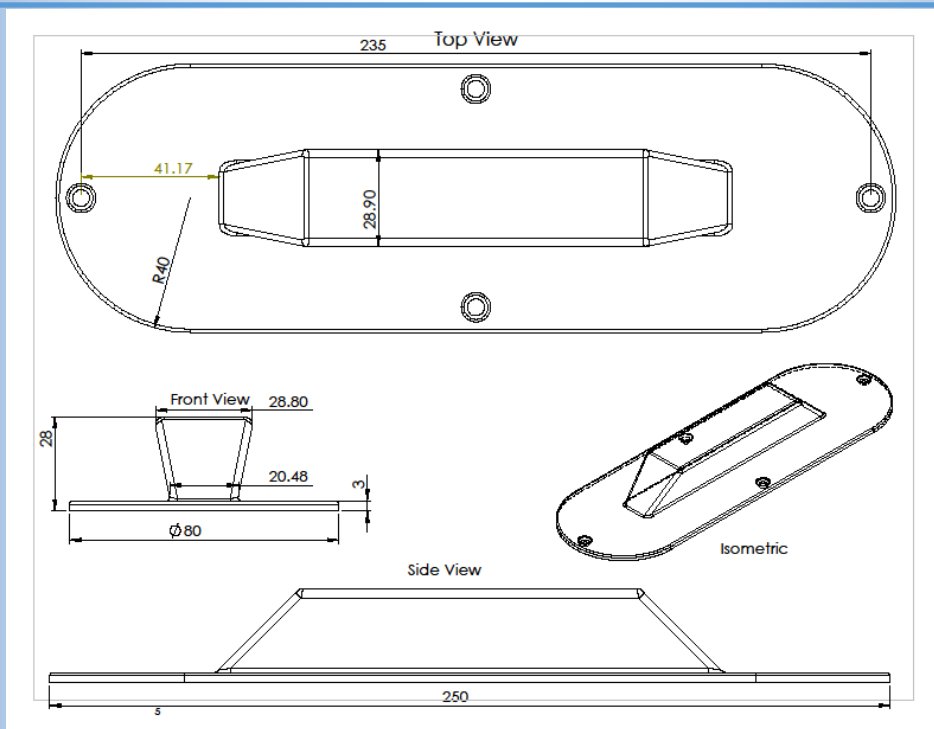
It is assured to do exactly what it is meant, as well as more. It looks great and can withstand a Fire of 1200 degrees Celsius

Most of all, they are robust, look pretty, and do exactly what they say! As well as last longer than your everyday non-competitive Pull-Handles.

Replace your tired pull handles for the new Creative Handle! We guarantee you will be more than happy with your purchase.

## CREATIVE PULL-HANDLE

- ⇒ The New Style Creative Pull-Handle is going to be a long lasting product
- ⇒ Standard Handle Manufactured by Investment Casting and Plate by CNC Laser Cutting
- ⇒ Any size is available to order unlike most of the other handles on the market
- ⇒ Can conform to DDA regulations unlike most of the other ligature resistant Pulls
- ⇒ All sharp edges polished for smooth and edge free article
- ⇒ Matt finish on handle and Plate or 8 stage grinding and polishing for flawless mirror finish on plate
- ⇒ Handle secured to a plate with three M5 Screws for added strength
- ⇒ Can be made in any finish required, just ask!
- ⇒ Keeps maintenance and installation costs to a minimum
- ⇒ Mounting plate can be made to cover existing holes in doors in a retro fit application



## CREATIVE PULL-HANDLE

Raw Material	SS 304
Manufactured	Great Detail
Tamper Proof Fasteners	Included
Material	Stainless Steel
Robust	Yes
Approved	Yes