

NEWSTAR CATALOGUE 2018

PRODUCT PARTNERS

**cu
be**



GRID

EUROSPEC

BARRY™

AGB

SCIVOLA

**CREATIVE
IRONMONGERY**

grade easi-T

mekkit^{3D}
PAT-PENDING

DOOR CLOSERS

CONCEALED, POWER ADJUSTABLE BY VALVE	
Heel type	
Single or Double Action	8-9
Overhead type	
Single or Double Action	10-12
Barymatic	
Single Action Only	13
Floor Spring	
Single or Double Action	14-16
Briton Retro Fit Kit	17
Pivot Protector	18
FIXED POWER	
Transom	
Single or Double Action	19
SURFACE, POWER ADJUSTABLE BY VALVE	
Track Arm	20-23
V Arm	24-27
SLIDING	28

PIVOTS AND EMERGENCY RELEASE

For use with Floor Spring Strap and Top Centre	30
For use with Emergency release	31
Emergency Release	32-33
Double Action Strikes	34-36

STAYS & SELECTORS

Surface Limiting Stay	38-39
Door Sector	40-41
Mortice Limiting Stay	42

SLIDING DOOR GEAR

STRAIGHT SLIDING DOOR GEAR	
System 0400	44
System 0500 Modular	45-47
System 0600 Flush	48-49
Glass System	50-51
POCKET DOOR KITS	
Mekkit 3D	52
COMPARISON CHART	
53	
SLIDING LOCKS	
Bathroom Sets	54
Cylinder	55
SLIDING DOOR HANDLE	
Edge Pull	56
Flush Pulls	57

HINGES

CONCEALED	
Comparison Chart	60
Finishes	61
Adjustable type	62-66
Adjustable type sprung version	67
Router Jig to Suit	68
SOSS type	69-73
SOSS type sprung version	74
SPRING	
Double Action	75-77
Single Action	78-80
BUTTS	
Standard	81-86
Hospital Lift Off	87
Parliament	88
Falling	89
Rising	90
Glass Fittings	91

FURNITURE SSS

ROUND BAR LEVERS	94
ACCESSORIES	
8mm	95
5mm	96
DESIGNER LEVERS	97
FLAT PLATE ESCUTCHEONS	98
PULL HANDLES	
Mitred	99
T bar	100
Round Bar	100

DOOR FINGER GUARD PRODUCTS

Finger Shield	102
Finger Shield Professional XL	103
Rear Shield	104

ANTI-LIGATURE RANGE

KNOBS	
Anti-Barricade	106
ESCUTCHEONS	
Over-Ride	107
Anti Tamper	107
PULL HANDLES	
Large and adaption for drawers	108
EASI-PULL Plain	109-110
EASI-PULL Escutcheon combination	111
HANDRAILS	112
WINDOWS	113
WASHROOM	114-118
TELEVISION CABINET SURROUND	119

DOOR LOCKS

MAGNETIC DIN LOCKS	
Cylinder 60mm	122
Bathroom 60mm	123
STANDARD DIN LOCKS	
Sash 60 & 55mm	124-126
Latch 60 & 55mm	127-129
Dead 60 & 55mm	130-132
Bath 60 & 55mm	133-135
Night Latch 60mm	136-139
Class Room 60mm	140
Escape Dead Lock 60mm	141
Escape Sash Lock 60mm	142
JIG TECH	
Lock Morticing Kit	143
UK SIZE LOCKS	
Standard and Tubular Latch	145
Sash Lock - 3 Lever, Profile and UK Oval	146
Dead Lock - 3 Lever, Profile and UK Oval	147
Bathlock	148
Mortice Bathroom Deadbolt	148
REBATE KITS	
Din	148
UK	148
ADJUSTABLE ROLLER CATCH	148
BS KITEMARKED LOCKS	
5 Lever Sash Locks	149
Double Cylinder	150
Double Cylinder and Turn	151
5 Lever Dead Locks	152
Double Cylinder	153
Double Cylinder and Turn	154
RIM LOCKS AND NIGHTLATCH	
Roller Bolt	155
Rim Dead Bolt	156
Rim Cylinder	156
Locking Latch Bolt	157
Non Locking Latch Bolt	158
Rim Lever Locks	159
Espagnolete Bolt	159
PANIC BOLTS AND LATCHES	
UK Standard Device	160
Heavy Duty Device	161
Break Glass Device	162
NON STANDARD STRIKES	
Heavy Duty Sash Lock	163
Heavy Duty Roller Bolt Lock	164
Rim Electric Strike	165
DOUBLE SWING STRIKES	
See Pages 34-36	

LONDON FIRE BRIGADE LOCKS AND KEYS

MORTICE	168
RIM	168-169
PADLOCKS	170
KEYS	171

DISABLED LOCKSETS

NATIONAL KEY SCHEME	
Locks - 5 lever	174-179
Padlocks	180
Keys	180
TOILET SETS (NO KEYS)	181

BUDGET LOCK RANGE

STANDARD	
Rim	184
Mortice	184
T Keys	184
CAPTIVE	
Rim	185
Mortice	186
ESUCHEONS	
Face Fix	187
Friction	187
Covered Sprung	187
Covered Swivel	187

ACCESSORIES, OTHER LOCKS AND KEYS

GARAGE DOOR	
Keyed Bolt	190
Keyed Door Handles	191
SHUTTER LOCKS	
Bullet Lock and Escutcheons	192
Central Locking Mechanism	192
PARKING POSTS	
Dropdown	193
Barrier	193
PADLOCKS	
Cylinder Standard Laminated	194
Cylinder Adjustable Shackle	195
Cylinder Standard Water Proof	195
Padlock Protector	196
5 Lever Closed Shackle	197
Shutter	197
SASH JAMMER	
HASP & STAPLE, LOCKING BARS	
Various sizes and strengths	197
SPINDLES	
Half to operate, lockable, floating and fixed.	198
Split Spindle	198
Standard Spindle 5 and 8mm	198
Lever Bolt through fixings	198
Adapter 5 to 8mm	198

SPECIALIST LIFT KEYS

Euro Release, short and long.	199-200
Express	199-200
GLC	199-200
Summit	199-200
Otis	199-200
H&C	199-200
GAL	199-200
Drewhurst	199-200

SPECIALIST KEYS

General Utility Key	201
Gas Meter Key	201
T Key	201
Mortice Window Key	201
Padlock Key Blanks	201
LONDON FIRE BRIGADE KEYS	201

SEALANT SILICONE

General purpose	202
Multi-Purpose	202
Decorators Caulk	202
Acoustic Sealant	202
Mitre Kit	202
Lubricating Spray	202
Sealant Gun	202

CAM LOCKS AND CATCHES

CAM LOCKS	
Range of Locking Mechanisms and Tongue lengths	204-205
Glass Door Locks	205
Gas Meter Lock	206
Filing Cabinet Lock	206
Double Handed Cabinet Lock	207
Multi Drawer Lock	207
Sliding Lock	207
CATCHES	
Door	208
Showcase	208
Throw Over	208
Double Roller	208
Magnetic	208
Touch	208

WINDOW LOCKS

WINDOW	
Cube Lock - Window Restrictor	210-218
Window Handle - Crittall Type	219
Bolts	220-221
Anti Tamper Locking Window Restrictor	222
Window Winder	223
Trickle Vents	223

BOXES

KEY CABINETS	
Range from 20 keys to 1170 keys	226-227
Red Deposit Keys Cabinets	226
SAFES	
High Security Electronic	228
Hotel Digital	228
Economy Digital	228
Key Operated	228
Petty Cash Boxes	228
Digital Key Safe	229
CIGARETTE BINS	
Floor Mounted	230
Wall Mounted	231
PARCEL DROP BOX	
Wall and Floor Mounted	232-238
In Wall Fitted	237

CYLINDERS

CYLINDER RANGE INDEX	
5 PIN ECONOMY	
Profile - Single, Doubles, Cylinder and Turn	244-245
UK Oval- Single, Doubles, Cylinder and Turn	245-246
Rim	247
Components to suit	247
5 PIN ARCHITECTURAL	
Profile - Single, Doubles, Cylinder and Turn	248-250
UK Oval- Single, Doubles, Cylinder and Turn	250-251
Rim	252
Threaded Rim	252
Profile - Bathroom Release and Thumbturn	253
Profile - Thumbturn Only	253
Construction Key Budget Cylinder insert	254
Components to suit	254
6 PIN CYLINDERS BS KITEMARKED	
Profile - Single, Doubles, Cylinder and Turn	255-256
Rim	256
Threaded Rim	256
Components to suit	256
10 PIN CYLINDERS RESTRICTED KEY	
Profile - Single, Doubles, Cylinder and Turn	258-259
UK Oval- Single, Doubles, Cylinder and Turn	260
Scandinavian Oval - Single, Doubles	261
Rim	262
Components to suit	262

CONTINUED OVER...

CYLINDERS CONTINUED...

15 PIN PATENTED CYLINDERS

Profile – Single, Doubles, Cylinder and Turn	264-265
Rim	265
Components to suit	266
KEY BLANKS	267
GENERAL COMPONENTS	268-269

TRIM ACCESSORIES

DOOR VIEWER

Standard	272
Electronic	273

BOLTS

Mortice lever action radius and square flush bolt	274
Mortice lever action flush bolts abuse protectors	275
Surface lever action bolt	276
Metal Door lever action flush bolt	277
Sockets and strikes to suit bolts	277
Automatic Flush Bolts and Sockets	278
Surface Bolts	279

DOOR HOLDERS

Magnetic	279
Friction	279

DOOR LIMITERS SECURITY

Door Chains, surface and concealed	280
Door Guards	280

FIRE RATED SSS LETTER PLATE SETS

Letter plate	281
Inner Tidy	281
Intumescent kits	281

DOOR STOPS

Floor Type	282
Wall Type	282
Buffered Type with and without hooks	282
Jamb Type	282

ACCESSORIES

Cylinder Pull	283
Handrail Bracket	283
Push Plates	283
Squash Court Handles	284
Automatic Door Bottom, Surface and Mortice	285
Fire Rated Vision Panels	286

DISABLED FITTINGS

STAINLESS STEEL

Grab Rails, straight and cranked	288-289
Standard Hinged Support Rails	288,291-292
Support Legged Hinged Support Rail	291
Friction Hinged Support Rail	292
Backrests	290
Folding Shower Seat	292
Doc M Packs	293-294

PROTECTIVE BOLLARDS

Stainless Steel or Colour Coated	295
----------------------------------	-----

WHITE AND COLOUR COATED

Grab Rails, straight and cranked	298-300
Standard Hinged Support Rails	296-297
Support Legged Hinged Support Rail	296
Hinged Support Rail Adapter Kit	297
Sprung Hinged Support Rail	297
Bath rails	301-302
Floor to ceiling poles	303
Stair Handrails	304
Modular Handrails	305
Folding Shower Seat	311-312
Doc M Packs	306-30

WASHROOM & BATHROOM FITTINGS

STAINLESS STEEL

Towel, Toilet Roll Dispenser	314-316
Soap Dispenser	317-318
Rails, Rings, Holders, Mirror, Shelves	319
Hotel equipment	320-324
Towel and Bin containers	325-326
Hand Dryer, Baby Change	327
Baby Change Units	331
Coat Hooks	328
Cloakroom	329

WHITE

Soap and Toilet Roll Dispenser	330
Curtain and Baby Change	331
Towel Dispenser and Hand Dryer	327
Multi Towel rail and Cabinet	333
Telescopic Rod and Curtain Track	334-335
Toilet Seat	336
Shower Seals	337

SIGNAGE

METAL

76mm Discs	340
Contract Door Signs	341
Contract General Signs	342
A Grade Bespoke	349

PLASTIC

Standard Fire Door Signs	343
Photoluminescent Fire Door Signs	344
Fire Exit Signs	345
Hospital Compliant Signage	346-347
Dementia Signage	348

KEY TO FINISHES

BE Beige	GS Gold Sprayed	SAA Satin Aluminium
BZP Bright Zinc Plated	GR Grey	SCP Satin Chrome Plated
BLK Black	GRE Green	SNP Satin Nickel Plated
BL Blue	MNP Matt Nickel Plated	SSS Satin Stainless Steel
BRZ Bronze	MC Matt Chrome	SILV Silver
BRN Brown	NP Nickel Plated	SE Silver Enamelled
CHR Chrome	PL Plastic	SG Silver Grey
CL Clear	PA Polished Aluminium	SILS Silver Sprayed
DB Dark Blue	PB Polished Brass	BRS Standard Brass
ELB Electric Blue	PCP Polished Chrome Plated	WG Wood Grain Effect
EB Electro Plated Brass	PNP Polished Nickel Plated	WHT White
FB Florentine Bronze	PSS Polished Stainless Steel	YEL Yellow
GAA Gold Anodised Aluminium	PZP Passivated Zinc Plated	ZP Zinc Plated
GAL Galvanised	RED Red	

KEY TO NEWSTAR SYMBOLS

CE CE Marked	FR 30 Fire Rating 30 minutes	2^W Warranties
DOP Declaration of Performance	FR 60 Fire Rating 60 minutes	5^W Warranties
EN European Norm	FR 90 Fire Rating 90 minutes	L^W Warranties
DOC M DOC M Compliant	Suitable for outdoor use	TS 001 Manufactured to meet the Door & Handle Federation specification TS 001
Suitable for Wet Areas	kg Maximum user weight (kg)	RAL RAL

KEY TO EUROSPEC FINISHES

B Black	PC Polished Chrome	SCP Satin Chrome
BSS Bright Stainless Steel	PB Polished Brass	SSS Satin Stainless Steel
EB Electro Brassed	PVD Stainless Brass	SV Silver
FB Florentine Bronzed	SAA Satin Anodised Aluminium	W White
JAP Black	SB Satin Brass	
NP Nickel Plate	SC Satin Chrome	

KEY TO OTHER EUROSPEC SYMBOLS

25 Year Guarantee	Secured by Design	BS EN12209 Building Hardware – Mechanically Operated Locks, Latches and Locking Plates
10 Year Guarantee	BS EN1634 Part1:2000	BS EN1303:2005 Building Hardware Cylinders for locks
5 Year Guarantee	Standard Security	BS EN1303: British/European standard requirements and testing methods covering cylinder locks
5 Years	High Security	
Kitemark	Maximum Security	
CE Marking		
Anti-bump – Unique anti-bump feature	Anti-Plug – Anti-plug pull features	Suitable for Commercial use
Anti-Drill – Hardened steel anti-drill pins, plugs & disc	Anti-Snap – Snap off front section (Sacrificial cut) anti-snap on both sides of unequal sized cylinders	Suitable for Domestic use
Anti-Pick – Special anti-pick pins	Break off System – Snap off front section	Suitable for Industrial use



DOOR CLOSERS



CONTENTS:

CONCEALED, POWER ADJUSTABLE BY VALVE

Heel type	
Single or Double Action	8-9
Overhead type	
Single or Double Action	10-12
Barymatic	
Single Action Only	13
Floor Spring	
Single or Double Action	14-16
Briton Retro Fit Kit	17
Pivot Protector	18

FIXED POWER

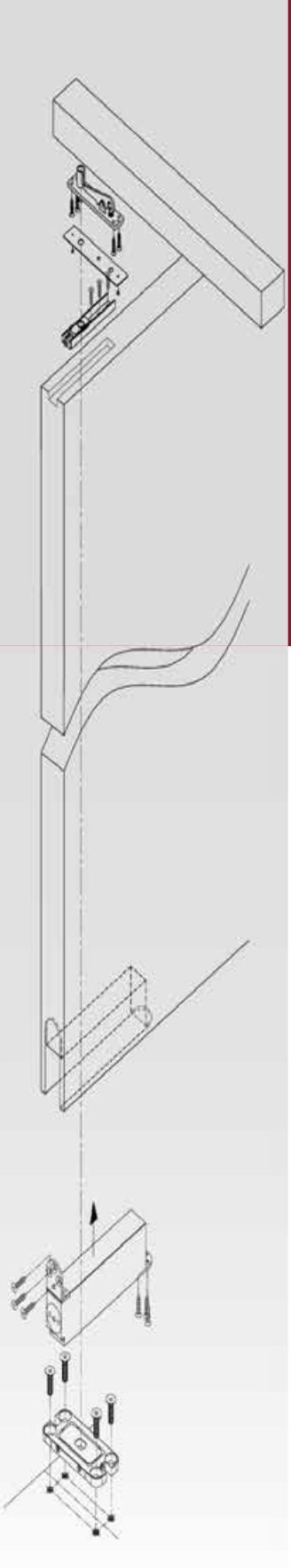
Transom	
Single or Double Action	19
SURFACE, POWER ADJUSTABLE BY VALVE	
Track Arm	20-23
V Arm	24-27
SLIDING	28

Bary Patented Concealed Double Action Closer

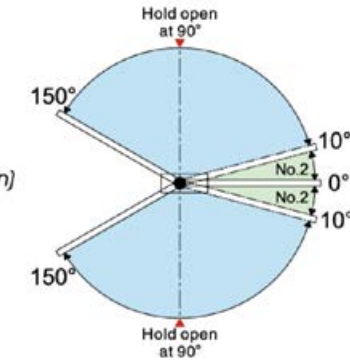


Code: NS.CID

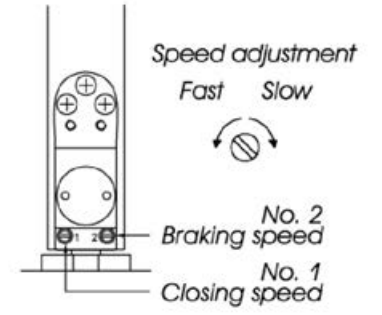
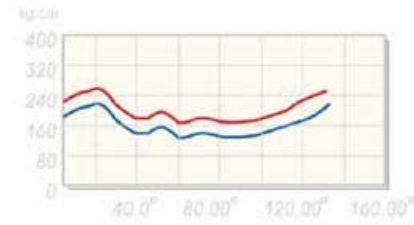
- Guarantee 5 years
- Quick and easy installation with smooth movement
- No need to have the pre-set on the floor
- Reduce the installation time and cost
- Smooth movement
- Easy installation with base seat adjustable backward and forward, left and right and alignment adjustment
- A double action door closer with no need to cut out the concrete floor
- Single or double action
- Non hold open as standard – hold open to order



- Max. opening angle: 150° for left and right opening (double action)
- Hold open at 90°; non hold open as optional



- With high efficiency over 70%, light opening yet with smooth closing



- Two speed adjustment - Closing speed (150° ~ 10°) Braking speed (10° ~ 0°)

DATA & FEATURES:

	001	002
Variable closing force Standard doors	≤ 950mm	≤ 1250mm
Suitable door thickness	≥ 40mm	≥ 50mm
Body Dimension (Length x Wide x Projection)	181 x 56 x 32 (mm)	184 x 64 x 42 (mm)
Spring Strength (EN)	60kg	100kg
Angle of opening	150°	150°
Closing speed adjustable	150 ° ~ 10°	150° ~ 10°
Braking speed adjustable	10 ° ~ 0°	10° ~ 0°
Non-handed	P	P
With cover	P	P
Guarantee/years	5 years	5 years

USAGE:

Single, double action, standard or fire doors. (Intumescent required)

MATERIAL:

Aluminium, stainless steel, steel

FINISHES:



FIXINGS:

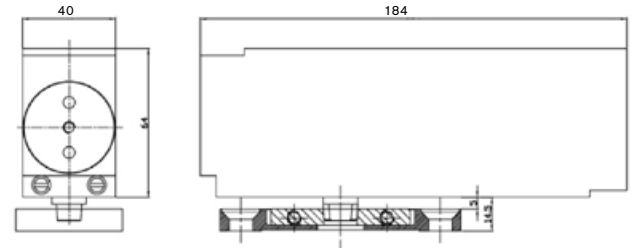
Wood screw

DECLARATION OF PERFORMANCE:

021CPR2013-07-03

NOTE:

BS EN 1634-1:2014 60 mins
 BS EN 1361-1:2014
 Intumescent pack available ex-stock
 Code: NS.CID001.INT
 NS.CID002.INT

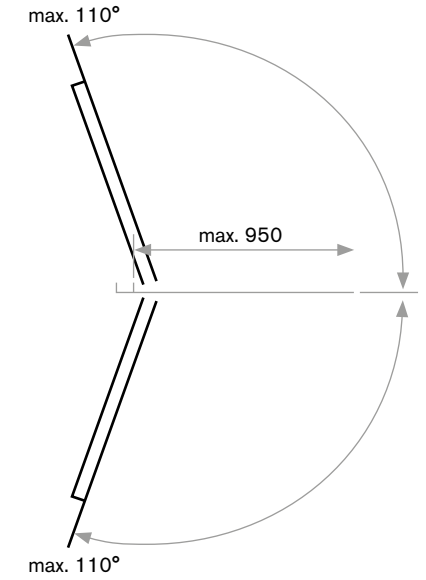
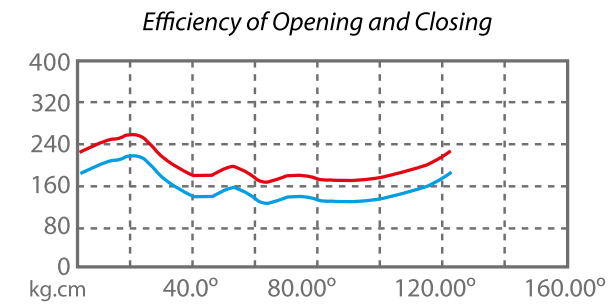


Bary Cam Adjustable Double Action Door Closer



Code: CL-144.DA

- Double action door closer that fits in the top of the door and is fully concealed
- Suitable for use on refurbishments or projects when there is not enough room to fit a floor spring
- For use with double action pivot, fitting instructions are shown with our double action pivot C-4-C (page 31)



DATA & FEATURES:

SIZES	2	3	4
Variable closing force Standard doors	≤ 850mm	≤ 950mm	≤ 1100mm
Spring Strength (EN)	≥ 40kg	≤ 60kg	≥ 80kg
Body Dimension (Length x Height x Projection)	210 x 53.5 x 32 (mm)		
Double Action	Yes		
Angle of opening	120°		
Power adjustable by spring	2 - 4		
Sweep speed adjustable	Yes		
Latching speed adjustable	Yes		
Application	Regular	Yes	
	Transom	Yes	
Guarantee/years	10 years		

USAGE:

Double action doors, standard or fire rated. (Intumescent required)
Ref 144

MATERIAL:

Steel, Aluminium

FIXINGS:

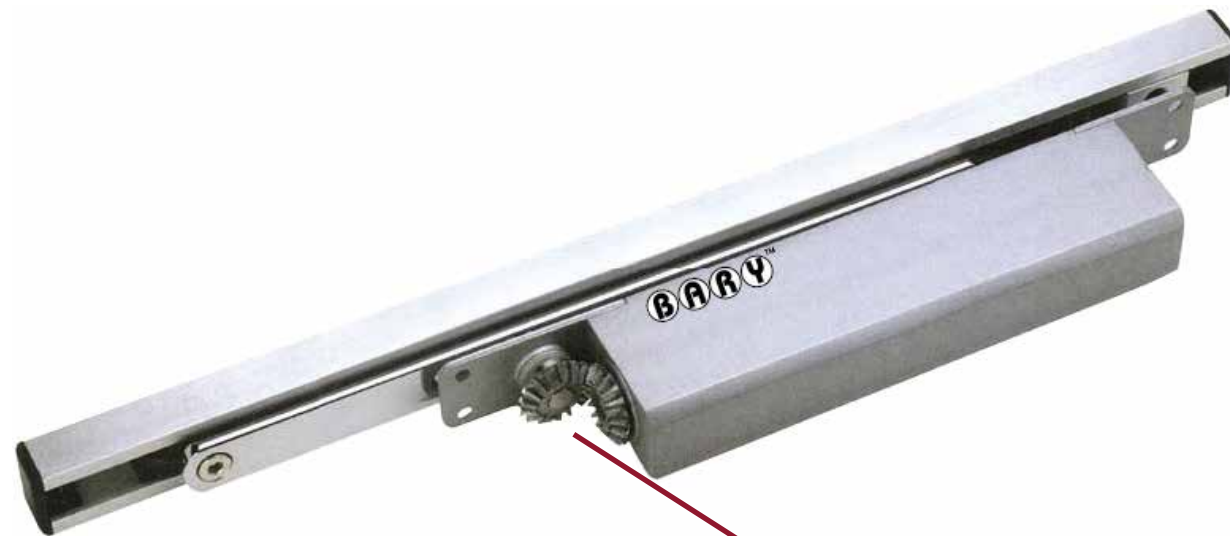
Wood screw
Track arms come with hold open devices as standard. Must not be used on fire doors.

DECLARATION OF PERFORMANCE:

023CPR2013-07-01

NOTE:

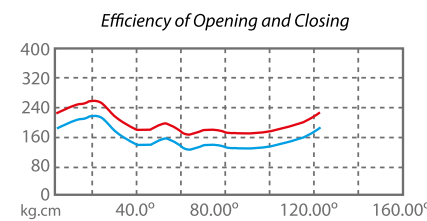
BS EN 1634-1:2000 60mins
Code CL-144.DA.COMPLETE
includes pivot set C-4-C
Intumescent pack available ex-stock. Code: 144



Bary Cam Adjustable Single Action Concealed Door Closer



Code: CL-144



DATA & FEATURES:

SIZES	2	3	4
Variable closing force Standard doors	≤ 850mm	≤ 950mm	≤ 1100mm
Spring Strength (EN)	≥ 40kg	≤ 60kg	≥ 80kg
Body Dimension (Length x Height x Projection)	210 x 53.5 x 32 (mm)		
Double Action		Yes	
Angle of opening		120°	
Power adjustable by spring		2 - 4	
Sweep speed adjustable		Yes	
Latching speed adjustable		Yes	
Application	Regular	Yes	
	Transom	Yes	
Guarantee/years		10 years	

USAGE:

Single action doors, standard or fire rated. (Intumescent required)

Ref 144

4	8	3	1	1	3
---	---	---	---	---	---

MATERIAL:

Steel, Aluminium

FIXINGS:

Wood screw
Track arms come with hold open devices as standard. Must not be used on fire doors.

DECLARATION OF PERFORMANCE:

004CPR2013-07-12

NOTE:

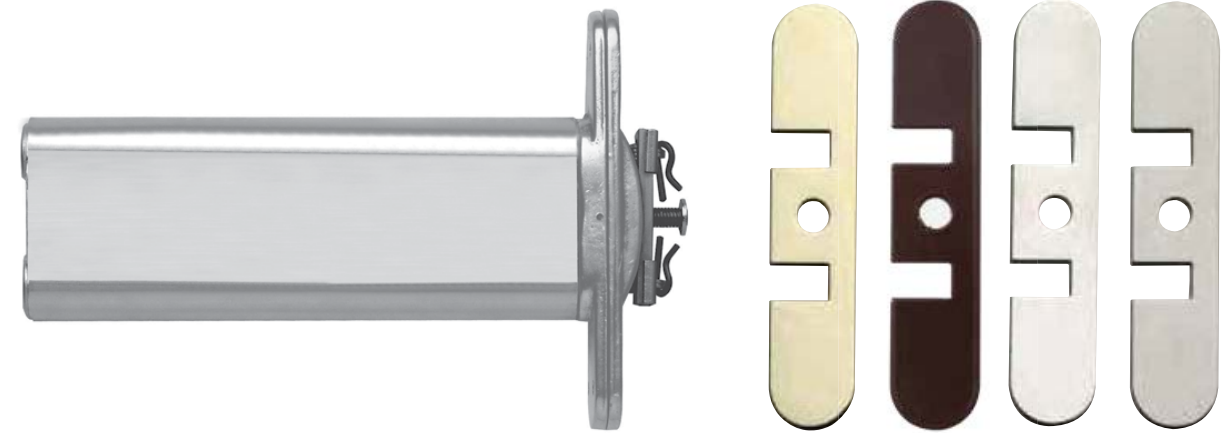
BS EN 1634-1:2014 60 mins
BS EN 1363-1:2012
Double swing application available (Pg 10-11)
Intumescent pack available ex-stock
Code: CL-144

Barymatic Jamb Closer

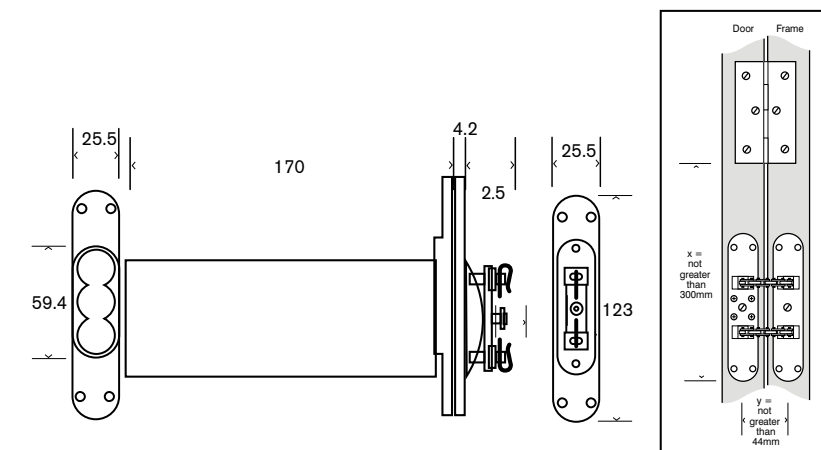


Code: B1

Code: B1.COVER



DIMENSIONAL DRAWING:



USAGE:

Residential application
Fire door (Intumescent available)
Code: B1

MATERIAL:

Steel, Brass

FINISHES:

Standard



Plates available



FIXINGS:

Wood screws

DECLARATION OF PERFORMANCE:

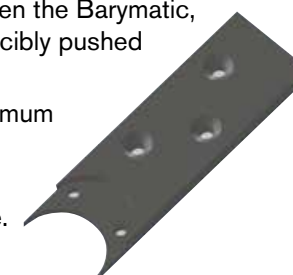
005CPR2013-07-01

NOTE:

BS EN 1634-1:2000 30 & 60 mins
Coverplates ordered separately
Intumescent pack available ex-stock

Concealed Door Closer Mending Plate Code: B1.MP

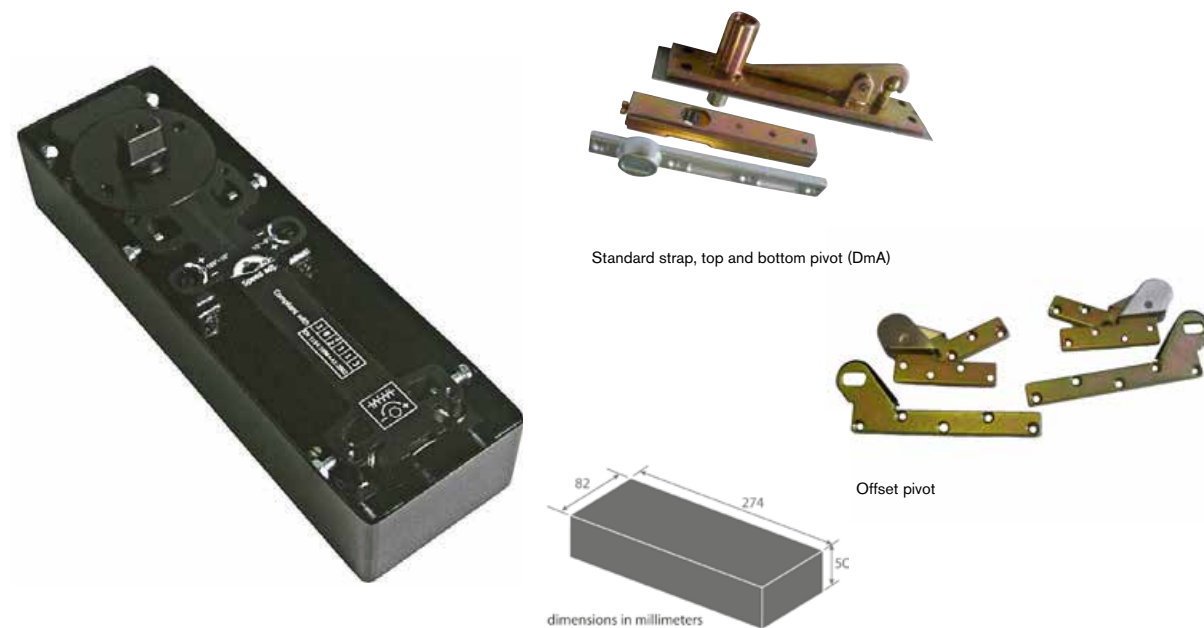
- Designed to repair a damaged door when the Barymatic, Perkomatic or Powermatic has been forcibly pushed beyond its maximum opening angle.
- Manufactured in stainless steel for maximum strength and durability.
- Sold in pairs, these are a particularly neat way of covering up the door damage.



Power Adjustable Double & Single Action Floor Springs

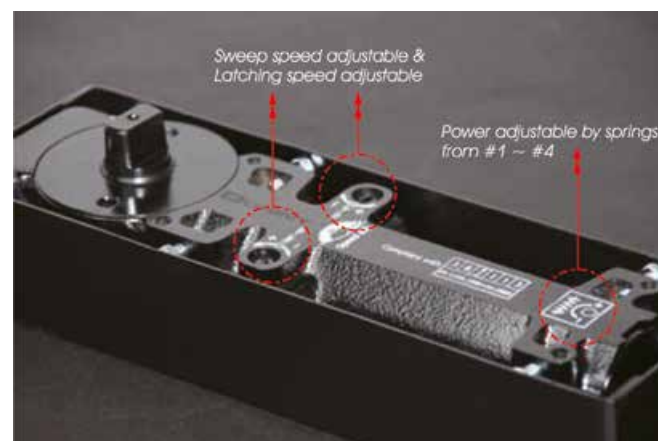


Code: PA322



DATA & FEATURES:

SIZES	1	2	3	4
Variable closing force Standard doors	≤ 750mm	≤ 850mm	≤ 950mm	≤ 1100mm
Spring Strength (EN)	≥ 80kg	≥ 100kg	≤ 150kg	≥ 200kg
Body Dimension (Length x Height x Depth)	274 x 50 x 82 (mm)			
Double Action		Yes		
Angle of opening		160°		
Power adjustable by springs from #1 ~ #4		Yes		
Sweep speed adjustable		Yes		
Latching speed adjustable		Yes		
Single Action handed		Yes		
Guarantee/years		10 years		



USAGE:

Commercial single & double action doors

MATERIAL:

Steel

FINISHES:

SSS

FIXINGS:

Wood screw

DECLARATION OF PERFORMANCE:

007CPR2013-07-01

NOTE:

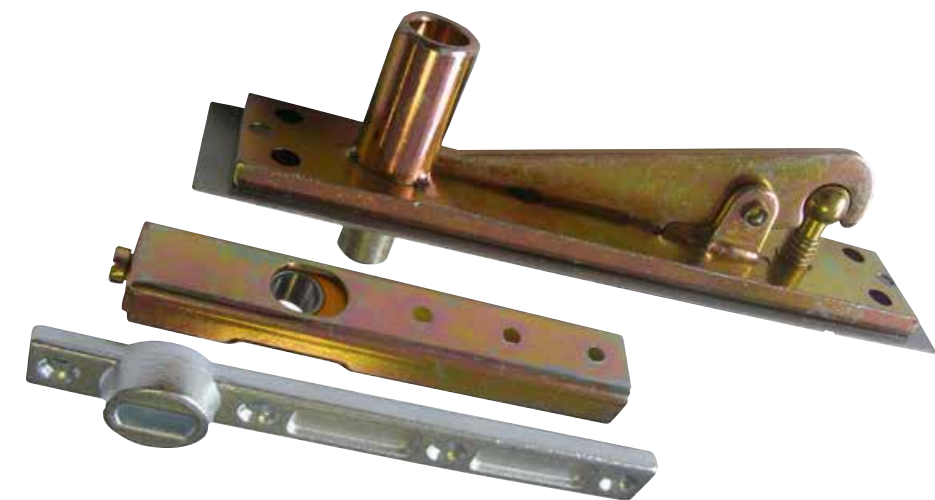
BS EN1634-1:2000 60 mins

CODES:

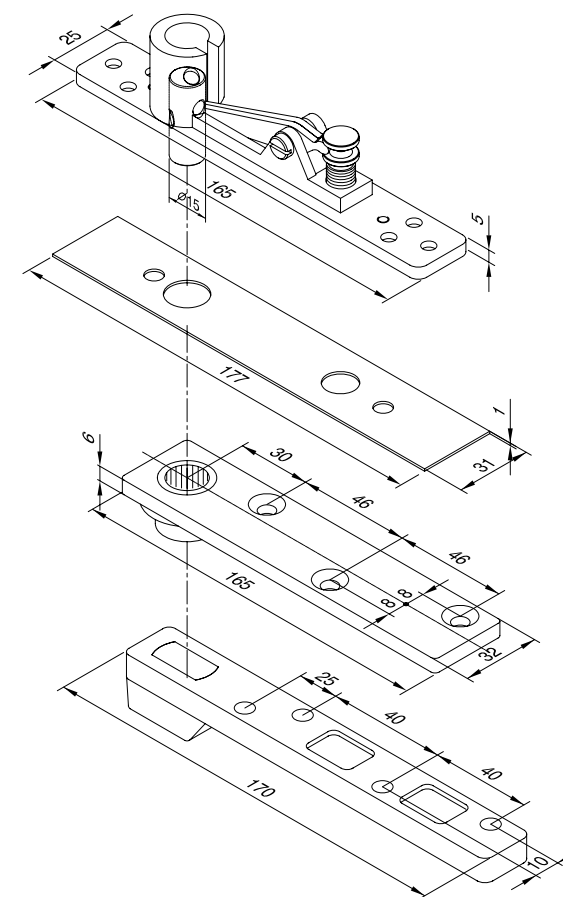
PA322.DA.SSS
PA322.SA.LH.SSS
PA322.SA.RH.SSS

Double Action Accessory Packs

Code: DA.AP



DIMENSIONAL DRAWING:



USAGE:

Heavy duty doors 200kg max
Accompanied PA322 & C-9-C

MATERIAL:

Steel

FINISHES:

SSS

FIXINGS:

Wood & metal screws

NOTE:

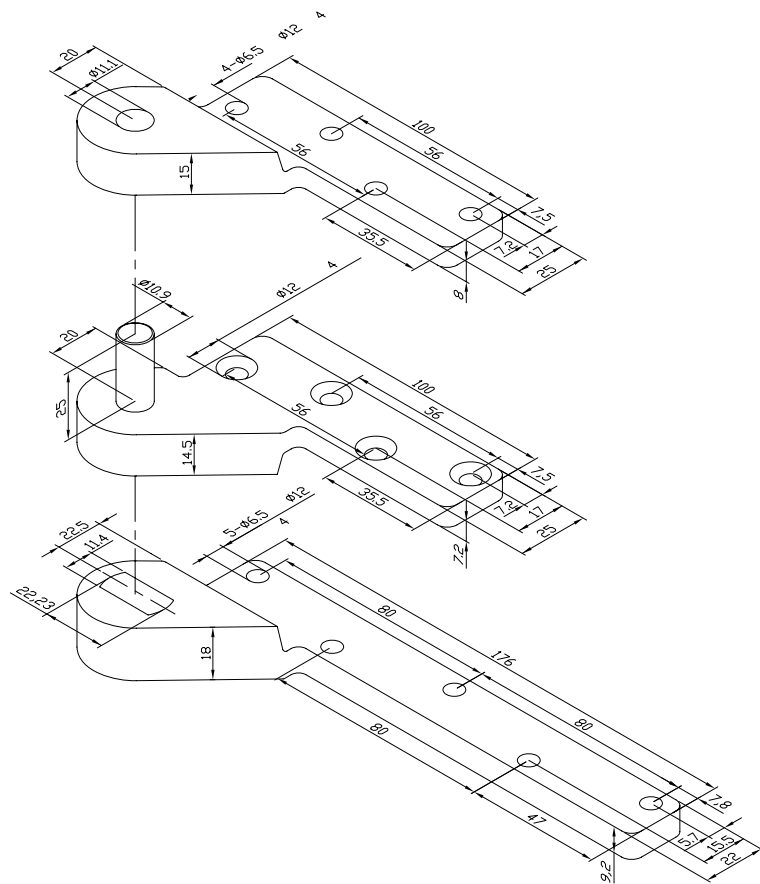
BS EN 1634-1:2000 60 mins
When fitted with the PA322 floor spring

Single Action Accessory Packs

Code: SA.AP



DIMENSIONAL DRAWING:



USAGE:

Heavy duty doors 150kg max
Accompanied PA322 & C-9-C

MATERIAL:

Steel

FINISHES:



FIXINGS:

Wood & metal screws

NOTE:

BS EN 1634-1:2000 60 mins
When fitted with the PA322
floor spring

CODES:

SA.APL.SSS

DA.APR.SSS

L = Clockwise closing

R = Anti-clockwise closing

Retro-Fit Briton Floor Spring Replacement Casing To Suit Current Units

Code: FS.AP
Code: FS.AP.EMHO

- Suitable for standard and EMHO units
- When your Briton floor spring no longer works, this casing will convert other floor spring units to fit in the opening.
- Designed specifically to repair existing Briton 7000 and 7903/6 series Floor Springs
- Also fits other obsolete floor springs that are no longer commercially available
- Adaptor plate fits over replacement floor spring
- Can be used in association with Newstar and other spring units
- Fits directly into existing cemented-in box of the Briton Floor Spring, avoiding the need for costly removal and replacement
- Supplied complete with a Briton adapter spindle avoiding the need to replace the existing strap/shoe on the door
- Labour cost and time of repairing Briton Floor Spring is significantly reduced
- Floor spring unit not included



Briton Floor Spring Replacement Top Centre Strap

Code: NS.322TU

- Designed to replace a worn Briton Floor Spring top-centre strap
- Manufactured in stainless steel for durability with replaceable pivot bearing
- Fixing holes are purposely at different centres to the original to facilitate improved fixings rather than attempting to secure through original holes



Heavy Duty Cover Plate for Floor Springs

Code: NS.322TP

- Replaces a damaged floor spring cover plate with heavy duty plate
- Manufactured in stainless steel for durability



Patented Pivot Protector



Damage brought about by abuse



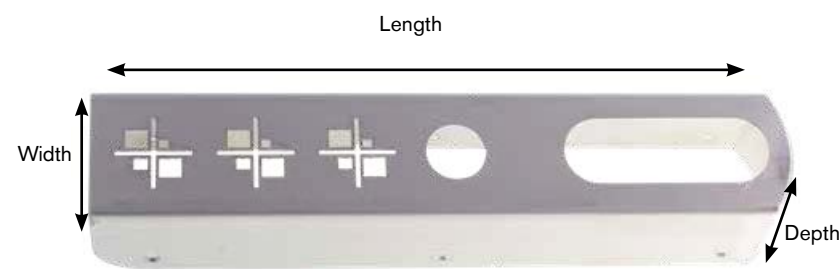
Simple but effective solution



DATA & FEATURES:

Available in standard sizes shown; custom sizes available to order

CODE		Length x Width x Depth (mm)					
		A	B	C	D	E	F
NS.44	Standard 44mm Stock Sizes	300 x 44 x 40	300 x 44 x 60	300 x 44 x 100	300 x 44 x 150	400 x 44 x 125	
NS.54	Standard 54mm Stock Sizes	255 x 54 x 40	300 x 54 x 60	300 x 54 x 100	300 x 54 x 150	400 x 54 x 100	400 x 54 x 175
NS.49	Standard Other Sizes	150 x 44 x 60	150 x 54 x 60	300 x 40 x 60	300 x 60 x 60	225 x 46 x 40	225 x 57 x 40



APPLICATION:

- Protects against damage, or repairs existing damage, at the pivot point on timber double swinging doors
- Fits over the top and bottom pivot points without compromising pivot function
- Reduces maintenance costs and cost of replacing damaged doors
- Proven to extend the durability of a pivoting timber door
- Fire tested to BSEN1634 at 30 minutes and 60 minutes

FEATURES:

- Manufactured in high strength stainless steel for durability
- Allows easy adjustment of fittings such as automatic closer where used
- Quick and easy to fit saving time and resources; may be retro-fitted to existing doors or pre-fitted to new doors
- As standard in satin stainless steel; available in polished stainless steel, brass, polyester powder-coated finish and RAL colour finish to order
- Custom sizes to order

Fixed Power Transom Door Closer Side Load



Code: C-103 | CS-103 | C-104 | CS-104



Top and bottom pivot



Screw pack for fixing bracket



Screw pack for side-load top arm and channel



Screw pack for side-load bottom pivot

DATA & FEATURES:

SIZES		3	4
Variable closing force Standard doors		≤ 950mm	≤ 1100mm
Spring Strength (EN)		≤ 105kg	≤ 150kg
Arm	Standard	without hold-open	C - 103
		with build in hold-open at 90°	CS - 103
Body Dimension (Length x Height x Projection)		271 x 87 x 40 (mm)	
Double-action		Yes	
Angle of opening		130°	
Sweep speed adjustable		Yes	
Latching speed adjustable		Yes	
Back-check	Self-regulating	No	
	Adjustable at valve	○	
Delayed action adjustable		○	
Non-handed		Yes	
Guarantee/years		10 years	

USAGE:

Single & double action application
Standard

4	8	3+4	0	1	3
---	---	-----	---	---	---

MATERIAL:

Zinc Diecast

FIXINGS:

Metal screws

DECLARATION OF PERFORMANCE:

C - 103	005CPR2013-07-01
CS - 103	024CPR2013-07-01
C - 104	025CPR2013-07-01
CS - 104	026CPR2013-07-01

NOTE:

Non fire rated

Top plate for wood fixings available

Code: TP.TRANSOM.SSS

Power Adjustable Bary Track Arm Door Closer



Code: SL-144

- The unique **BARY**™ gearing enables this track arm closer to offer the same performance as a cam action closer.



DATA & FEATURES:

SIZES	2	3	4
Variable closing force Standard doors	≤ 850mm	≤ 950mm	≤ 1100mm
Spring Strength (EN)	≤ 40kg	≤ 60kg	≤ 80kg
Arm Track without hold-open	SL-144		
Body Dimension (Length x Height x Projection)	210 x 53.5 x 32 (mm)		
Double Action	Yes		
Rack and pinion	Yes		
Power shoe arm bracket	Yes		
Angle of opening	120°		
Power adjustable by spring	Yes		
Sweep speed adjustable	Yes		
Latching speed adjustable	Yes		
Non-handed	Yes		
With cover	Yes		
Application	Regular	Yes	
	Transom	Yes	
Guarantee/years	10 years		

USAGE:

Internal & external doors for use by the public

Standard

3	8	4/2	1	1	3
---	---	-----	---	---	---

MATERIAL:

Aluminium, Steel

FINISHES:



FIXINGS:

Wood screws

DECLARATION OF PERFORMANCE:

002CPR2013-07-01

NOTE:

BS EN 1634-1:2000
30 + 60 mins

Power Adjustable Track Arm Door Closer



Code: EN25.TA



DATA & FEATURES:

SIZES	2	3	4	5
Variable closing force Standard doors	≤ 850mm	≤ 950mm	≤ 1100mm	≤ 1250mm
Spring Strength (EN)	≤ 40kg	≤ 60kg	≤ 80kg	≤ 100kg
Arm Track without hold-open	EN25			
Body Dimension (Length x Height x Projection)	236 x 60 x 39 (mm)			
Rack and pinion	Yes			
Power shoe arm bracket	Yes			
Angle of opening	180°			
Power adjustable by spring	Yes			
Power adjustable by position	No			
Sweep speed adjustable	Yes			
Latching speed adjustable	Yes			
Back-check Adjustable at valve	Yes			
Delayed action adjustable	Yes			
Non-handed	Yes			
With cover	Yes			
Application	Regular	Yes		
	Parallel arm	Yes		
	Transom	Yes		
Guarantee/years	10 years			

USAGE:

Internal & external doors for use by the public

Standard

3	8	5/2	1	1	3
---	---	-----	---	---	---

MATERIAL:

Aluminium, Steel

FINISHES:



FIXINGS:

Wood screws

DECLARATION OF PERFORMANCE:

002CPR2013-07-01

NOTE:

BS EN 1634-1:2000
60 mins
Hold open, track arm and parallel arm bracket available

Power Adjustable Track Arm Door Closer

Code: SL.EN25.BC/DA.TA



DATA & FEATURES:

SIZES	2	3	4	5
Variable closing force Standard doors	≤ 850mm	≤ 950mm	≤ 1100mm	≤ 1250mm
Spring Strength (EN)	≤ 40kg	≤ 60kg	≤ 80kg	≤ 100kg
Arm Track without hold-open	EN25			
Body Dimension (Length x Height x Projection)	236 x 60 x 39 (mm)			
Rack and pinion	Yes			
Power shoe arm bracket	Yes			
Angle of opening	180°			
Power adjustable by spring	Yes			
Power adjustable by position	No			
Sweep speed adjustable	Yes			
Latching speed adjustable	Yes			
Back-check Adjustable at valve	Yes			
Delayed action adjustable	Yes			
Non-handed	Yes			
With cover	Yes			
Application	Regular	Yes		
	Parallel arm	Yes		
	Transom	Yes		
Guarantee/years	10 years			

USAGE:

Internal & external doors for use by the public

Standard

3	8	5/2	1	1	3
---	---	-----	---	---	---

MATERIAL:

Aluminium, Steel

FINISHES:



FIXINGS:

Wood screws

DECLARATION OF PERFORMANCE:

020CPR2013-07-01

NOTE:

BS EN 1634-1:2000

60 mins

Hold open, track arm and parallel arm bracket available



Power Adjustable Track Arm Door Closer

Code: EN24.TA



DATA & FEATURES:

SIZES	2	3	4
Variable closing force Standard doors	≤ 850mm	≤ 950mm	≤ 1100mm
Spring Strength (EN)	≤ 40kg	≤ 60kg	≤ 80kg
Arm Track without hold-open	EN24		
Body Dimension (Length x Height x Projection)	220 x 59 x 42 (mm)		
Rack and pinion	Yes		
Power shoe arm bracket	Yes		
Angle of opening	180°		
Power adjustable by spring	Yes		
Sweep speed adjustable	Yes		
Latching speed adjustable	Yes		
Back-check Adjustable at valve	Option		
Delayed action adjustable	Option		
Non-handed	Yes		
With-handed	Yes		
Application	Regular	Yes	
	Parallel arm	Yes	
	Transom	Yes	
Guarantee/years	10 years		

USAGE:

Residential & commercial doorsets Standard

4	8	4/2	1	1	3
---	---	-----	---	---	---

MATERIAL:

Zinc diecast & steel

FINISHES:



FIXINGS:

Wood screws

DECLARATION OF PERFORMANCE:

001CPR2013-07-01

NOTE:

BS EN 1634-1:2000 60mins
Hold open, track arm and parallel arm bracket available

Power Adjustable By Valve Surface Overhead Door Closer

c/w Backcheck and delayed action



Code: EN25.BC/DA



DATA & FEATURES:

SIZES	2	3	4	5
Variable closing force Standard doors	≤ 850mm	≤ 950mm	≤ 1100mm	≤ 1250mm
Spring Strength (EN)	≤ 40kg	≤ 60kg	≤ 80kg	≤ 100kg
Arm Track without hold-open	EN25			
Body Dimension (Length x Height x Projection)	236 x 60 x 39 (mm)			
Rack and pinion	Yes			
Power shoe arm bracket	Yes			
Angle of opening	180°			
Power adjustable by spring	Yes			
Power adjustable by position	No			
Sweep speed adjustable	Yes			
Latching speed adjustable	Yes			
Back-check Adjustable at valve	Yes			
Delayed action adjustable	Yes			
Non-handed	Yes			
With cover	Yes			
Application	Regular	Yes		
	Parallel arm	Yes		
	Transom	Yes		
Guarantee/years	10 years			

USAGE:

Internal & external doors for use by the public

Standard

3	8	5/2	1	1	3
---	---	-----	---	---	---

MATERIAL:

Aluminium, Steel

FINISHES:



FIXINGS:

Wood screws

DECLARATION OF PERFORMANCE:

002CPR2013-07-01

NOTE:

BS EN 1634-1:2000
60 mins

Hold open, track arm and parallel arm bracket available

Power Adjustable By Valve Surface Overhead Door Closer

Code: SL.EN25.BC/DA



DATA & FEATURES:

SIZES	2	3	4	5
Variable closing force Standard doors	≤ 850mm	≤ 950mm	≤ 1100mm	≤ 1250mm
Spring Strength (EN)	≤ 40kg	≤ 60kg	≤ 80kg	≤ 100kg
Arm Track without hold-open	EN25			
Body Dimension (Length x Height x Projection)	236 x 60 x 39 (mm)			
Rack and pinion	Yes			
Power shoe arm bracket	Yes			
Angle of opening	180°			
Power adjustable by spring	Yes			
Power adjustable by position	No			
Sweep speed adjustable	Yes			
Latching speed adjustable	Yes			
Back-check Adjustable at valve	Yes			
Delayed action adjustable	Yes			
Non-handed	Yes			
With cover	Yes			
Application	Regular	Yes		
	Parallel arm	Yes		
	Transom	Yes		
Guarantee/years	10 years			

USAGE:

Internal & external doors for use by the public

Standard

3	8	5/2	1	1	3
---	---	-----	---	---	---

MATERIAL:

Aluminium, Steel

FINISHES:



FIXINGS:

Wood screws

DECLARATION OF PERFORMANCE:

020CPR2013-07-01

NOTE:

BS EN 1634-1:2000
60 mins

Hold open, track arm and parallel arm bracket available

Power Adjustable Surface Overhead Door Closer



Code: EN24BC Backcheck



DATA & FEATURES:

SIZES	2	3	4
Variable closing force Standard doors	≤ 850mm	≤ 950mm	≤ 1100mm
Spring Strength (EN)	≤ 40kg	≤ 60kg	≤ 80kg
Arm Track without hold-open	EN24		
Body Dimension (Length x Height x Projection)	220 x 59 x 42 (mm)		
Rack and pinion	Yes		
Power shoe arm bracket	Yes		
Angle of opening	180°		
Power adjustable by spring	Yes		
Sweep speed adjustable	Yes		
Latching speed adjustable	Yes		
Back-check Adjustable at valve	Option		
Delayed action adjustable	Option		
Non-handed	Yes		
With-handed	Yes		
Application	Regular	Yes	
	Parallel arm	Yes	
	Transom	Yes	
Guarantee/years	10 years		

USAGE:

Residential & commercial doorsets
Standard

4	8	4/2	1	1	3
---	---	-----	---	---	---

MATERIAL:

Zinc diecast & steel

FINISHES:



FIXINGS:

Wood screws

DECLARATION OF PERFORMANCE:

001CPR2013-07-01

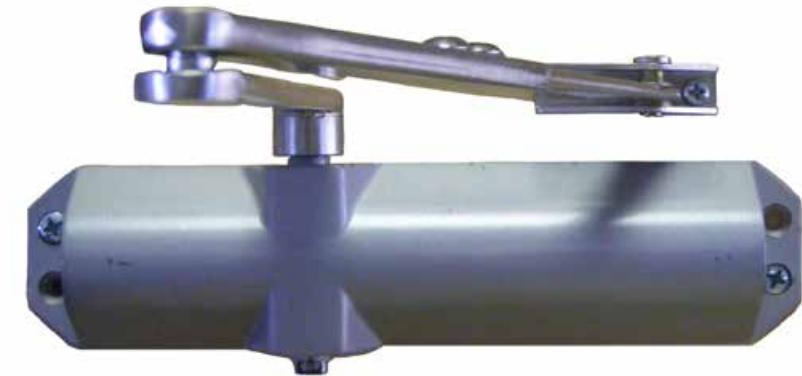
NOTE:

BS EN 1634-1:2000 60mins
Hold open, track arm and parallel arm bracket available

Power Adjustable Surface Overhead Door Closer



Code: EN24BC Backcheck



DATA & FEATURES:

SIZES	2	3	4
Variable closing force Standard doors	≤ 850mm	≤ 950mm	≤ 1100mm
Spring Strength (EN)	≤ 40kg	≤ 60kg	≤ 80kg
Arm Track without hold-open	EN24		
Body Dimension (Length x Height x Projection)	220 x 59 x 42 (mm)		
Rack and pinion	Yes		
Power shoe arm bracket	Yes		
Angle of opening	180°		
Power adjustable by spring	Yes		
Sweep speed adjustable	Yes		
Latching speed adjustable	Yes		
Back-check Adjustable at valve	Option		
Delayed action adjustable	Option		
Non-handed	Yes		
With-handed	Yes		
Application	Regular	Yes	
	Parallel arm	Yes	
	Transom	Yes	
Guarantee/years	10 years		

USAGE:

Residential & commercial doorsets
Standard

4	8	4/2	1	1	3
---	---	-----	---	---	---

MATERIAL:

Zinc diecast, Steel

FINISHES:



FIXINGS:

Wood screws

DECLARATION OF PERFORMANCE:

001CPR2013-07-01

NOTE:

BS EN 1634-1:2000
60 mins
Hold open, track arm and parallel arm bracket available

Overhead Sliding Door Closer

Code: TYPEIII

USAGE:
Light-weight doors in homes

MATERIAL:
Aluminium, Steel

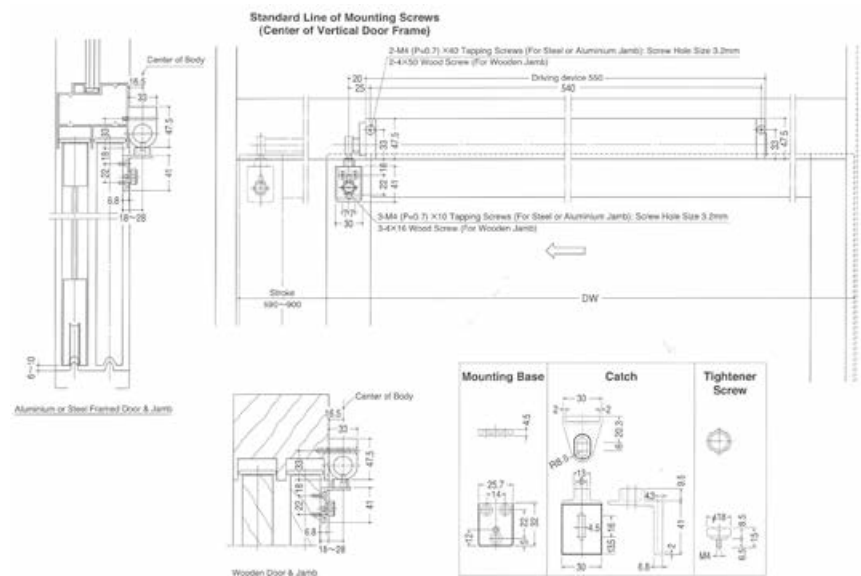
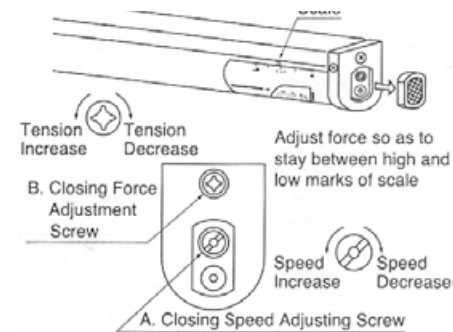
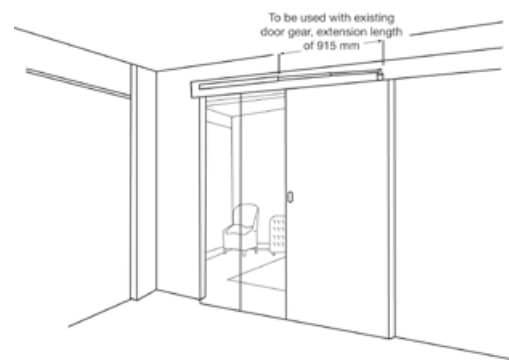
FINISHES:
SE

FIXINGS:
Wood screws

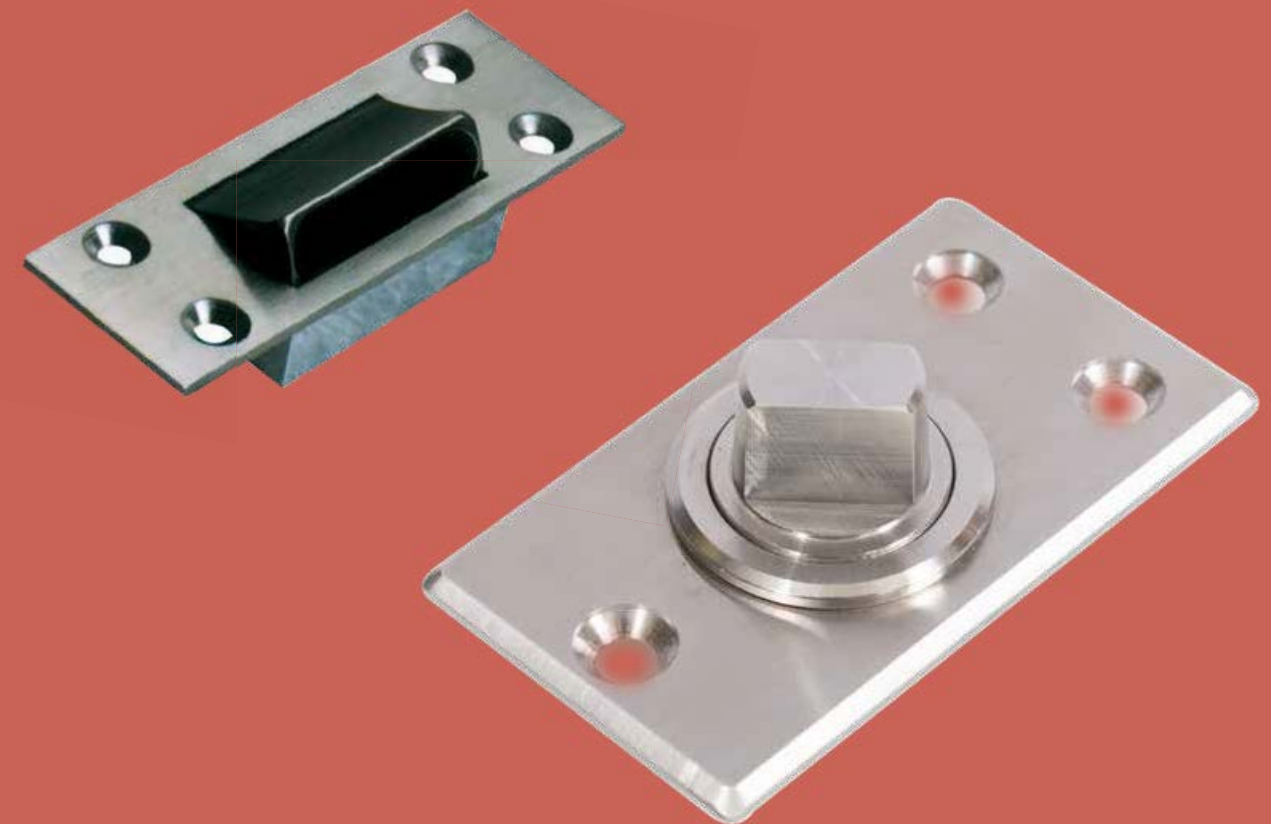
NOTE:
Max door weight 40kg



DIMENSIONAL DRAWING:



PIVOTS AND EMERGENCY RELEASE



CONTENTS:

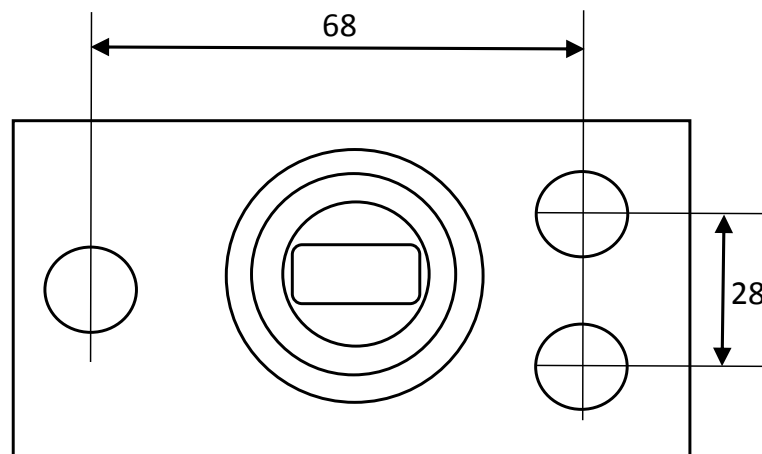
For use with Floor Spring Strap and Top Centre	30
For use with Emergency Release	31
Emergency Release	32-33
Double Action Strikes	34-36

Bottom Bearing Pivot

Code: C-9-C



DIMENSIONAL DRAWING:



USAGE:

High frequency commercial doorsets

MATERIAL:

Steel

FINISHES:

SSS

FIXINGS:

Wood screws

NOTE:

Capacity 80kg
For use with DA.AP & SA.AP

Double Action Pivot Set

Code: C-4-C



USAGE:

Ideal for hospitals/disabled toilets
Normally used in conjunction with the emergency release C-5-C or C-7-C

80kg weight carrying capacity

MATERIAL:

Steel, Zinc Diecast

FINISHES:

SSS

FIXINGS:

Wood screws

NOTE:

BS EN 1634-1:2000 30 mins

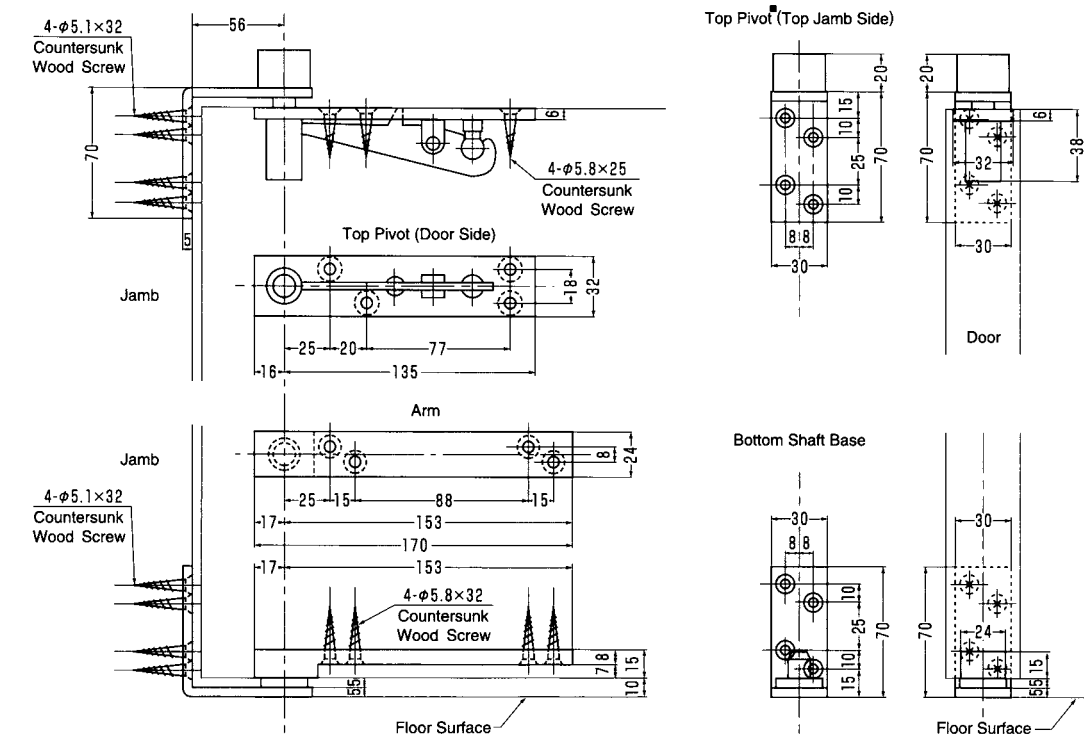
BS EN 1634-1:2014 60 mins

BS EN 1363-1:2012

Ball bearing component available separately

Code: C-4-C.BALLBEARING

DIMENSIONAL DRAWING:



Emergency Release



Code: C-5-C



USAGE:

Ideal for hospitals/disabled toilets
Acts as a frame stop to allow door to double swing
Use with C-4-C pivot

MATERIAL:

Stainless Steel

FINISHES:



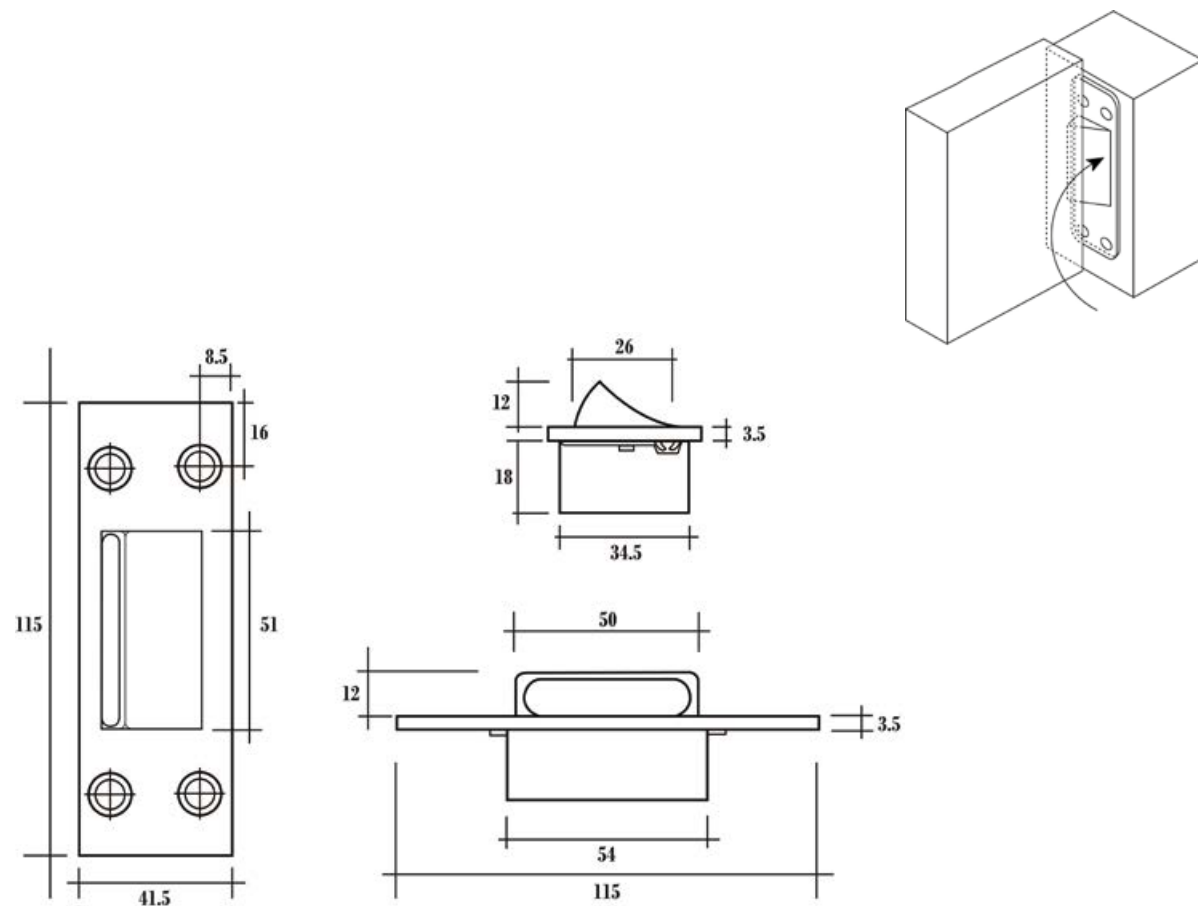
FIXINGS:

Wood screws

NOTE:

BS EN 1634-1:2014 60 mins
BS EN 1363-1:2012

DIMENSIONAL DRAWING:



Emergency Release Held In C-7-C Emergency Release Locked Open C-10-C



Code: C-7-C | C-10-C



USAGE:

Ideal for hospitals/disabled toilets
Acts as a frame stop to allow door to double swing
Use with C-4-C pivot

MATERIAL:

Stainless Steel

FINISHES:



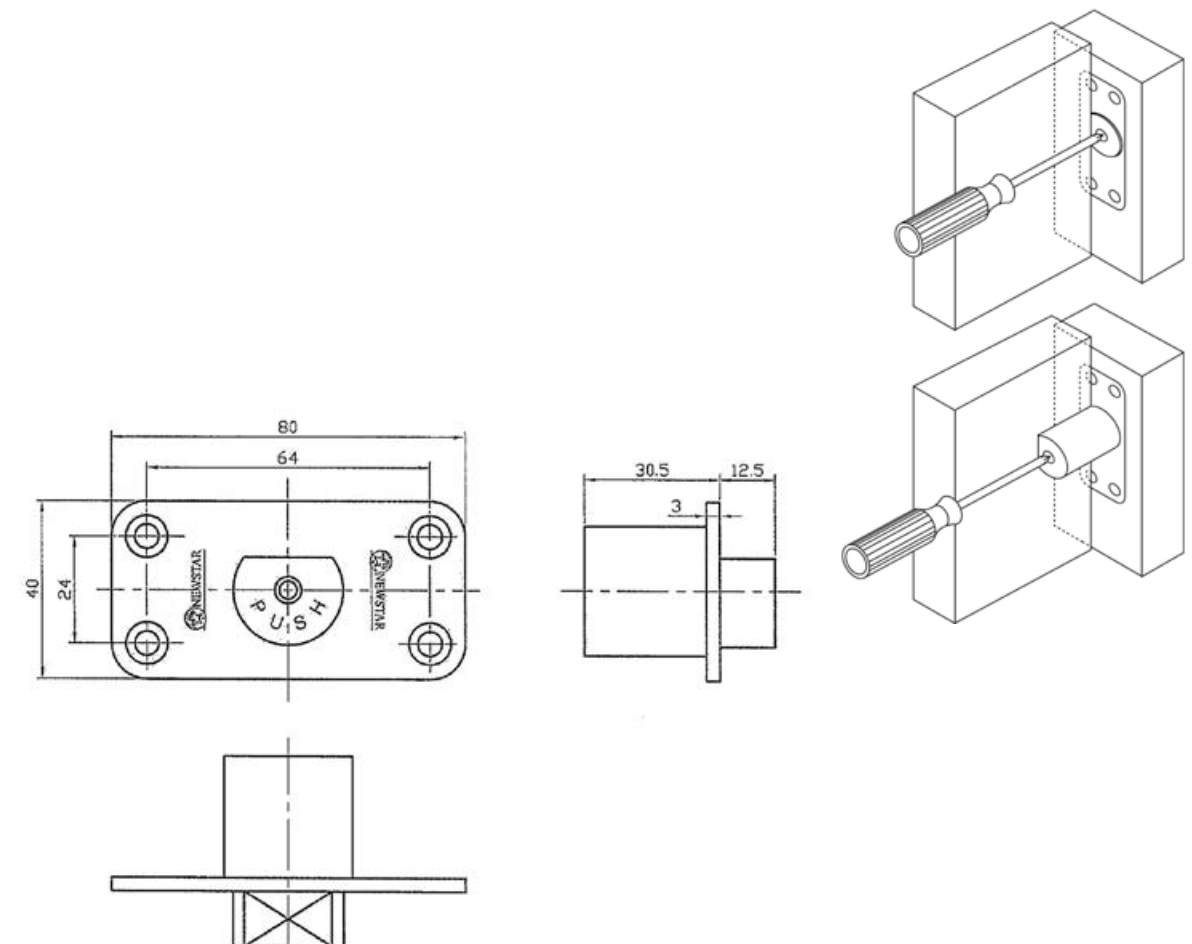
FIXINGS:

Wood screws

NOTE:

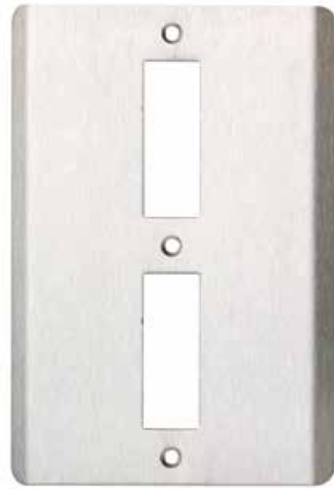
BS EN 1634-1:2014 60 mins
BS EN 1363-1:2012

DIMENSIONAL DRAWING:



Din Locks Double Action Strike Plate

Code: C-6-C



USAGE:

Double swing doors

MATERIAL:

Stainless Steel

FINISHES:



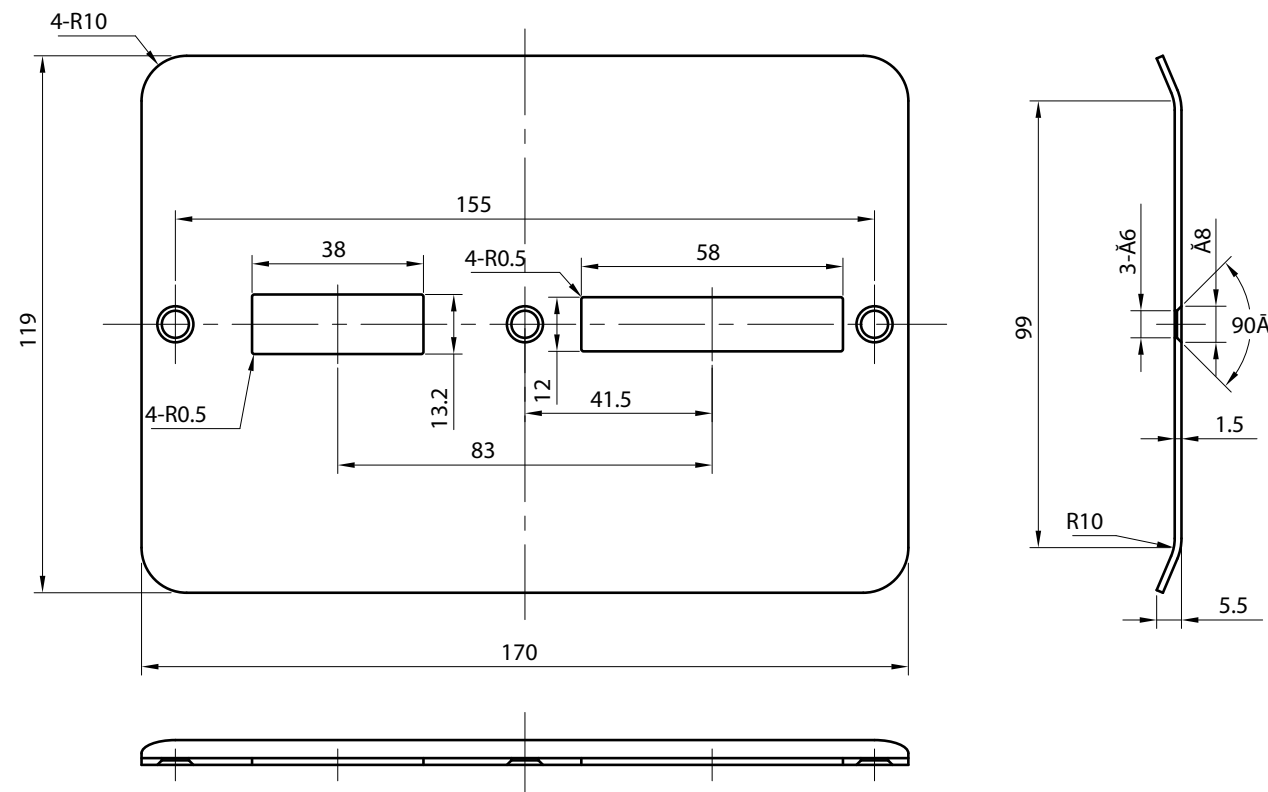
FIXINGS:

Wood screws

NOTE:

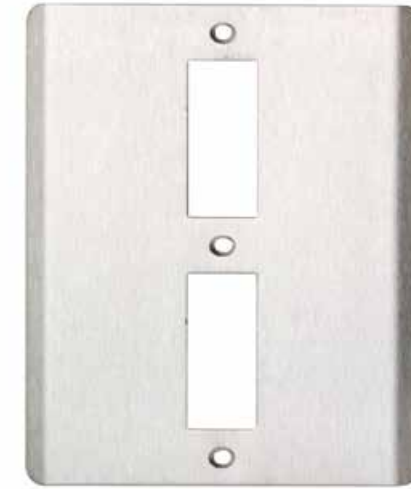
To suit lining 90-110mm

DIMENSIONAL DRAWING:



UK Locks Double Action Strike Plate

Code: C-8-C



USAGE:

Double swing doors

MATERIAL:

Stainless Steel

FINISHES:



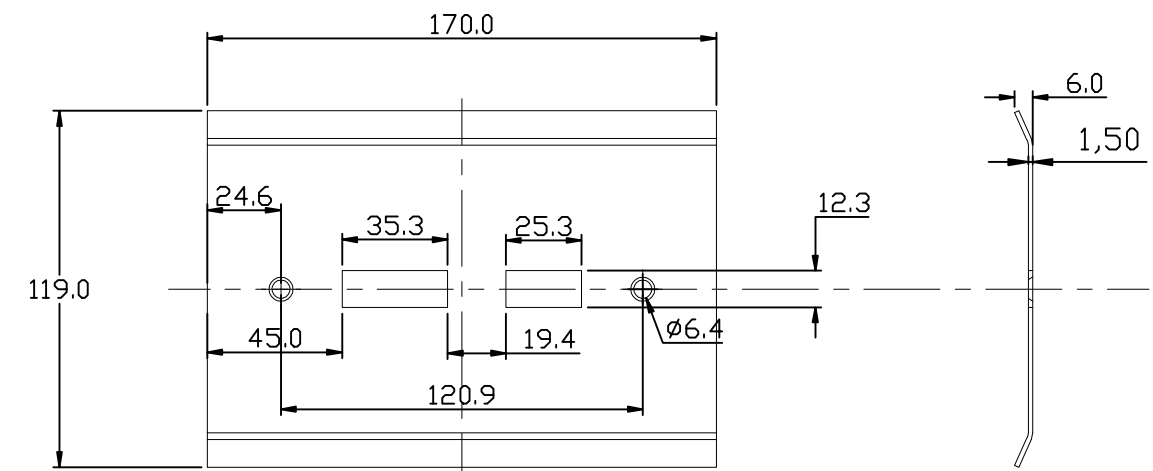
FIXINGS:

Wood screws

NOTE:

To suit lining 90-110mm

DIMENSIONAL DRAWING:



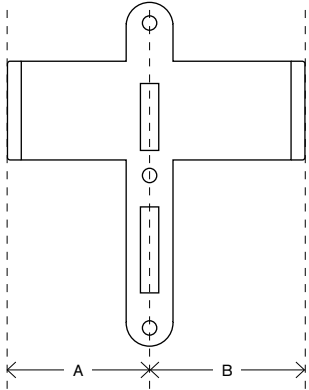
Standard Double Swing Door Strikes Made To Order



AVAILABLE FOR LININGS:

CODE	CENTRED A+B SIZE MM
C-6-115	115
C-6-130	130
C-6-145	145
C-6-150	150
C-6-175	175
C-6-195	195

Offset A and B to order



APPLICATION:

- Prevents the strike on a double-swinging door from damaging the door surround surface
- Manufactured in stainless steel for durability
- Available in any size to order
- Suitable for use with Dortrend Anti-Barricade emergency release door stop
- Also available as offset strike plate
- All made to order products are supplied to customers drawings and designs

STAYS & SELECTORS



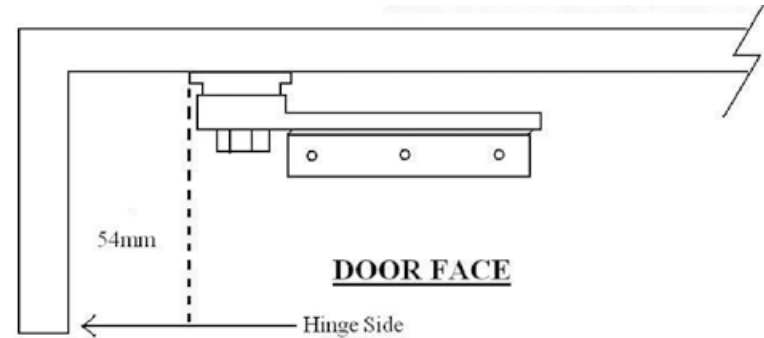
CONTENTS:

Surface Limiting Stay	38-39
Door Selector	40-41
Mortice Limiting Stay	42

Surface Limiting Stay

Code: 930001

- Surface limiting stay restricts the opening angle of doors and windows at 90°
- Also acts as a hold open device by manually tightening the nut connecting the arm



USAGE:

Limiting the opening angle of a door/window to 90 degrees

MATERIAL:

Zinc Diecast

FINISHES:



FIXINGS:

Wood screws

DECLARATION OF PERFORMANCE:

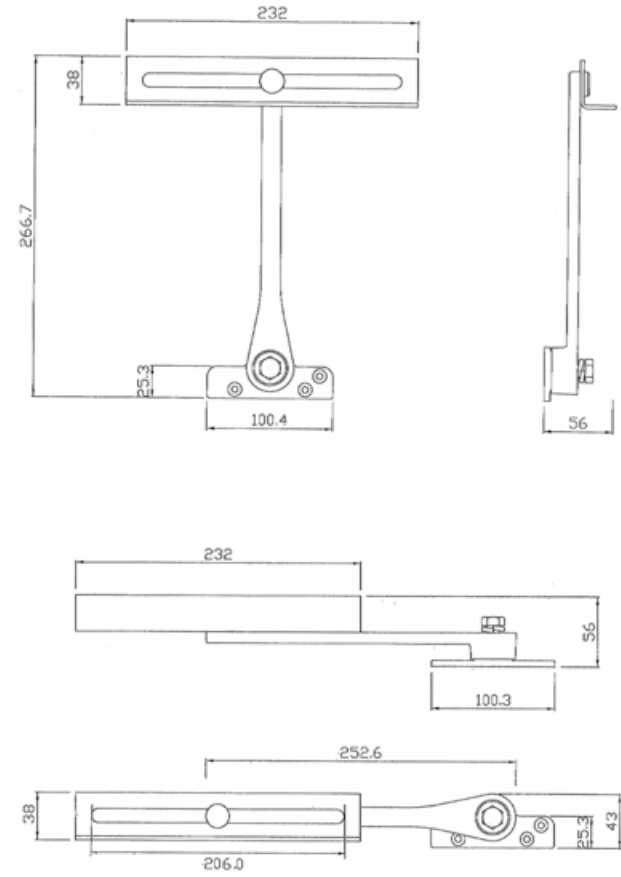
037CPR2013-07-01

NOTE:

BS EN 1634-1:2000 30mins
 Proposed Classification in accordance with DHF Technical Specification 003 : Selectively applied door opening restrictors for security purposes : November 2005

1	-	-	1	-	2	3
---	---	---	---	---	---	---

DIMENSIONAL DRAWING:



Door Selector



Code: SF.250F

- Door selectors enable rebated double doors to close in the correct order
- Ensures a pair of doors operate correctly and sustains fire integrity
- Generally used on metal doors but can be used on wood doors when fitted with suitable rubbing plates



SSS



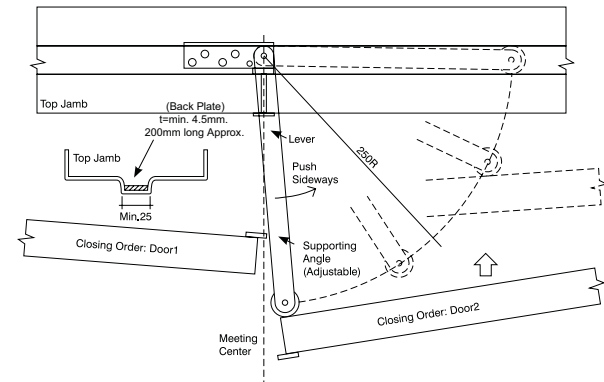
PB



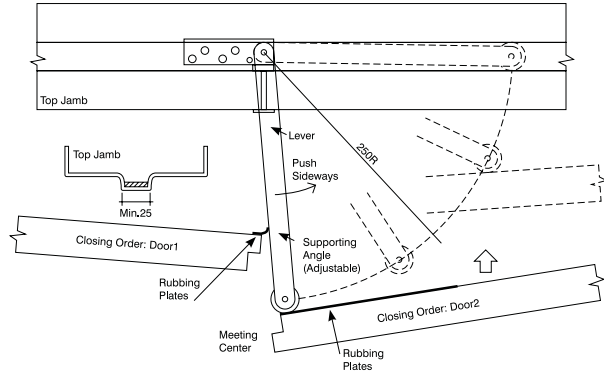
PSS

DIMENSIONAL DRAWING:

Metal Door Installation



Wood Door Installation



USAGE:

To be fitted on a set of rebated doors

3	5	3	1	1	3
---	---	---	---	---	---

MATERIAL:

Stainless steel

FINISHES:



FIXINGS:

Wood screws

DECLARATION OF PERFORMANCE:

009CPR2013-07-01

NOTE:

BS EN 1634-1:2014 60 mins
 BS EN 1363-1:2012
 Rubbing plates for wood doors available (SSS only)
 Ref: RPI.SSS

Mortice Limiting Stay

Code: 930000



USAGE:

Limiting the opening angle of a door/window to 90 degrees

MATERIAL:

Steel

FINISHES:

BZP

FIXINGS:

Wood screws

DECLARATION OF PERFORMANCE:

036CPR2013-07-01

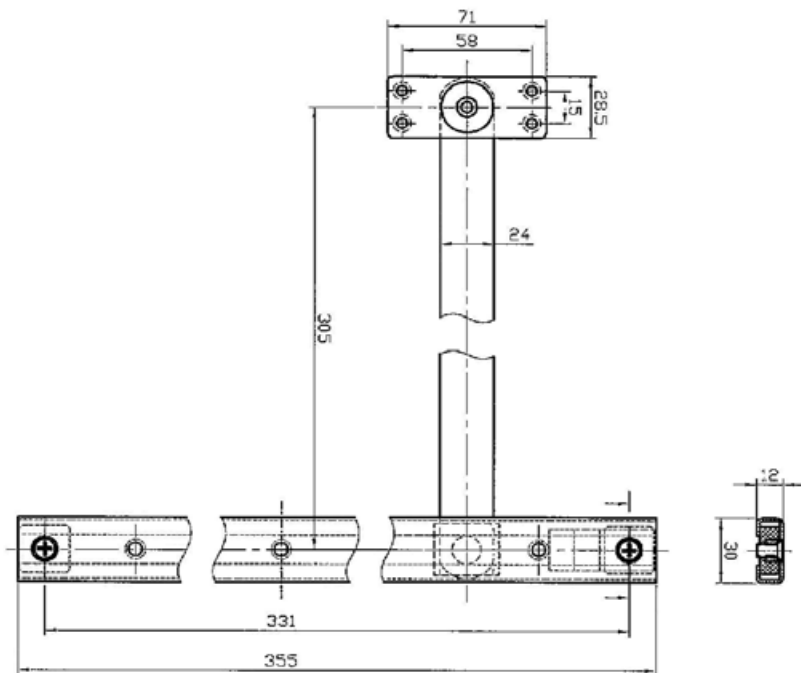
NOTE:

BS EN 1634-1:2014 60mins
Proposed Classification in accordance with DHF Technical Specification 003 : Selectively applied door opening restrictors for security purposes : November 2005

1	-	-	1	-	2	3
---	---	---	---	---	---	---

BS EN 1363-1:2012

DIMENSIONAL DRAWING:



Fitted with a friction hold open device at 90 degrees which can be taken out if not required.

SLIDING DOOR GEAR



CONTENTS:

STRAIGHT SLIDING DOOR GEAR

System 0400	44
System 0500 Modular	45-47
System 0600 Flush	48-49
Glass System	50-51

POCKET DOOR KITS

Mekkit 3D	52
-----------	----

COMPARISON CHART

	53
--	----

SLIDING LOCKS

Bathroom Sets	54
Cylinder	55

SLIDING DOOR HANDLE

Edge Pull	56
Flush Pulls	57

System 0400 – Surface



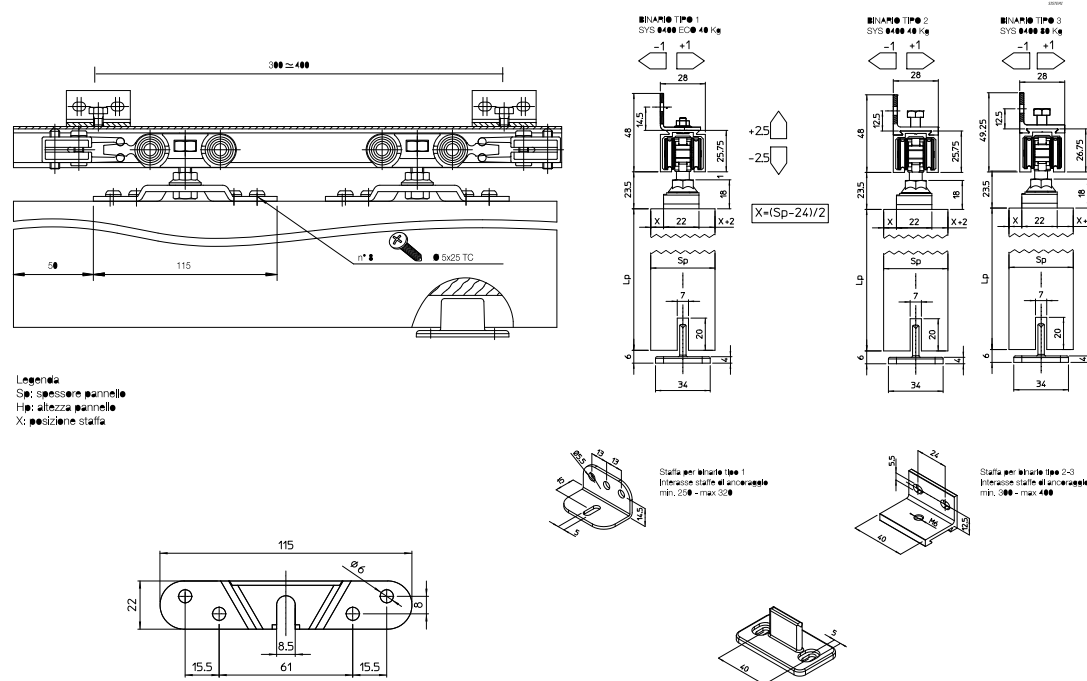
System 0400 – Surface top-plate requires pelmet



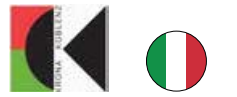
DATA & FEATURES:

ORDER CODES		40kg Track	80kg Track
Hardware Set		0400/3	0400/4
Packed Set (poly-tube)	2.0m	040040/200	040080/200

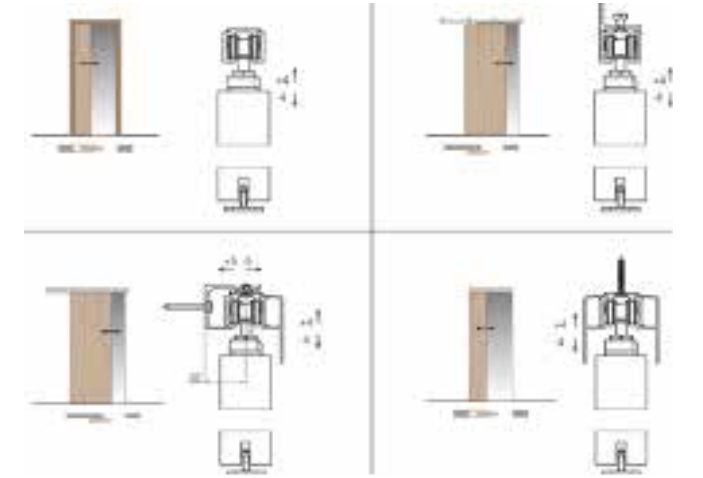
- Pack set consists of 2m track and a set of sliding door gear.
- Wall brackets to additional order.
- Surface top-plate requires pelmet.
- Soft close available to order.
- All products made in Italy.



Modular System 0500 – Surface



System 0500



DATA & FEATURES:

Modular sliding system

ORDER CODES	80kg Track	120kg Track
Track (2, 3, 6m)	500	500/10
Hardware Set	0500/3	0500/3

- Anti friction guide
- Anti vibration of hanger
- Soft close and open
- Modular design
- Available for doors up to 120kg
- Surface system needs pelmet
- All products made in Italy.

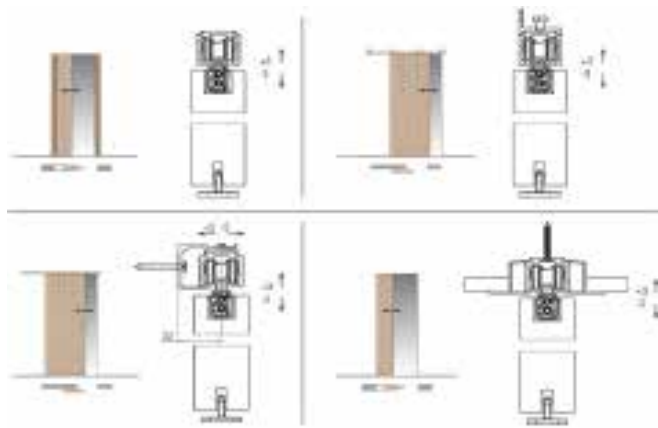
Options

ORDER CODES	80kg Track	120kg Track
ABS Soft-Close Set	0500/3 1ABS	N/A
ABS Close/Open Set	0500/3 2ABS	N/A
Wall Brackets	0500/4	0500/5
Wall Profile (2, 3, 4m)	0550 F	0500 F10
Pelmet H60 (2, 3, 4m)	0500 M	0500 M
Pelmet End Caps	0500/63	0500/63
Auto-Biparting Set 2-dr	0550/2	0550/2
Telescopic Set 2-dr	0560/2	0560/2
Glass 8-12mm Sets 1-dr	1700/2	1700/2
ABS Soft-Close Glass 1dr	1700/2 1ABS	N/A
ABS Close/Open Glass 1	1700/2 2ABS	N/A

Modular System 0600 – Flush



System 0600



DATA & FEATURES:

ORDER CODES	80kg Track	120kg Track
Track (2, 3, 4m)	500	500/10
Hardware Set	0600/80	0600/80

Options

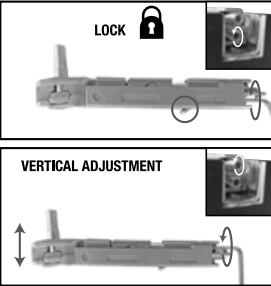
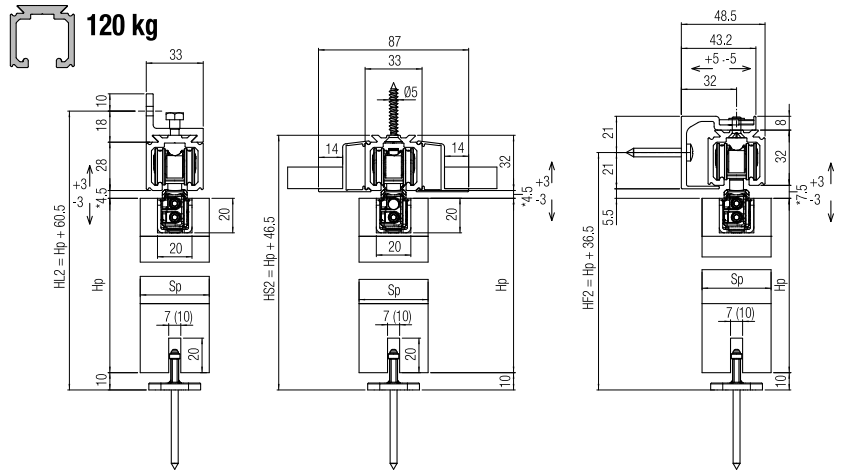
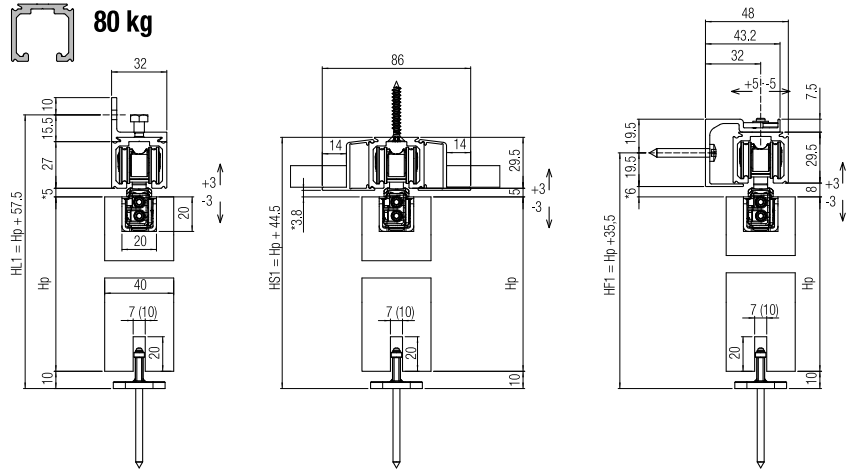
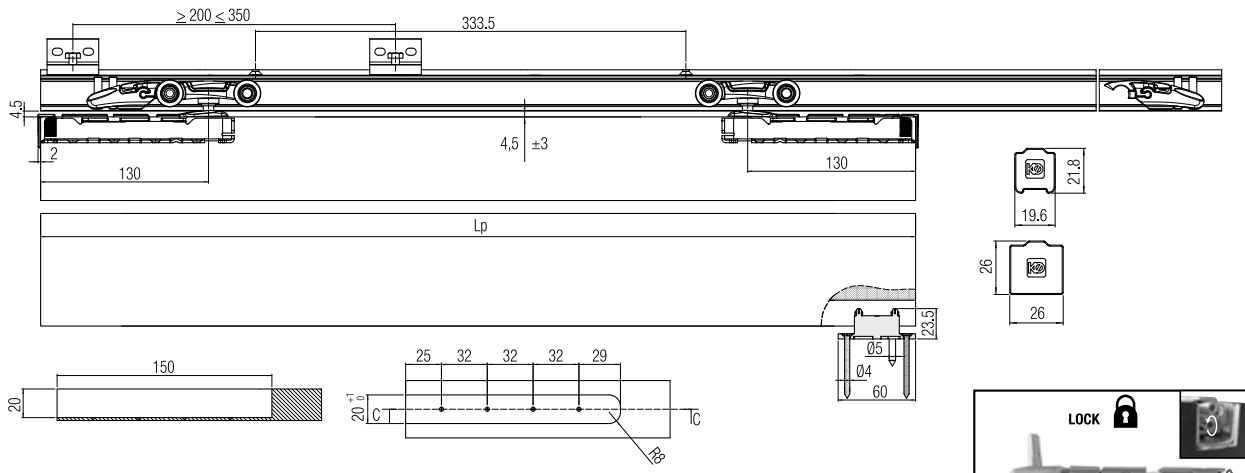
ORDER CODES	80kg Track	120kg Track
ABS Soft-Close Set	0600/80 1ABS	N/A
ABS Close/Open Set	0600/80 2ABS	N/A
Wall Brackets	0500/4	0500/5
Wall Profile (2, 3, 4m)	0550 F	0500 F10
Ceiling Profile (2, 3, 4)	0500 C	0500 C

- Anti friction guide
- Anti vibration of hanger
- Soft close and open
- Modular design
- Available for doors up to 120kg
- Surface system needs pelmet
- All products made in Italy.

Modular System 0600 – Flush



System 0600



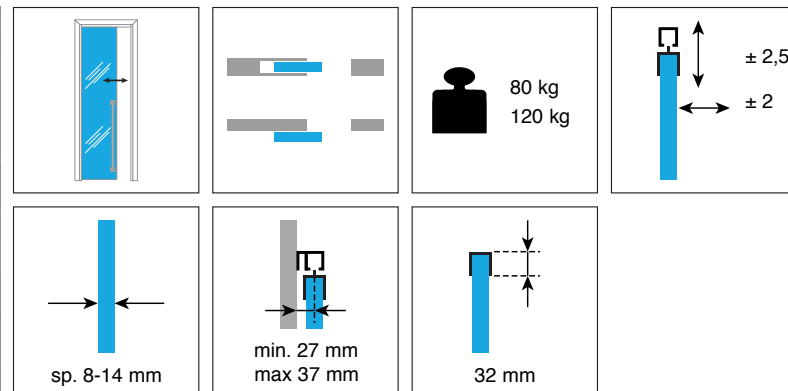
N.B. all heights are referred to the use of screws having 35 mm length included in the kit.
*Suggested minimum gap

Glass system

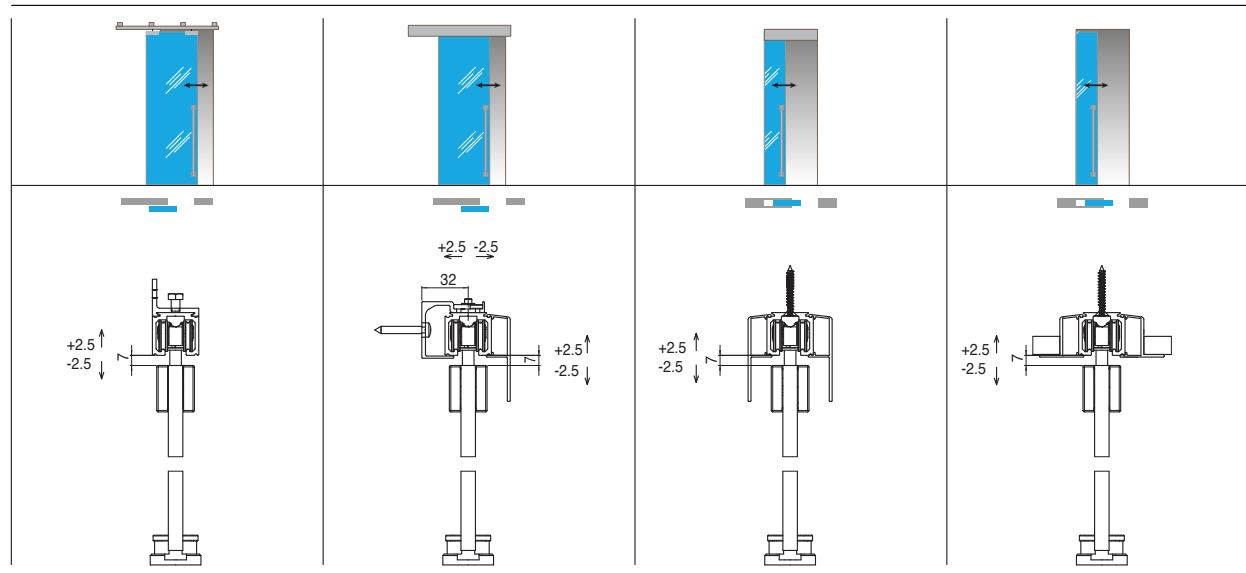
System 1710/80/120



SLIDING SYSTEM FOR GLASS DOORS



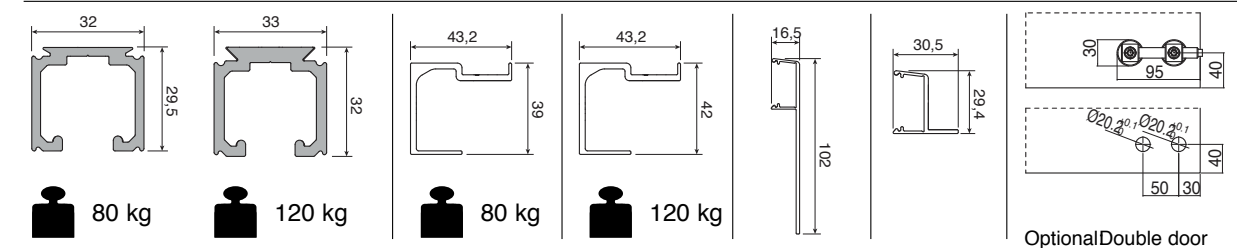
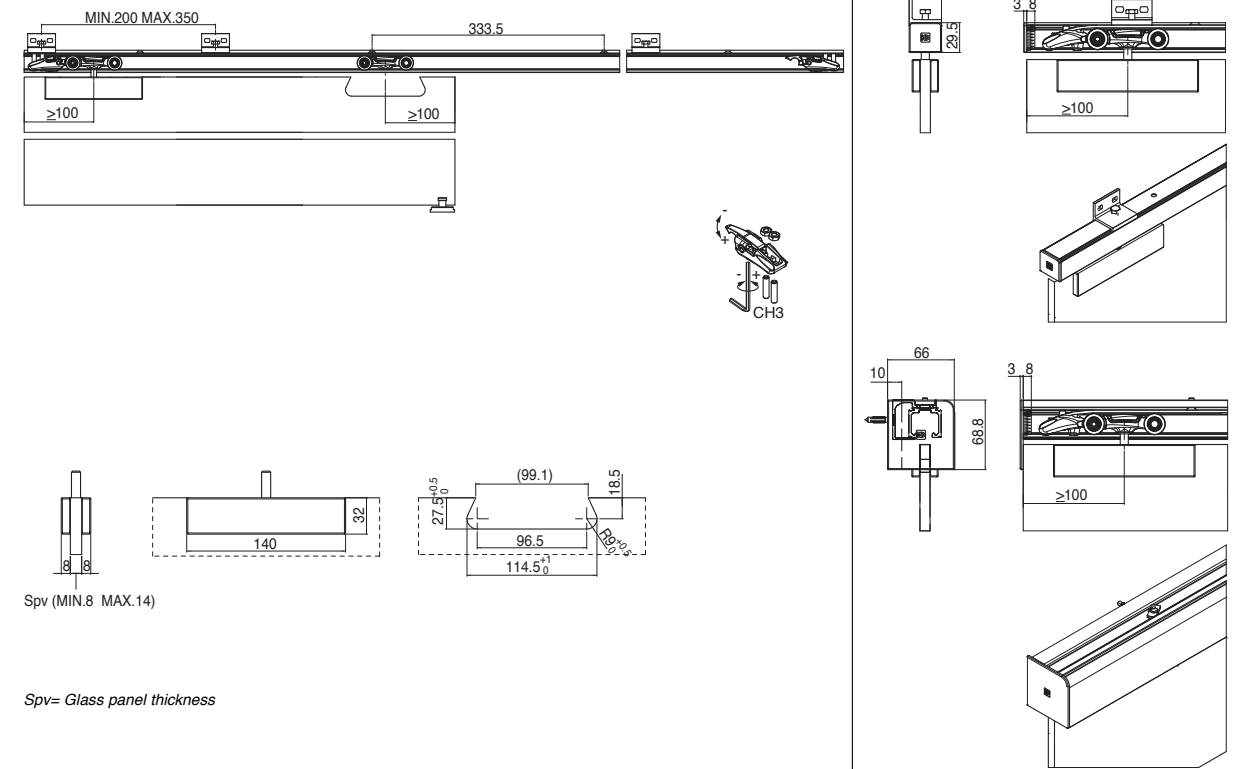
POSSIBLE SLIDING SOLUTIONS



Glass system



BASIC



KIT Art. 1710 2 500 CS

Glass retainer clamp	2 pcs
Glass seal	1 pcs
Covering	1 pcs
Upper roller 80/120kg	2 pcs
Lower guide	1 pcs
Stop brake	2 pcs

*Spare parts

Art. 1710 54 CS	Glass retainer clamp	1 pcs
Art. 1710 3	Glass seal	1 pcs
Art. 1710 4	Covering	1 pcs
Art. 0500/52	Upper roller 80/120kg	2 pcs
Art. 7550/12 CP	Lower guide	1 pcs
Art. 0500/12	Stop brake	2 pcs

Compatible accessories

Art. 0500/1 m 6	Art. 0500/300 m 3	Drilled and anodised aluminium track 50/80kg	**Art. 0500 F 200 m 2	**Art. 0500 F 300 m 3	**Art. 0500 F 400 m 4	Wall fixing 50/80 kg
Art. 0500/10 m 6	Art. 0500/10/300 m 3	Drilled and anodised aluminium track 120kg	**Art. 0500 F 10 m 6	**Art. 0500 F 10 300m 3	Wall fixing 120 kg	
Art. 1600/52	Lower guide	**Art. 0500 A 200 m 2	**Art. 0500 A 300 m 3	**Art. 0500 A 400 m 4	Rib high covering	
Art. 7550 32 NS	Extra lower stopper for double door leaf glass	**Art. 0500 C 200 m 2	**Art. 0500 C 300 m 3	**Art. 0500 C 400 m 4	False ceiling profile	
Art. 1710 BK	Kit glass retainer clamp	Art. 0500/61	Side closing rail	10 pcs		
		Art. 0500/64	Side closing rib high	5+5 pcs		

*The articles in the table "Spare parts" are to be only ordered in the indicated quantities.
**Incompatible with article 0500/4 and 0500/5.

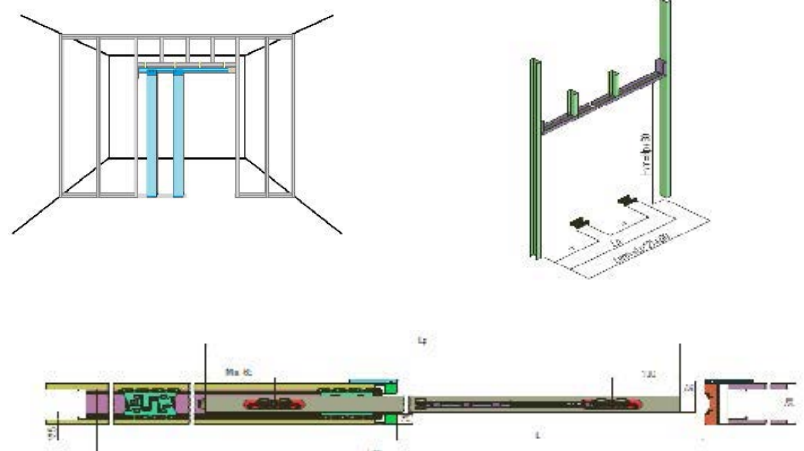
Pocket Door Kits MEKKIT 3D



Code: 8000.UK



DIMENSIONAL DRAWING:



Meckit 3D kit installs directly to the wall studwork

TRADITIONAL STYLE:

Basic Kit (doors to W926xH1981/2040xD44)*:

Larger sizes available

DOUBLE DOORS:

Use two kits with joiner bracket included in kit.

PRACTICAL ADVANTAGES:

Designed to suit standard UK door sizes and walls.

Easy to trim header to door width, no need to trim vertical studs.

One-man job to install header to wood/metal structural studwork.

Vertical studs snap-fit to header & floor with special connectors.

Hidden guide is floor or wall fixed, running in groove under door.

Special length self-tapping screws to suit 12.5mm board included.

Adjustable ball-bearing wheel and "ABS" soft-closing as standard.

Clear instructions & on-line installation video.

EXCLUDES:

Doors, Aperture Lining kit and Architraves.

Comparison Chart

Koblenz	Henderson	Coburn	Hawa	Geze	Saheco
040040-200	Husky H50 20A	Straightaway S50	Junior 40	Rollan 40	SF-E40
040080-200	Husky H100 20A	Straightaway S100	Junior 80	Rollan 80	SF-E80
0500 3 + 0500 200	Husky H100 20A	Straightaway S100	Junior 80	Rollan 80	SF-A80
0500 2 1ABS + 0500 200	N/A	Add 30613 (70kg)	Junior 80 Soft	Add Softstop	SF-A80 (60kg)
0500 3 + 0500 10 200	Pacer 200kg	Straightaway 130	Junior 120	Perian 140	SF-A125 (125kg)
0550-80-120	2x Husky H100 20A+SAK	Add 61403	Symmetric 80	Perian 140	SF-A125 (125kg)
0560-80-120	N/A	Add 97791	Telescopic 80/2	Perian 140	N/A
0600-80	LH100 + 280A 2m	N/A	Junior 80B	Perian 140	SF-A81
0600-80ABS	N/A	N/A	Junior 80B Soft	Perian 140	N/A
0600-120	LH120A + 120/2000	N/A	Junior 120B	Perian 140	N/A

Bathroom Sliding Door Locks



COMPONENTS:

- 1 Scivola T lock with striker and cover tray
- 1 Steel pull with thumb turn
- 1 Steel pull with emergency locking cam and expansion squared spindle
- 1 Finger pull
- 4 4x20 mm screws for lock and striker, with same finish as forend
- 1 Assembly instructions

DESCRIPTION:

Lock kit with hook and steel flush pull with thumb turn, without key. Notched locking cam on the outside for emergency opening. All the elements have been designed to eliminate ant superfluous projections.

APPLICATION:

For concealed, sliding timer doors on bathrooms or any room where the door is closed from one side only and does not require a key to lock it. Suitable for panels with a thickness of 40 to 48mm.

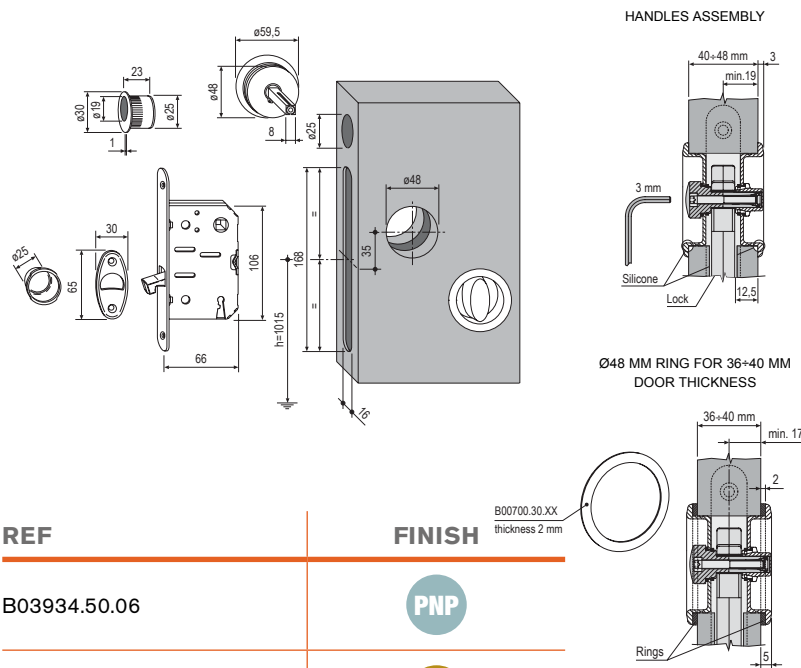
MOUNTING:

The pulls are directly secured by expansions squared spindle, automatically adapting the 40+48 mm wide doors, without any additional screw or plastic striker plate. Follow the assembly instructions provided with the kit. Milling cutters art. Z00005.48.01 – 48 mm diameter, are available for milling the pull recesses.

NOTE:

All the kit components come in a single package.

DIMENSIONAL DRAWING:



REF	FINISH
B03934.50.06	PNP
B03934.50.03	PB
B03934.50.02	BRZ
B03934.50.34	MC



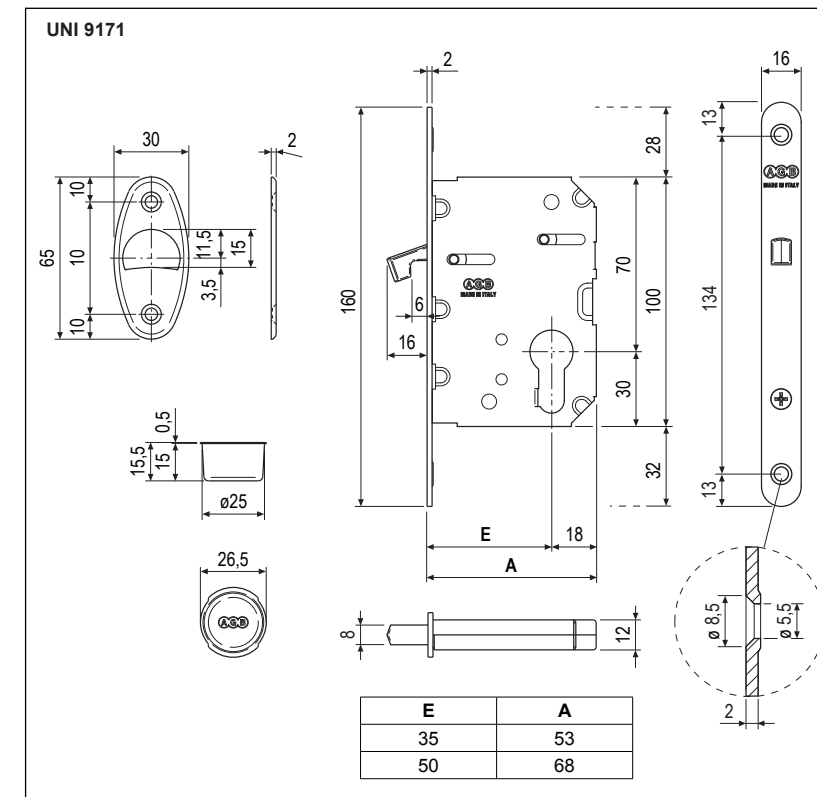
Cylinder Sliding Door Locks

Code: B08922.50.34



Scivola Tre

DIMENSIONAL DRAWING:



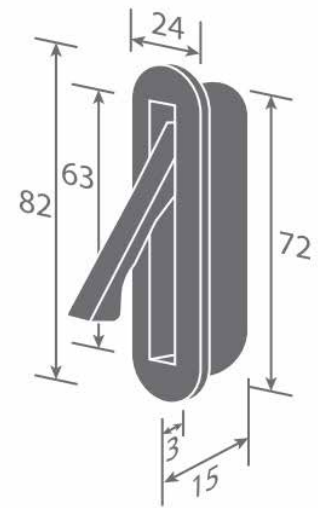
Flush Edge Pull
82 x 24 x 15mm



Code: KP-3008A



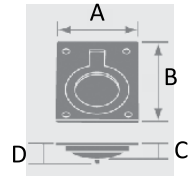
DIMENSIONAL DRAWING:



Flush Pulls



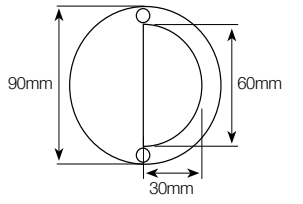
FLUSH RING PULL
Code: KP-3011



	A	B	C	D
3011A	38	48	9	15
3011B	44	62	11	17

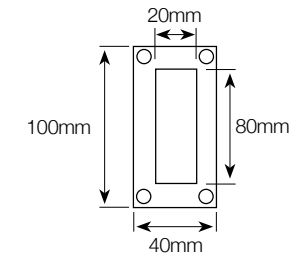
SSS PSS

FLUSH PULL
Code: KP-3020



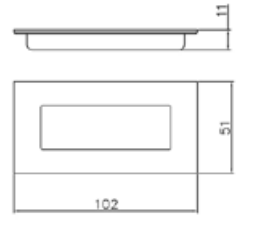
SSS

FLUSH PULL
Code: KP-3040



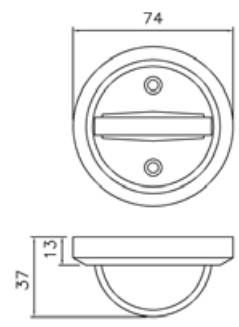
SSS

CONCEALED FLUSH PULL
Code: KP-3050



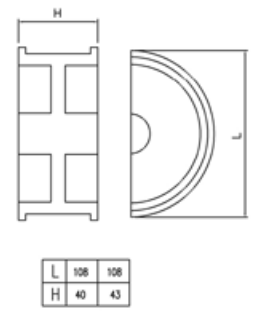
SSS

FLUSH RING HANDLE
Code: KP-3060



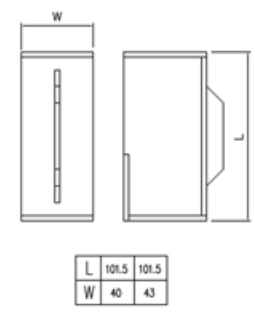
SSS

SLIDING DOOR PULL
Code: KP-3070



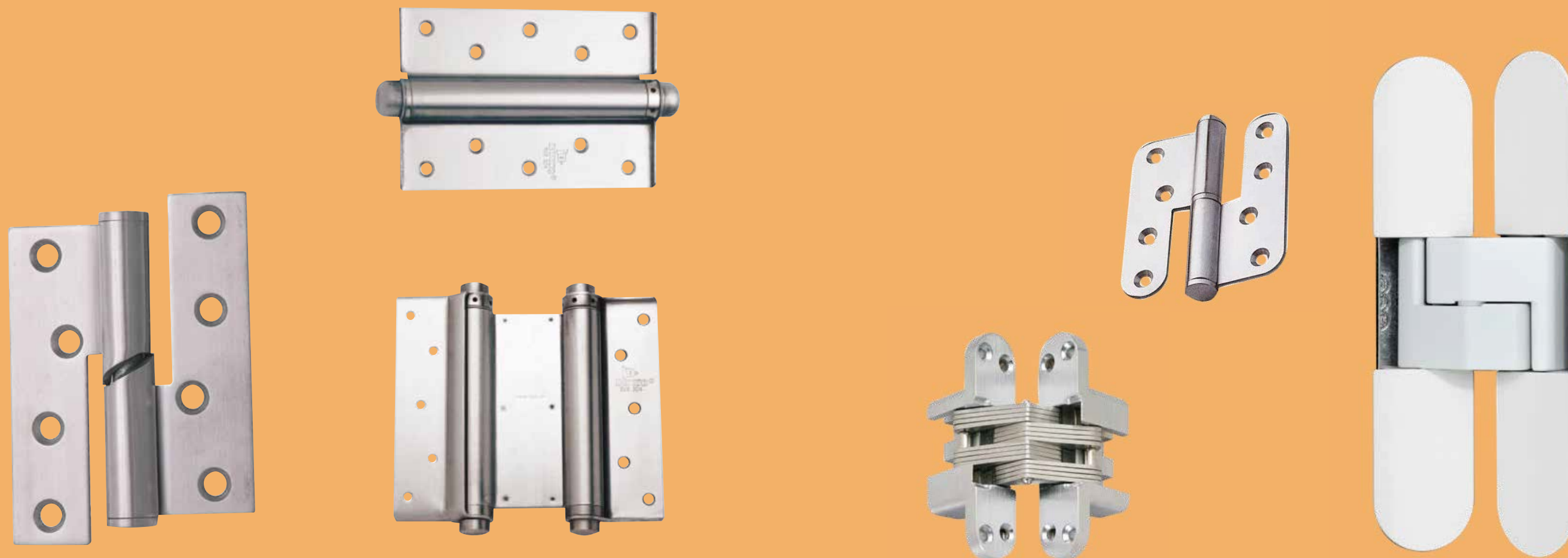
SSS

SLIDING FLUSH PULL
Code: KP-3080



SSS

HINGES



CONTENTS:

CONCEALED

Comparison Chart	60
Finishes	61
Adjustable type	62-66
Adjustable type sprung version	67
Router Jig to Suit	68
SOSS type	69-73
SOSS type sprung version	74

SPRING

Double Action	75-77
Single Action	78-80

BUTTS

Standard	81-86
Hospital Lift Off	87
Parliament	88
Falling	89
Rising	90
Glass Fittings	91

Concealed Hinge Comparison Chart

NEWSTAR	WEIGHT	FR	TECTUS	SOSS
CHS - 28115	40kg - 2H	FR60	N/A	N/A
CH - 32140	70kg - 3H	FR60	N/A	220
		FR30		
CH - 28115	55kg - 3H	FR60	N/A	218
		FR30		
CH - 25117	45kg - 3H	FR60	N/A	216
		FR30		
CH - 1995		NFR	N/A	212
CH - 1670		NFR	N/A	208
CH - 1360		NFR	N/A	204
CH - 1345		NFR	N/A	203
K - 2400	52kg - 3H	FR30	TE240	N/A
	40kg - 2H			
Eclipse 3.0	60kg - 3H	FR60	TE340	N/A
	40kg - 2H	FR30		
K - 7080	100kg - 3H	FR60	TE540	N/A
	80kg - 2H	FR30		
K - 7120	140kg - 3H	FR30	TE540A8	N/A
	120kg - 2H	FR30		
K - 7200	200kg - 2H	NFR	TE640	N/A

Adjustable Concealed Multiaxial Hinge Finishes



FINISHES AVAILABLE



BLK
Black



PB
Polished Brass



BRZ
Bronze



SNP
Satin Nickel Plated



PNP
Polished Nickel



MC
Matt Chrome

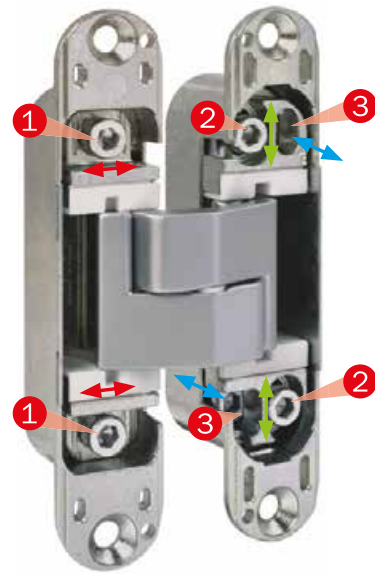


SG
Silver Grey

Reversible Concealed Multiaxial Hinges



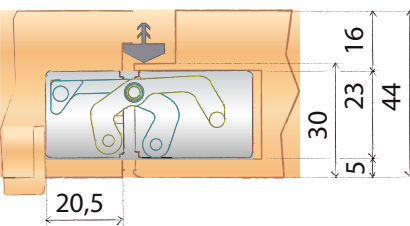
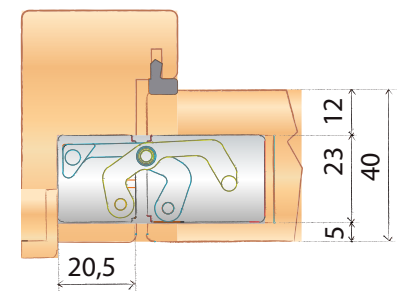
Code: Eclipse 3.0



- Concealed hinge for flush doors with rebate and aluminium doors. Suitable for telescopic coverplates. Completely invisible thanks to the reduced dimensions.
- Easy installation: sash and frame parts can be assembled separately during production and joined on site. The covers with edges hide every defect on workings.
- **THREE INDEPENDENT ADJUSTMENTS:**
 - 1 Pressure adjustments: $\pm 1\text{mm}$
 - 2 Vertical adjustments: $\pm 2\text{mm}$
 - 3 Horizontal adjustments: $\pm 1.5\text{mm}$

DIMENSIONAL DRAWING:

UK Door Detail



EU (Rebated) Door Detail



USAGE:

Commercial and residential doorsets
 Max weight 60kg – 3 Hinges
 40kg – 2 Hinges

MATERIAL:

Zamak

FINISHES:



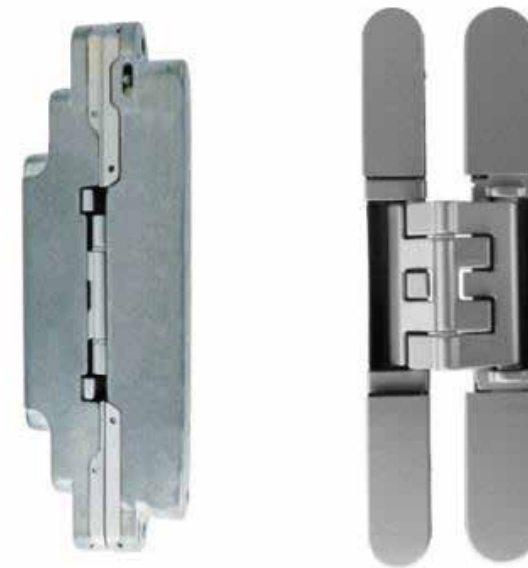
NOTE:

BS EN 1634-1:2014 30 and 60 mins
 Intumescent pack available
 Code: IP.3.0

Adjustable Concealed Multiaxial Hinges



Code: K2400



- Cover caps are supplied with the finished product

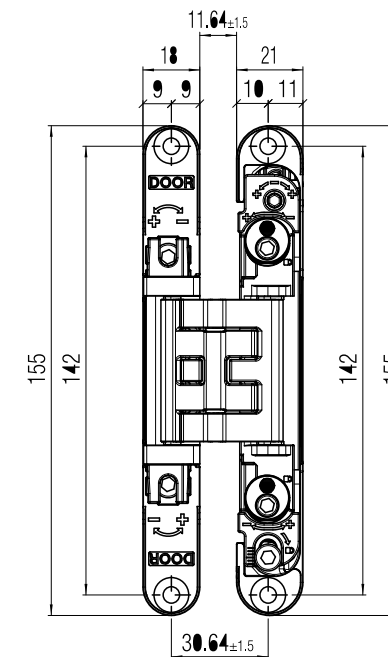
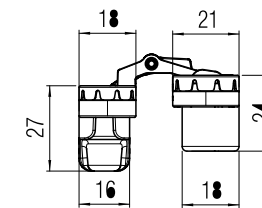
K2400.CS.DXSX



K2400.NS.DXSX



DIMENSIONAL DRAWING:



USAGE:

Commercial and residential doorsets
 Max weight 52kg – 3 Hinges
 40kg – 2 Hinges

MATERIAL:

Zamak body, hardened steel pins, aluminium covers, teflon bearings

FINISHES:



NOTE:

NFR

Adjustable Concealed Multiaxial Hinges

Code: K7080



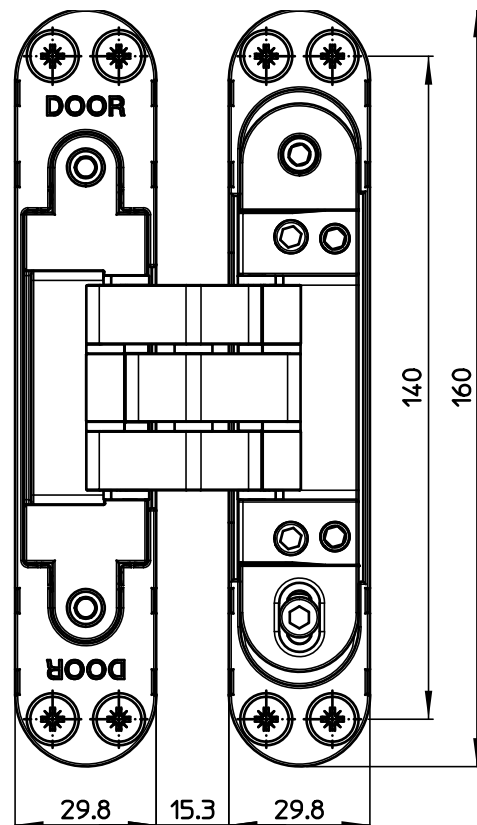
Morticed using 12x35mm milling cutter, 37mm bearing (6301)

Optional jig (K 708 DIMA), frame back plates and receiver boxes

- Cover caps are supplied with this product

- K7080.BI.DXSX**
- K7080.CL.DXSX**
- K7080.CS.DXSX**
- K7080.EA.DXSX**
- K7080.NS.DXSX**
- K7080.DR.DXSX**
- K7080.IBU.DXSX**

DIMENSIONAL DRAWING:



USAGE:

Commercial and residential doorsets
 Max weight 100kg – 3 Hinges
 80kg – 2 Hinges

MATERIAL:

Zamak body, hardened steel pins, aluminium covers, teflon bearings

FINISHES:

-
-
-
-
-
-
-

NOTE:

BSEN1634-1:2014 30 & 60 mins
 Intumescent pack available
 Ref: IP.K7080

Adjustable Concealed Multiaxial Hinges

Code: K7120



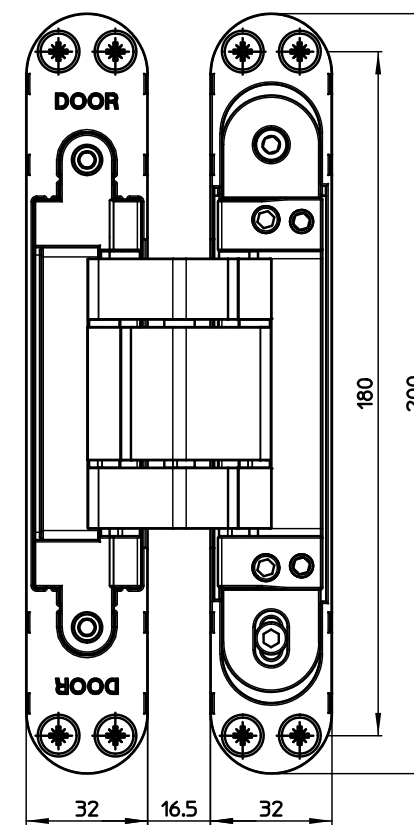
Morticed using 12x35mm milling cutter, 37mm bearing (6301)

Optional jig (K 708 DIMA), frame back plates and receiver boxes

- Cover caps are supplied with this product

- K7120.CS.DXSX**
- K7120.EA.DXSX**
- K7120.NS.DXSX**

DIMENSIONAL DRAWING:



USAGE:

Commercial and residential doorsets
 Max weight 140kg – 3 Hinges
 120kg – 2 Hinges

MATERIAL:

Zamak body, hardened steel pins, aluminium covers, teflon bearings

FINISHES:

-
-
-

NOTE:

BSEN1634-1:2014 30 & 60 mins
 Intumescent pack available
 Code: IP.K7120

Adjustable Concealed Multiaxial Hinges



Code: K7200



Morticed using 12x35mm milling cutter, 37mm bearing (6301)

Optional jig (K 708 DIMA), frame back plates and receiver boxes

- Cover caps are supplied with this product

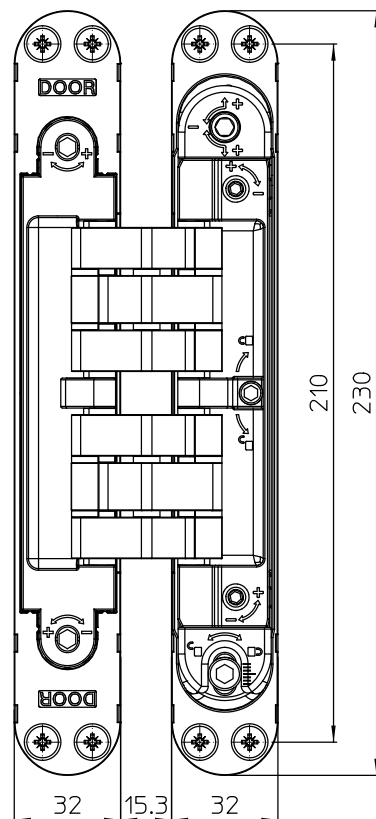
K7200.CS.DXSX



K7200.NS.DXSX



DIMENSIONAL DRAWING:



CAPACITY:

Commercial and residential doorsets
Max weight 200kg – 2 Hinges

MATERIAL:

Zamak body, hardened steel pins, aluminium covers, teflon bearings

FINISHES:



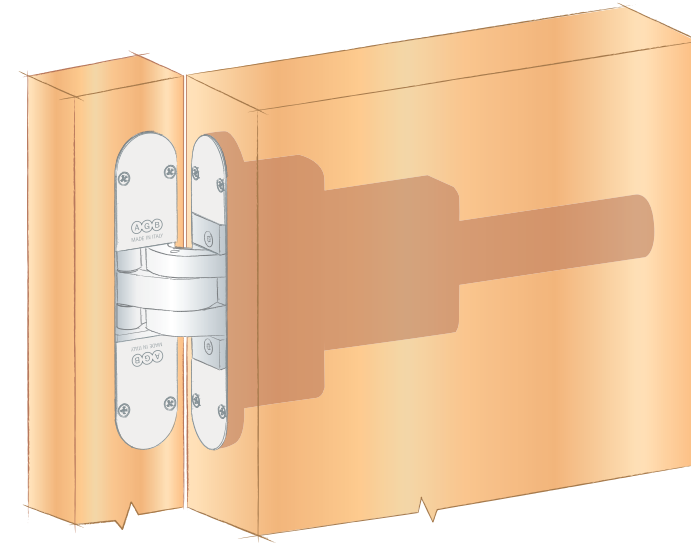
NOTE:

NFR

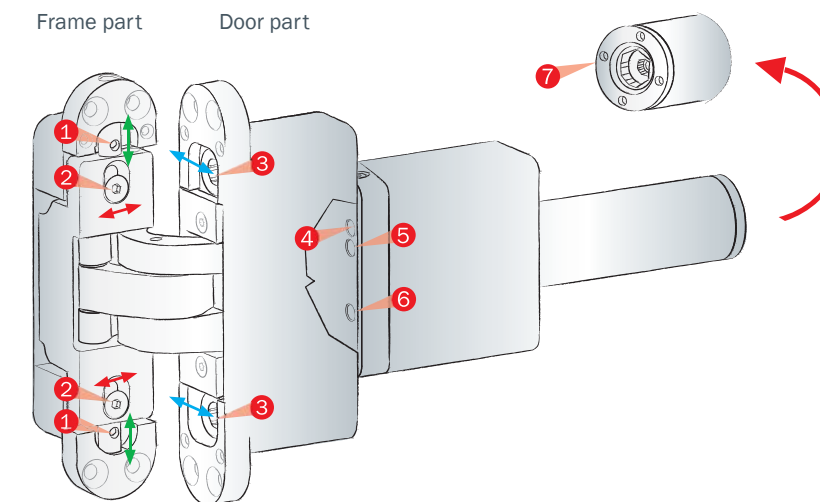
Adjustable Concealed Multiaxial Spring Close



Code: SELF



DIMENSIONAL DRAWING:



USAGE:

Hotel and Apartments doors

MATERIAL:

Zamak body, hardened steel pins, aluminium covers, teflon bearings

FINISHES:



NOTE:

Cannot be used with standard butt hinges.

Supplied with a companion concealed hinge.

A third hinge can be fitted if required.

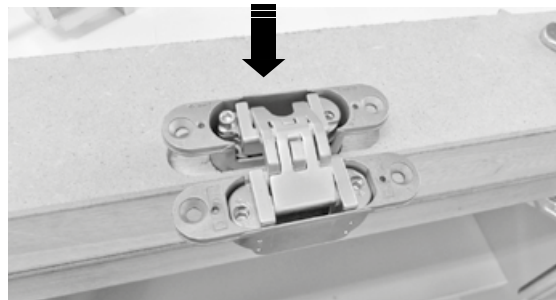
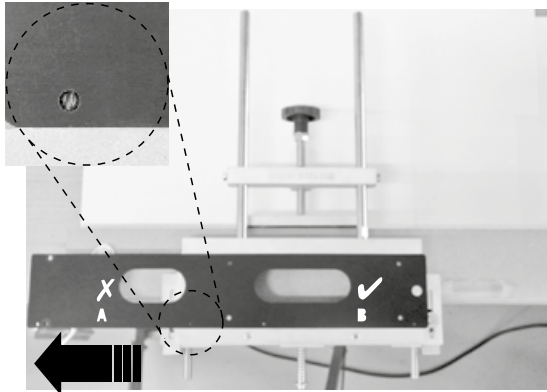
ADJUSTMENTS OF HINGE PART:

- 1 Vertical ± 2 mm, with a 3mm allen key;
- 2 Pressure ± 1 mm, with a 3mm allen key;
- 3 Horizontal $-1.5/2.5$ mm, with a 8mm allen key

ADJUSTMENTS OF CLOSING DEVICE:

- 4 Speed of final step (in the last 12° of closing) with a 2.5mm allen key;
- 5 Maximum opening corner, with a 2.5mm allen key;
- 6 Closing speed with a 2.5mm allen key;
- 7 Power of closing during rotation with a 12mm allen key.

Concealed Multiaxial Hinges Router Jig



KRONA KOBLENZ:

DIMA UNIVERSAL

MODEL	CODE		
Kubica K2400	Art. K240	16mm	30mm
Kubica K5080	Art. K508	16mm	30mm
Kubica K6200	Art. K620	16mm	30mm
Kubica K6700	Art. K670	16mm	30mm
Kubica K6900	Art. K690	12mm	30mm
Kubica K6300	Art. K630	12mm	30mm
Kubica 27	Art. K270	16mm	30mm
Kubica KubiKudadra	Art. K300	16mm	30mm
Kubica KubiCenter	Art. K640	16mm	30mm
KuBi 7 K7000	Art. K700	16mm	30mm
KuBi 7 K7080	Art. K708	16mm	30mm
KuBi 7 K7120	Art. K712	16mm	30mm
KuBi 7 K7200	Art. K720	16mm	30mm
KuBi 7 Kubica Twist	Art. K708	16mm	30mm
Kubikina K6100	Art. K610	10mm	30mm

UK Suggested milling sets

Ø	L	CMT
Ø 16mm	L = 110mm	CMT 177.161.11
Ø 12mm	L = 100mm	CMT 177.121.11
Ø 10mm	L = 90mm	CMT 177.100.11

AGB:

ARTICLE	DESCRIPTION
E30200.99.06	Inserts for Eclipse and Eclipse 2.0
E30200.99.07	Inserts for Eclipse 3.0
E30200.99.08	Inserts for Eclipse 3.1 40mm thickness
E30200.99.09	Inserti per Eclipse 3.1 38mm thickness
E30200.99.04	Eclipse single jig without inserts
E30200.99.05	Eclipse double jig without inserts

Concealed Hinges

Code: CH1345 **SCP** Code: CH1360 **SCP** Code: CH1670 **SCP** Code: CH1995 **SCP**

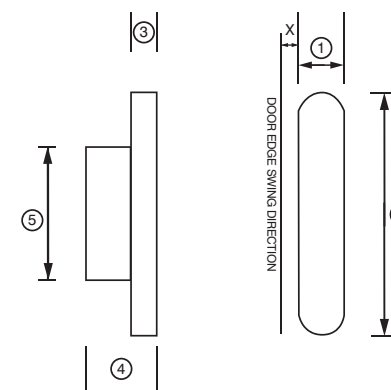


Code: CH25117 **SCP** **FR 30** Code: CH28115 **SCP** **FR 30** Code: CH32140 **SCP** **FR 60**



DIMENSIONAL DRAWING:

PRODUCT CODE	SIZE THICKNESS	MINI DOOR (3PCS)	WEIGHT RATED	FIRE	X	1	2	3	4	5
CH-1345	12.4 X 45mm	19mm	10kgs	No	3.20mm	12.40mm	45mm	4.70mm	18.20mm	18.30mm
CH-1360	12.7 x 60mm	19mm	14kgs	No	3.20mm	12.70mm	60mm	5.20mm	17.80mm	29.90mm
CH-1670	15.7 x 70mm	22mm	25kgs	No	4.00mm	15.70mm	70mm	7.00mm	22.80mm	33.30mm
CH-1995	18.4 x 95mm	28mm	35kgs	No	4.80mm	18.40mm	95mm	8.30mm	26.40mm	49.80mm
CH-25117	24.7 x 118mm	35mm	45kgs	30 min	6.40mm	24.70mm	118mm	11.00mm	36.60mm	62.70mm
CH-28115	27.8 x 118mm	41mm	55kgs	30 min	6.40mm	27.80mm	118mm	9.00mm	41.00mm	60.40mm
CH-32140	33.6 x 139mm	47mm	70kgs	60 min	7.50mm	33.60mm	139mm	11.10mm	49.29mm	73.30mm



- 1 Hinge Width
- 2 Hinge Length
- 3 Plate Depth
- 4 Mortice Depth
- 5 Mortice Length
- X Dimension from Door Edge

FIRE TESTED BY WARRINGTON APT:
BS 1634-4 2000

Fire Rated Concealed Hinge



Code: CH32140



DIMENSIONAL DRAWING:

X	1	2	3	4	5
7.50mm	33.60mm	139mm	11.10mm	49.29mm	73.30mm

USAGE:

Internal residential and commercial doors
Max weight 70kg – 3 Hinges

MATERIAL:

Zinc diecast

FINISHES:



FIXINGS:

Wood screws

DECLARATION OF PERFORMANCE:

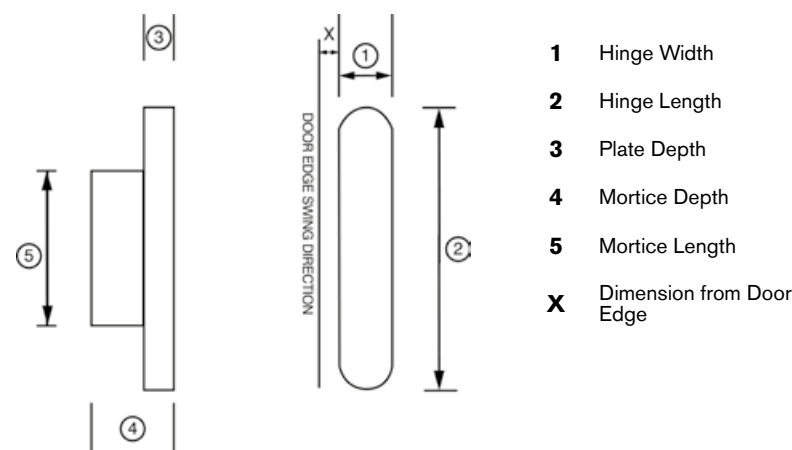
N/A

NOTE:

BS EN 1634-1:2014 60 mins
BS EN 1363-1:2012
Min door thickness 47mm

INTUMESCENT PACK:

Code: IP.CH32140



Fire Rated Concealed Hinge



Code: CH28115



DIMENSIONAL DRAWING:

X	1	2	3	4	5
6.40mm	27.80mm	118mm	9.00mm	41.00mm	60.40mm

USAGE:

Internal residential and commercial doors
Max weight 55kg – 3 Hinges

MATERIAL:

Zinc diecast

FINISHES:



FIXINGS:

Wood screws

DECLARATION OF PERFORMANCE:

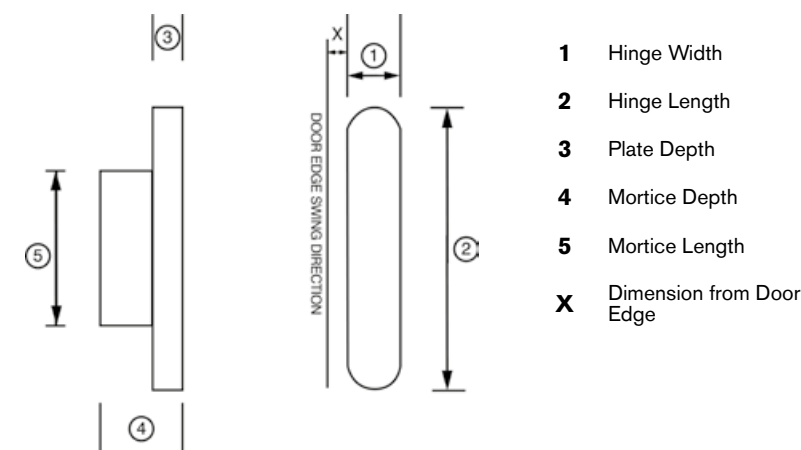
N/A

NOTE:

BS EN 1634-1:2000 30 mins
BS EN 1634-1:2014 60 mins
BS EN 1363-1:2012
Min door thickness 41mm

INTUMESCENT PACK:

Code: IP.CH28115



Fire Rated Concealed Hinge



Code: CH25117



DIMENSIONAL DRAWING:

X	1	2	3	4	5
6.40mm	24.70mm	118mm	11.00mm	36.60mm	62.70mm

USAGE:

Internal residential and commercial doors
Max weight 45kg – 3 Hinges

MATERIAL:

Zinc diecast

FINISHES:



FIXINGS:

Wood screws

DECLARATION OF PERFORMANCE:

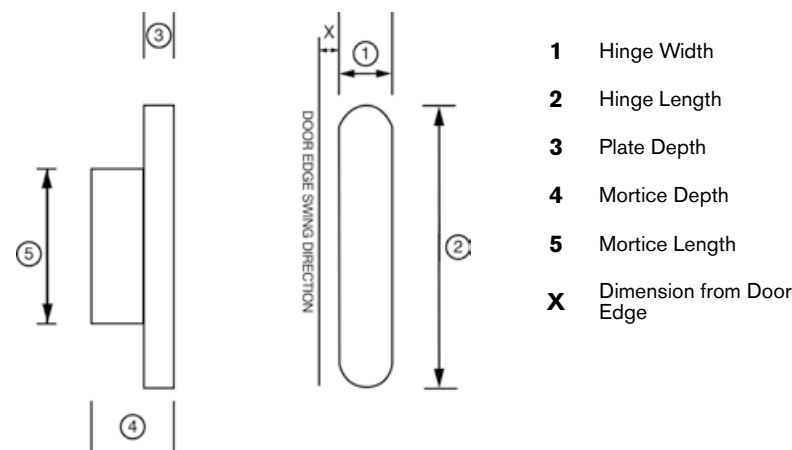
N/A

NOTE:

BS EN 1634-1:2000 30 mins
BS EN 1634-1:2014 60 mins
BS EN 1363-1:2012
Min door thickness 35mm

INTUMESCENT PACK:

Code: IP.CH25117



Non Fire Rated Concealed Hinge

Code: CH1345 | CH1360 | CH1670 | CH1995



CH1345



CH1360



CH1670



CH1995

DIMENSIONAL DRAWING:

PRODUCT CODE	X	1	2	3	4	5
CH1345	3.20mm	12.40mm	45mm	4.70mm	18.20mm	18.30mm
CH1360	3.20mm	12.70mm	60mm	5.20mm	17.80mm	29.90mm
CH1670	4.00mm	15.70mm	70mm	7.00mm	22.80mm	33.30mm
CH1995	4.80mm	18.40mm	95mm	8.30mm	26.40mm	49.80mm

USAGE:

Cabinet applications

MATERIAL:

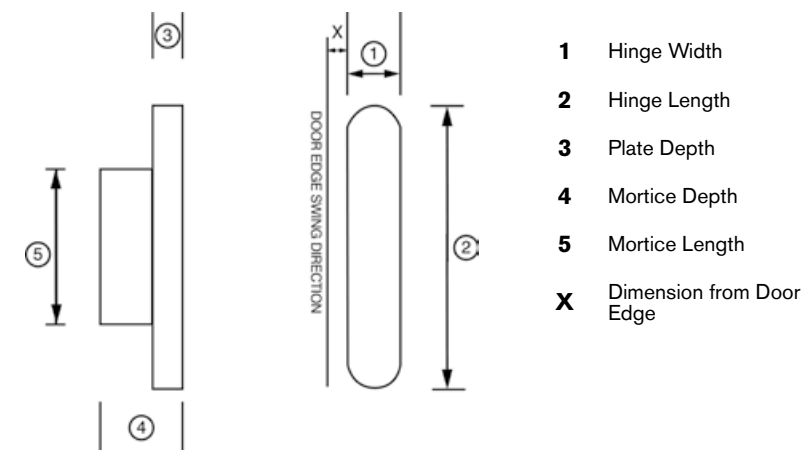
Zinc diecast

FINISHES:



FIXINGS:

Wood screws



Fire Rated Concealed Hinge Spring

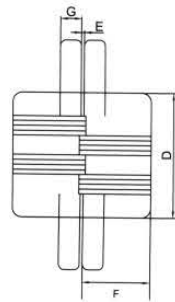
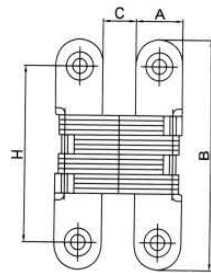


Code: CHS-28115



DIMENSIONAL DRAWING:

	A	B	C	D	E	F	G	H
DIMENSIONS (mm) 28 x 118	28	118	22	61.5	1.4	41	9.5	88



USAGE:

Internal residential doors up to 40mm thick & 40kg

MATERIAL:

Zinc diecast

FINISHES:



FIXINGS:

Wood screws

DECLARATION OF PERFORMANCE:

N/A

NOTE:

BS EN 1634-1:2014 60 mins
BS EN 1363-1:2012

INTUMESCENT PACK:

Code: IP.CHS-28115

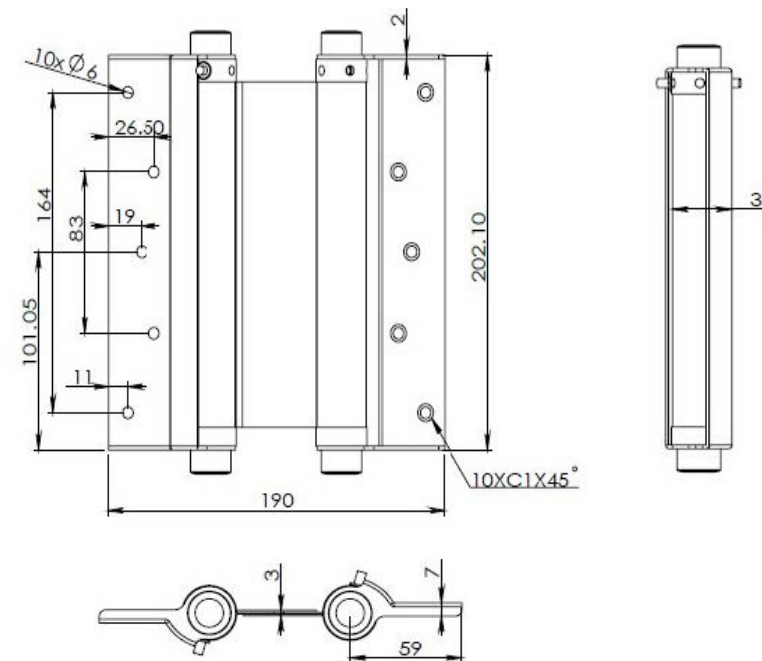
Double Action Spring Hinge 204mm



Code: SD8200



DIMENSIONAL DRAWING:



USAGE:

Double swing doors
Max width 900mm
Max weight 60kg – 3 Hinges

MATERIAL:

Stainless Steel, Steel

FINISHES:



FIXINGS:

Wood screws

DECLARATION OF PERFORMANCE:

042CPR2013-07-01

NOTE:

BS EN 1634-1:2000 60 mins

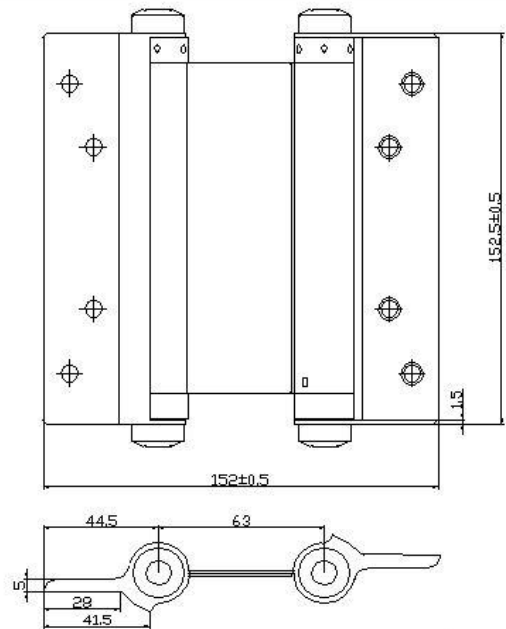
Double Action Spring Hinge 152mm



Code: SD8150



DIMENSIONAL DRAWING:



USAGE:

Double swing doors
Max width 800mm
Max weight 40kg – 3 Hinges

MATERIAL:

Stainless Steel, Steel

FINISHES:

SSS

FIXINGS:

Wood screws

DECLARATION OF PERFORMANCE:

041CPR2013-07-01

NOTE:

BS EN 1634-1:2000 60 mins

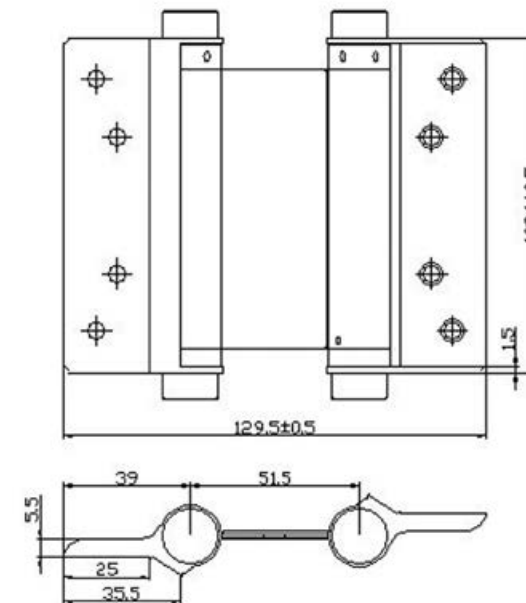
Double Action Spring Hinge 102mm



Code: SD8100



DIMENSIONAL DRAWING:



USAGE:

Double swing doors
Max width 800mm
Max weight 25kg – 3 Hinges

MATERIAL:

Stainless Steel, Steel

FINISHES:

SSS

FIXINGS:

Wood screws

DECLARATION OF PERFORMANCE:

040CPR2013-07-01

NOTE:

BS EN 1634-1:2000 60 mins

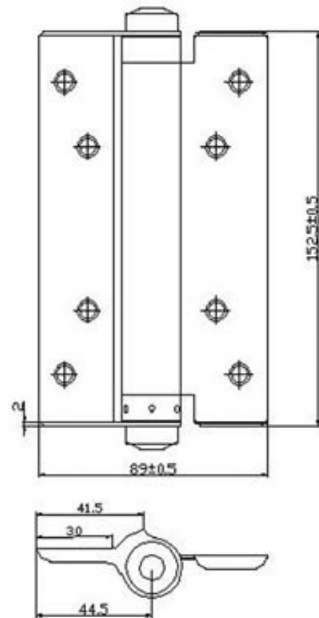
Single Action Spring Hinge 152mm



Code: SS8150



DIMENSIONAL DRAWING:



USAGE:

Single swing doors
 Max width 800mm
 Max weight 65kg – 3 Hinges

MATERIAL:

Stainless Steel, Steel

FINISHES:

SSS

FIXINGS:

Wood screws

DECLARATION OF PERFORMANCE:

044CPR2013-07-01

NOTE:

BS EN 1634-1:2000 60 mins

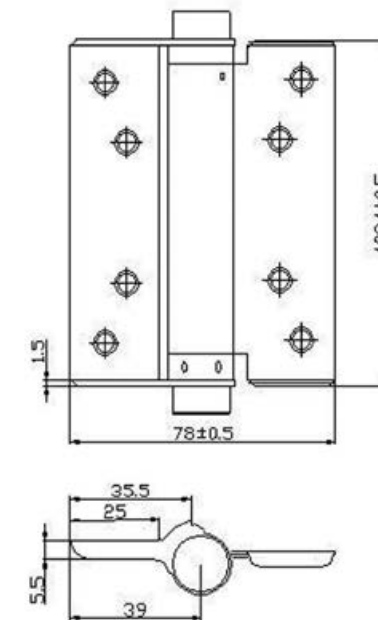
Single Action Spring Hinge 102mm



Code: SS8100



DIMENSIONAL DRAWING:



USAGE:

Single swing doors
 Max weight 40kg – 3 Hinges
 Max height 750mm

MATERIAL:

Stainless Steel, Steel

FINISHES:

SSS

FIXINGS:

Wood screws

DECLARATION OF PERFORMANCE:

043CPR2013-07-01

NOTE:

BS EN 1634-1:2000 60 mins

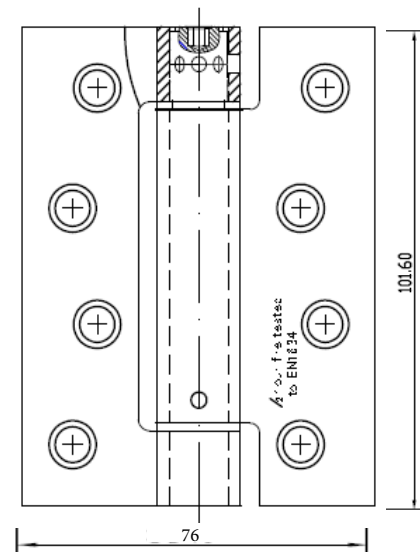
Single Action Spring Hinges 102 x 76 x 2.5mm

FR 30

Code: BH4



DIMENSIONAL DRAWING:



USAGE:

Residential doors
Max weight 40kg – 3 Hinges

MATERIAL:

Steel

FINISHES:



FIXINGS:

Wood screws

NOTE:

BS EN 1634-1:2000 30 mins
Packed in 3's
2 no' spring and 1 no' companion

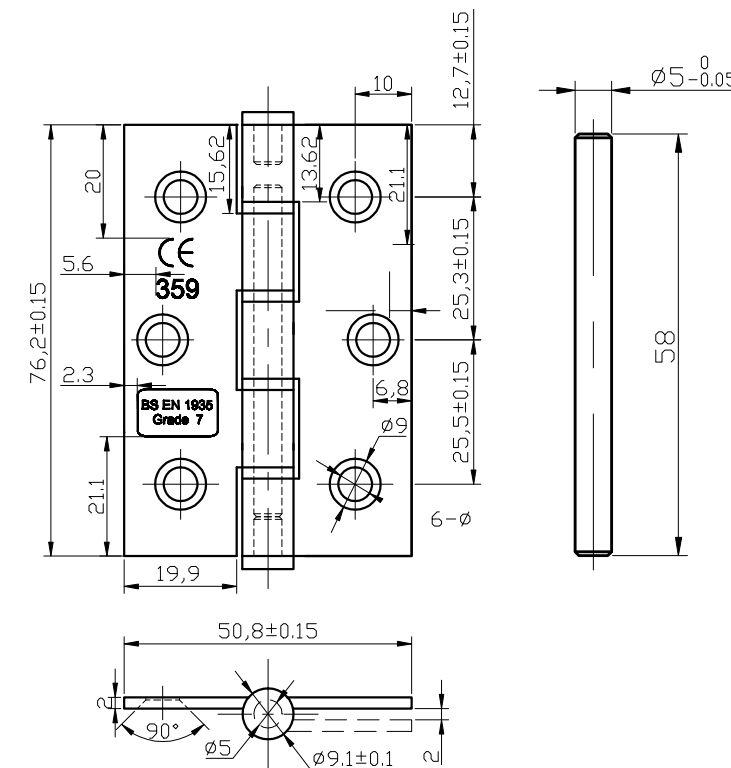
Washed Hinges 76 x 51 x 2mm

FR 30 CE EN

Code: BH3/7



DIMENSIONAL DRAWING:



USAGE:

Residential doors.
Max weight 40kg – 3 Hinges

MATERIAL:

Stainless Steel

FINISHES:



FIXINGS:

Wood screws

DECLARATION OF PERFORMANCE:

049CPR2013-07-01

NOTE:

BS EN1634-1:2000 30 mins

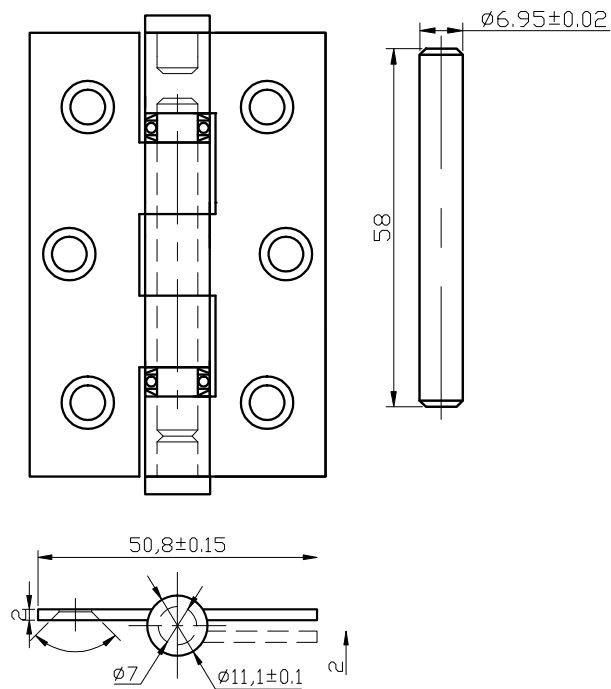
Ball Bearing Hinge 76 x 51 x 2mm



Code: BH1/7



DIMENSIONAL DRAWING:



USAGE:

Residential doors
Max weight 40kg – 3 Hinges

MATERIAL:

Stainless Steel, Steel

FINISHES:



FIXINGS:

Wood screws

DECLARATION OF PERFORMANCE:

048CPR2013-07-01

NOTE:

BS EN1634-1:2000 30 & 60 mins

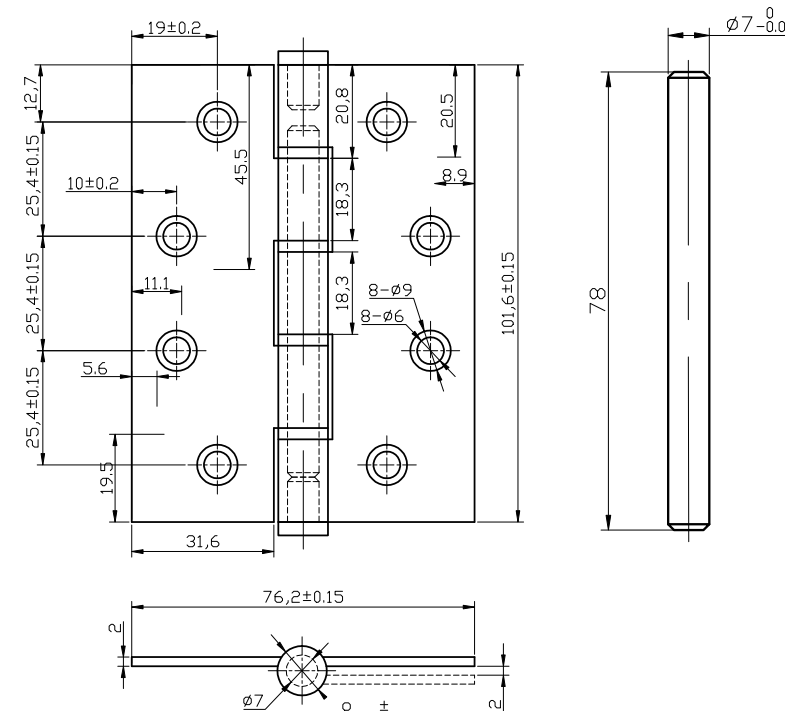
Washed Hinges 102 x 67 x 2.5mm



Code: BH2/7



DIMENSIONAL DRAWING:



USAGE:

Residential doors
Max weight 0kg – 3 Hinges

MATERIAL:

Stainless Steel

FINISHES:



FIXINGS:

Wood screws

DECLARATION OF PERFORMANCE:

051CPR2013-07-01

NOTE:

BS EN1634-1:2000 30 & 60 mins

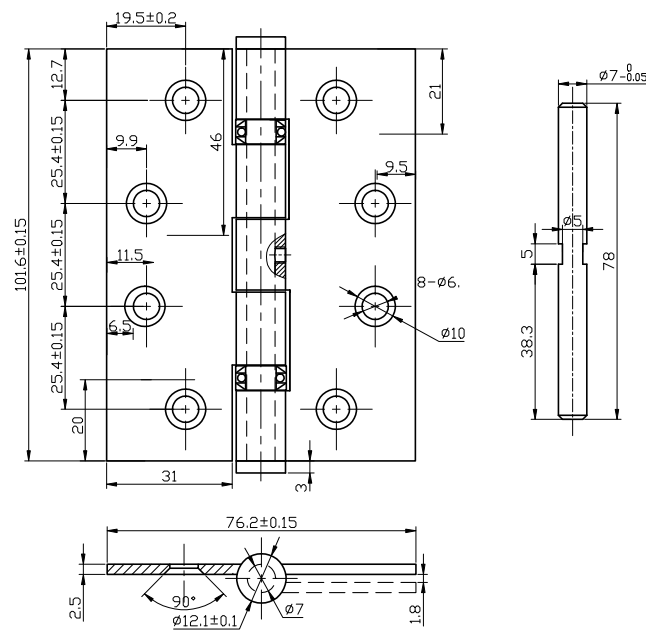
Ball Bearing Hinges 102 x 76 x 2.5mm



Code: BH1/11



DIMENSIONAL DRAWING:



USAGE:

Residential doors.
Max weight 80kg – 3 Hinges

MATERIAL:

Steel

FINISHES:



FIXINGS:

Wood screws

DECLARATION OF PERFORMANCE:

050CPR2013-07-01

NOTE:

BS EN1634-1:2000 30 & 60 mins

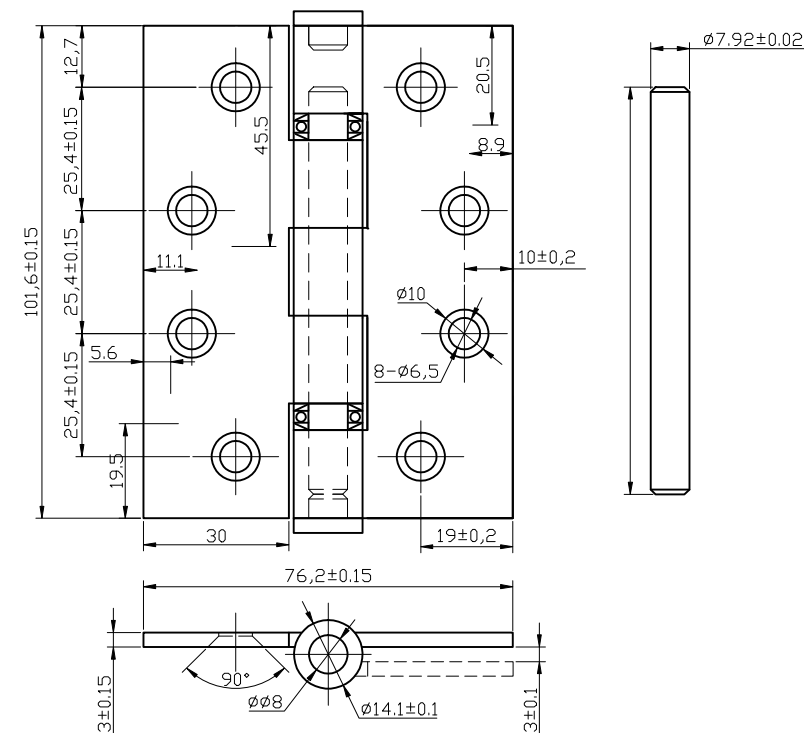
Ball Bearing Hinge 102 x 76 x 3mm



Code: BH1/13



DIMENSIONAL DRAWING:



USAGE:

Commercial and residential doors
Max weight 120kg – 3 Hinges

MATERIAL:

Stainless Steel, Steel

FINISHES:



FIXINGS:

Wood screws

DECLARATION OF PERFORMANCE:

047CPR2013-07-01

NOTE:

BS EN1634-1:2000 30 & 60 mins

Radius available



Code: BH1/13-R

Ball Bearing Hinges 102 x 102 x 3mm | 125 x 102 x 3mm



Code: BH1/13/4
BH1/13/5



DATA & FEATURES:

SIZE (mm)			BS EN 1935	PACK QTY	FIRE TESTED	CERTIFIRE
H	W	T				
102	102	3	13	1 Pair	Yes	No
127	102	3		1 Pair	Yes	No

USAGE:

Residential doors.
Max weight 120kg – 3 Hinges

MATERIAL:

Steel

FINISHES:



FIXINGS:

Wood screws

DECLARATION OF PERFORMANCE:

053CPR2013-07-01

NOTE:

4 x 4 BS EN 1935
BS EN1634-1:2000 60 mins

Lift off butts 102 x 89 x 3mm



Code: LB1



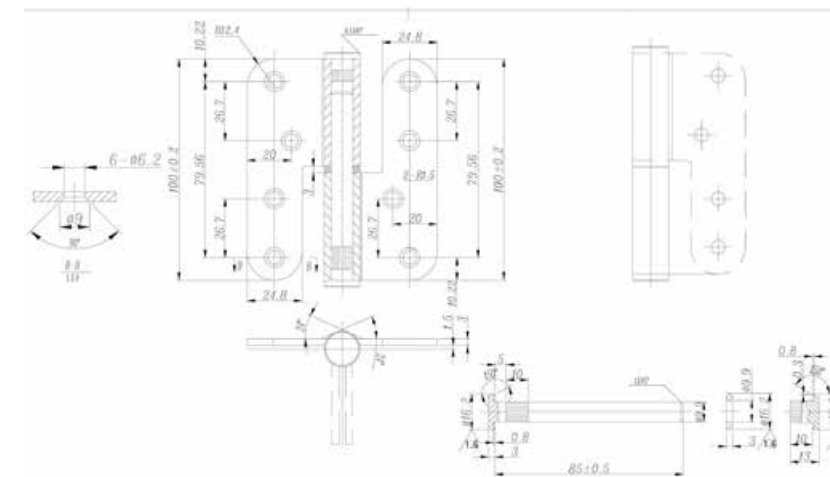
Right hand anti clockwise closing



Left hand clockwise closing



DIMENSIONAL DRAWING:



USAGE:

Commercial and residential doors
Max weight 60kg – 3 Hinges

MATERIAL:

Stainless Steel

FINISHES:



FIXINGS:

Wood screws

DECLARATION OF PERFORMANCE:

019CPR2013-07-01

NOTE:

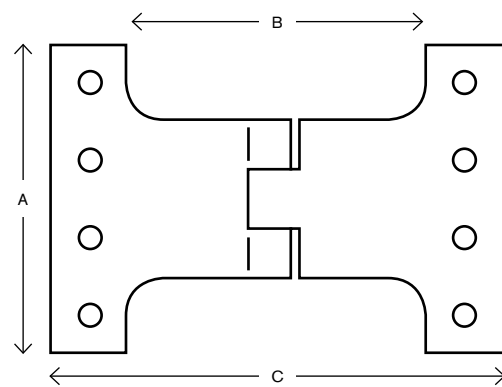
BS EN1634-1:2000 60 mins

Brass Parliament Hinges 102 x 76 x 125 x 4mm

Code: BH5



DIMENSIONAL DRAWING:



USAGE:

Residential doors.
Max weight 60kg – 3 Hinges

MATERIAL:

Brass

FINISHES:



FIXINGS:

Wood screws

NOTES:

A = 102mm
B = 76mm
C = 125mm

Falling Hinges 102 x 76 x 3mm

Code: FB76



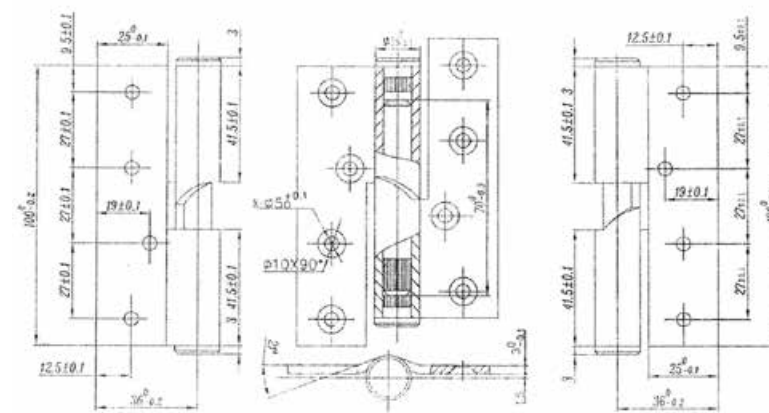
Right hand anti clockwise closing



Left hand clockwise closing



DIMENSIONAL DRAWING:



USAGE:

Residential toilet doors.
Door always open.
Max door weight 45kg – 3 Hinges

MATERIAL:

Stainless Steel

FINISHES:



FIXINGS:

Wood screws

Rising Hinges 102 x 76 x 3mm

Code: RB76



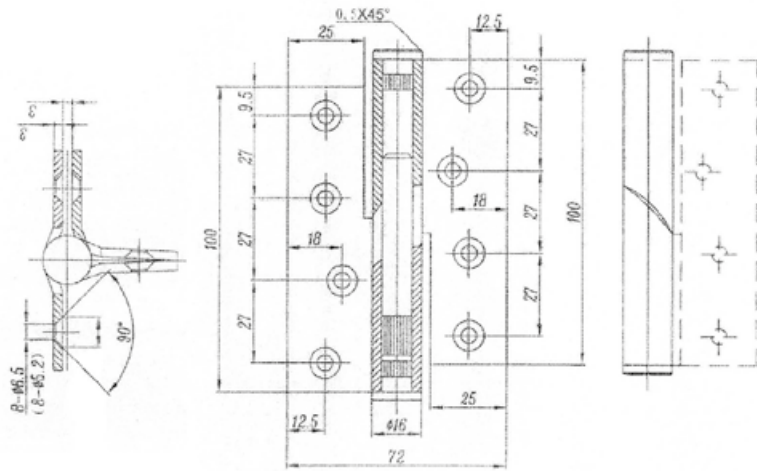
Right hand anti clockwise closing



Left hand clockwise closing



DIMENSIONAL DRAWING:



USAGE:

Residential toilet doors. Closed doors always.
Max door weight 45kg – 3 Hinges

MATERIAL:

Stainless Steel

FINISHES:

SSS

FIXINGS:

Wood screws

Glass Hinges & Accessories

OFFSET HINGE 90°

PCP SCP

Code: GHA-02



OFFSET BRACKET 90°

PCP

Code: GHA-02F



GLASS TO GLASS HINGE 180°

PCP

Code: GHA-05



CENTRE HUNG HINGE 90°

PCP

Code: GHA-01



CENTRE HUNG BRACKET 90°

PCP

Code: GHA-01F



GLASS TO GLASS HINGE 135°

PCP

Code: GHA-04-135



DESIGNER HINGE 90°

PCP

Code: GHJ-01A



DESIGNER BRACKET 90°

PCP

Code: GHJ-01F



DESIGNER GLASS TO GLASS 90°

PCP

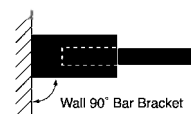
Code: GHJ-02F



HEADER PANEL SUPPORT BAR 90°

PCP

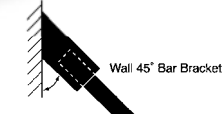
Code: GT-201



HEADER PANEL SUPPORT BAR 45°

PCP

Code: GT-203



GLASS TO GLASS SUPPORT BAR

PCP

Code: GT-204



FURNITURE SSS



CONTENTS:

ROUND BAR LEVERS	94
ACCESSORIES	
8mm	95
5mm	96
DESIGNER LEVERS	97
FLAT PLATE ESCUTCHEONS	98
PULL HANDLES	
Mitred	99
T bar	100
Round Bar	100

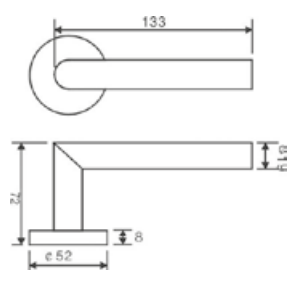
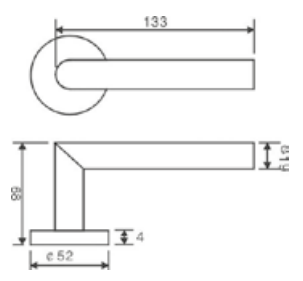
Round Bar Lever Handles



CL-002
52mm X 4mm unsprung



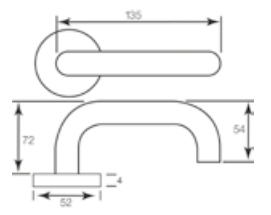
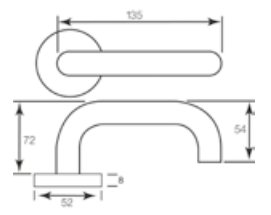
CLS-002
52mm X 10mm sprung



CLS-003
52mm X 10mm sprung



CL-003
52mm X 4mm unsprung



Accessories 8mm

EL2



EL3



EL4I



EL5TS



EL5T



EL7T



EL5I



EL5DT



EL6



NS.SP5/65MM



NS.BTF.60MM
NS.BTF.80MM



Accessories 4mm



E2



E3



E4I



E5TS



E5T



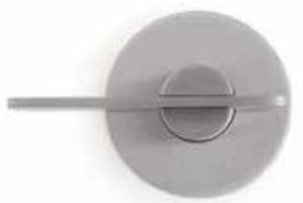
E7T



E5I



E5DT



E6



NS.SP5/65MM



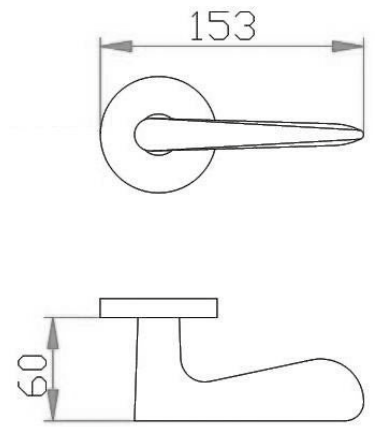
NS.BTF.60MM
NS.BTF.80MM



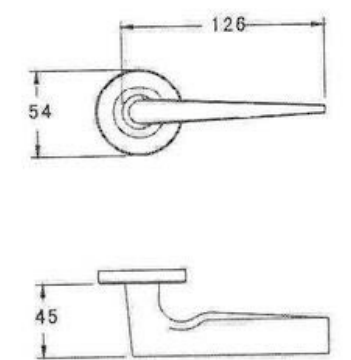
Designer Lever Handles
52mm Sprung Rose



CLS-170



CLS-200



Stick or Screw on Escutcheons



FLAT SCREW PROFILE ESCUTCHEON



Code: FSE2

47 x 63.5 x 1mm



FLAT SCREW KEYWAY ESCUTCHEON



Code: FSE3

47 x 63.5 x 1mm



FLAT SCREW BLANK ESCUTCHEON



Code: FSE6

47 x 63.5 x 1mm



FLAT ADHESIVE PROFILE ESCUTCHEON



Code: FAE2

47 x 63.5 x 1mm



FLAT ADHESIVE KEYWAY ESCUTCHEON



Code: FAE3

47 x 63.5 x 1mm



FLAT ADHESIVE BLANK ESCUTCHEON



Code: FAE6

47 x 63.5 x 1mm



Pull Handles



MSH



CODES	X	Y	Z	FIXING
MSH19	225mm	66mm	19mm	Bolt Through
MSH19	300mm	66mm	19mm	Bolt Through
MSH19	425mm	66mm	19mm	Bolt Through
MSH19	600mm	66mm	19mm	Bolt Through

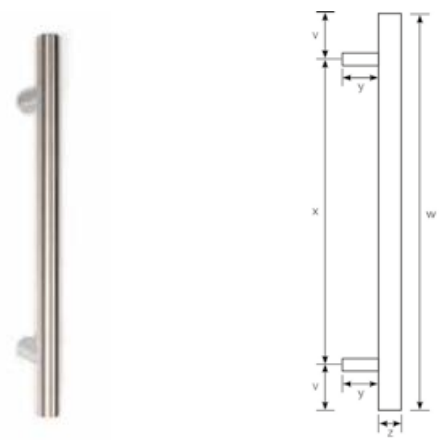
Back to back not stocked

Pull Handles



TSH

SSS

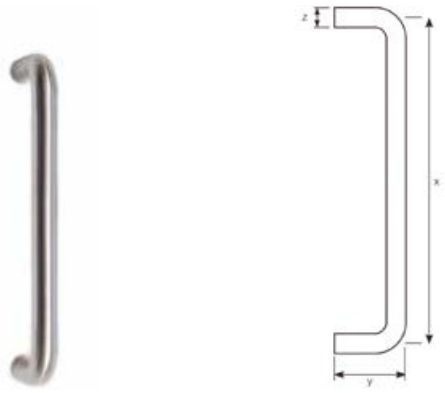


CODES	V	W	X	Y	Z	FIXING
TSH19	50mm	325mm	225mm	66mm	19mm	Bolt Through
TSH19	50mm	400mm	300mm	66mm	19mm	Bolt Through
TSH19	50mm	525mm	425mm	66mm	19mm	Bolt Through
TSH19	50mm	700mm	600mm	66mm	19mm	Bolt Through

Back to back not stocked

ISH

PSS SSS



CODES	X	Y	Z	FIXING
ISH19	152mm	66mm	19mm	Bolt Through
ISH19	225mm	66mm	19mm	Bolt Through
ISH19	300mm	66mm	19mm	Bolt Through
ISH19	425mm	66mm	19mm	Bolt Through
ISH19	450mm	66mm	19mm	Bolt Through
ISH19	600mm	66mm	19mm	Bolt Through
ISH19	650mm	66mm	19mm	Bolt Through

Back to back not stocked

DOOR FINGER GUARD PRODUCTS



CONTENTS:

Finger Shield	102
Finger Shield Professional XL	103
Rear Shield	104

Fingershield Door Finger Guard



Code: FS.1960

**FEATURES:**

- You can rest assured that when Fingershield is installed, finger-trapping injuries will be prevented. Furthermore, you will be safeguarding your establishment from serious compensation claims, that range on average from £3,250 to £7,000
- Over 1.5 million Fingershield devices have been supplied to organisations all over the world, including schools, nurseries and leisure centres.
- Available in a range of colours, Fingershield is functional yet discreet and designed to match or contrast with the colour of your doors.
- A Rearshield device is also available to complement the Fingershield, which is fitted on the rear side of the door. When both devices are used in conjunction, finger-trapping accidents are completely eliminated.

SPECIFICATION:

- Free standard 2 Year Warranty.
- Standard length 1960mm (non-standard sizes available on request).
- UL 4hr Fire Rated.
- Easy to Install.
- Durable and easy to maintain.

APPLICATION:

- Fingershield devices are suitable for a variety of doors, which non-standard sizes available including a wide-fitting 4 panel Fingershield.
- Extensively tested to over 1.8 million opening and closing door cycles, to guarantee long-term durability.
- Installed in schools, nurseries, leisure centres, retail environments and restaurants.

Aluminium
Fingershield Pro XL Door Finger Guard

SILV

Code: FS.Pro.1925

**FEATURES:**

- According to RoSPA there are over 40,000 finger trapping incidents in the UK each year, resulting in thousands of compensation claims – Fingershield PRO XL can protect visitors to your business.
- Fingershield PRO XL is manufactured from aluminium with a strong, fire retardant fabric material kept under constant tensions for maximum durability and finger protection.
- The Fingershield PRO XL has been tested to 1 million opening and closing cycles to ensure long-term durability, enabling us to provide you with a free two year warranty.
- The Rearshield PRO XL device is also available to complement the Fingershield PRO XL and is fitted to the rear hinge side gap of the door.

SPECIFICATION:

- Standard length – 1925mm.
- Fabric material allows for a 260mm maximum opening.
- Housed in standard anodised satin aluminium finish – RA: matched colour options available.
- Rearshield PRO XL supplied with self-adhesive tape for easy fitting.
- 1 Year Warranty.

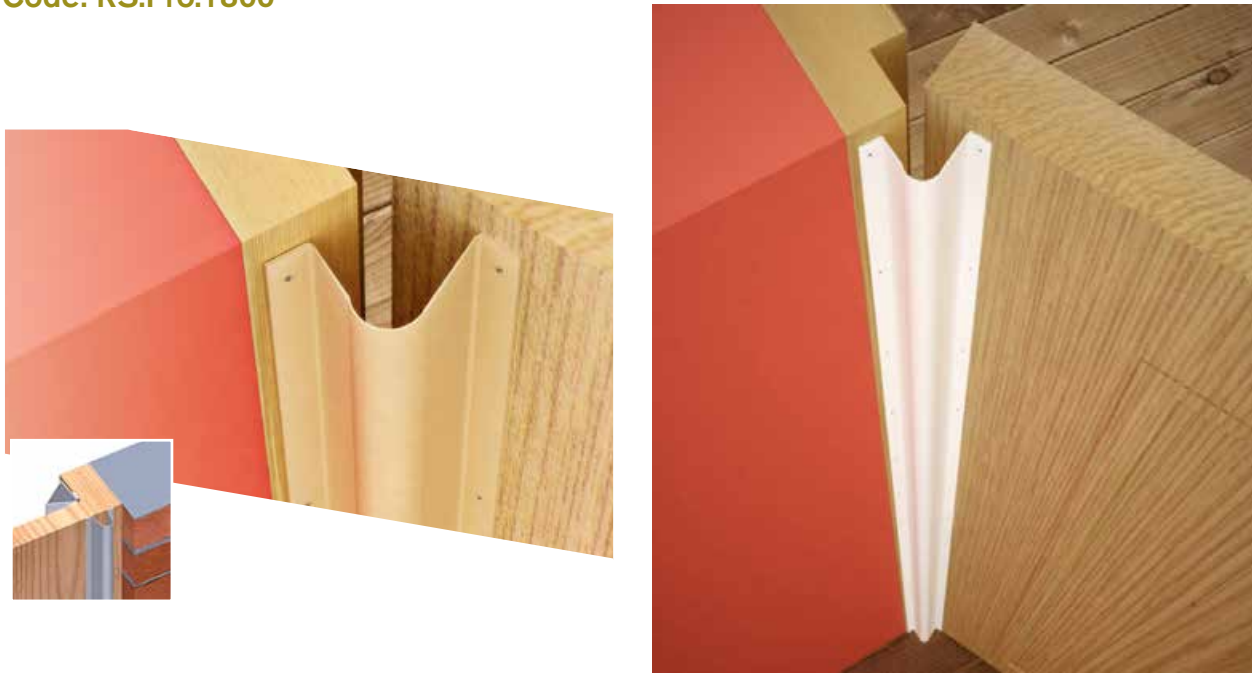
APPLICATION:

- Fingershield and Rearshield PRO XL are robust yet aesthetically pleasing finger protection devices. Suitable for single and double action doors including automatic doors.
- Ideal for hospitals, restaurants, retail and leisure facilities where there are high volumes of traffic and the guards could be subject to heavy impacts.

Rearshield Door Finger Guard



Code: RS.Pro.1800



FEATURES:

- Following the success of the Fingershield device in preventing finger-trapping accidents, a new form of finger protection was developed in 2003 called the Rearshield.
- As a complementary door safety product to the Fingershield device, when combined you have a complete finger protection solution.
- Like the Fingershield device, Rearshields can be fitted to most door types including wood, metal, uPVC. It can also be installed to door, which open to 180 degrees.

SPECIFICATION:

- Free standard 2 Year Warranty.
- Standard length 1960mm (non-standard sizes available on request).
- UL 4hr Fire Rated.
- Easy to Install.
- Durable and easy to maintain.

APPLICATION:

- Rearshield devices are suitable for a variety of doors, which non-standard sizes available upon request.
- Installed in schools, nurseries, leisure centres, retail environments and restaurants.

ANTI-LIGATURE RANGE




CONTENTS:

KNOBS	
Anti-Barricade	106
ESCUTCHEONS	
Over-Ride	107
Anti Tamper	107
PULL HANDLES	
Large and adaption for drawers	108
EASI-PULL Plain	109-110
EASI-PULL Escutcheon combination	111
HANDRAILS	112
WINDOWS	113
WASHROOM	114 -118

TELEVISION CABINET SURROUND	119
------------------------------------	-----

Manufactured to meet the Door & Handle Federation specification TS001



All products marked  are made in the United Kingdom

Anti-Ligature, Anti-Barricade Knobs, Can be adapted to fit only cylinder or spindle



LAZY 'S'



CLUTCH KNOB



CLUTCH TURN



BM KNOB



APPLICATION:

- Provides anti-barricade capability, allowing key holder override even when knob or turn is forcibly restrained
- Suitable for any environment where user safety is a consideration
- Design minimises ligature risk

FEATURES:

- Fits any commercially available cylinder; slight modification may be necessary in some cases
- Suitable for use in vision panels
- Body and mounting plate manufactured from corrosion resistant brass
- Infinite clutch pressure allows variation to suit any proprietary lock case
- Existing master keyed cylinders can be converted by means of extensions rings
- Assembled with less than 0.10mm (0.0025") tolerance between meeting surfaces
- May be fixed to give permanent drive/clutched drive when used as pair of knobs.
- Available in custom sizes as retro-fit replacements for failed turns

FIXINGS:

Suitable for:

- 8mm D Drive
- 10mm D Drive
- 11mm D Drive
- 12mm D Drive
- Assa Flat Drive
- Kaba Style
- Non Indented Type
- 8mm Square Drive

Anti-Ligature, Anti-Tamper Escutcheons and Over-Ride Escutcheons



Code: AL.EL5C

Coach key operated over-ride escutcheon with indicator



Code: AL.EL5

Euro profile key operated over-ride escutcheon with indicator



Code: AL.E2



Code: AL.E5



Code: AL.E6L

5mm	10mm	PRODUCT
AL.E1	AL.EL1	Oval Escutcheon 60mm Dia
AL.E2	AL.EL2	Profile Escutcheon 60mm Dia
AL.E3	AL.EL3	Keyway Escutcheon 60mm Dia
AL.E5	AL.EL5	Indicator, profile Key 60mm Dia. The lock used needs to be adjusted to achieve this function, only available with a lockset.
AL.E6	AL.EL6	Blank Escutcheon 60mm Dia
AL.E6L		Profile Escutcheon plate 110x85mm
AL.E5C	AL.EL5C	Indicator c/w coach key override

APPLICATION:

- Provides an escutcheon capable of over-riding a lock
- Suitable in environments where user safety is a consideration
- Prevents barricade situation

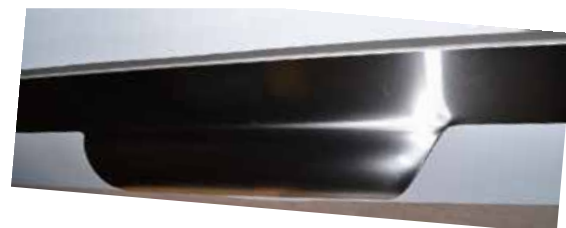
FEATURES:

- As standard manufactured in stainless steel for durability
- Secured with anti-tamper fixings
- Available to suit UK Euro, oval, Scandinavian outer or Scandinavian inner cylinders
- Available in different finishes and materials to order
- Available in different sizes to order

Easi-Pull Pull Handles Ligature Resistant 550mm



Code: AL.IPLH.UC



UC-STYLE EASI-PULL HANDLE:

- Variant of Easi-Pull designed specifically to provide a low maintenance pull handle for external and corridor doors with large footfall
- Designed to provide grip and ease of operation even for users with reduced dexterity
- One-piece design with no open slots minimises hazard risk of ligature.
- Design reduces barricade risk potential; particularly suitable in environments where user safety is a consideration
- Available in different sizes and shapes to order; suitable for new build or retro-fitting in refurbishment
- As standard in stainless steel; also available in polyester powder-coated woodgrain finish or any RAL colour to order
- Three standard fixing methods; back-to-back, face-fix and concealed fix
- Manufactured in solid stainless steel for durability and resistance to corrosion in hard environments
- Small variant being used as a concealed fix on desk draws; also suitable for use on cupboard doors in the vertical plane
- Lock aperture can be incorporated to suit various types of locking mechanism

AVAILABLE:

BB = Back to Back

FF = Face Fixed

CF = Concealed Fix

Easi-Pull Anti Ligature Pull Handles



Code: AL.LRPH

Available fixings: back to back fix, face fix and concealed fix



SIZES (mm)	Back to back fix	Face Fix	Concealed Fix
150 x 50	NS.LRPHB.150	NS.LRPHF.150	NS.LRPHC.150
190 x 40	NS.LRPHB.190	NS.LRPHF.190	NS.LRPHC.190
275 x 50	NS.LRPHB.275	NS.LRPHF.275	NS.LRPHC.275
360 x 70	NS.LRPHB.360	NS.LRPHF.360	NS.LRPHC.360
400 x 75	NS.LRPHB.400	NS.LRPHF.400	NS.LRPHC.400

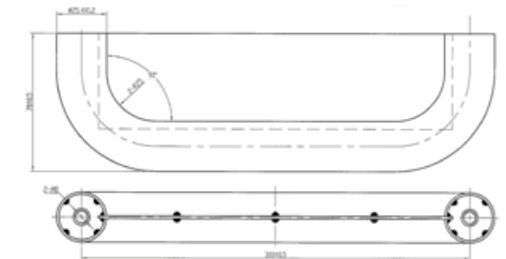
ANTI LIGATURE PULL HANDLE

Code: AG-AL.PH300

Proposed classification in accordance with DHF Technical Specification 001:

Door mounted anti-ligature devices for safety & security purposes: November 05

3	-	-	1	4	3	-	A
---	---	---	---	---	---	---	---



LIGATURE-RESISTANT CYLINDER PULLS



Code: AL.CYLPUL



APPLICATION:

- Provides door furniture for environments where user safety is a consideration
- Designed to minimise ligature and hazard risk

FEATURES:

- Manufactured in steel for durability
- As standard in chrome or brass; other finishes available to order

Easi-Pull Pull Handles Ligature Resistant 300 x 50mm



Code: AL.IPLH.DOR



DORAS-STYLE EASI-PULL HANDLE:

- Designed to minimise ligature risk while still allowing excellent grip ability for users with reduced dexterity
- Available in our standard 3 styles of fixings
- Features a single operation over-ride system that can be matched to existing operating method used on, for instance, vision panels; obviates need for staff to carry additional operator tools or keys
- Manufactured in stainless steel for durability and resistance to corrosion; one-piece construction facilitates easy maintenance of hygiene standards
- Solid construction with variable fixing centres
- As standard in stainless steel; also available in any RAL colour to order
- Suitable for retro-fit; available sized to cover over existing apertures from previous fittings
- Three standard fixing methods; back-to-back, face-fix and concealed-fix
- Bespoke variations available to order
- Face fixed only



Easi-Pull Handles-Escutcheon Combination – Ligature Resistant



APPLICATION:

- Provides a pull handle suitable for any commercial environment; variants available to suit individual requirements such as handle with indicator, lock profile cut-out, square backplate
- Suitable for any environment where user safety is a consideration; designed to minimise hazard risk
- Ergonomic Easi-Pull design allows easy operation, suitable in facilities where reduced user dexterity or strength is a consideration

	PLAIN	PZ	INDICATOR	BB	FF	CF
AL.IPLH.150	X	NA	NA	X	X	X
AL.IPLH.190	X	NA	NA	X	X	X
AL.IPLH.275	X	NA	NA	X	X	X
AL.IPLH.360	X	NA	NA	X	X	X
AL.IPLH.400	X	X	X	X	X	X

NA = Not Available X = Stock Item

Anti Ligature Handrails

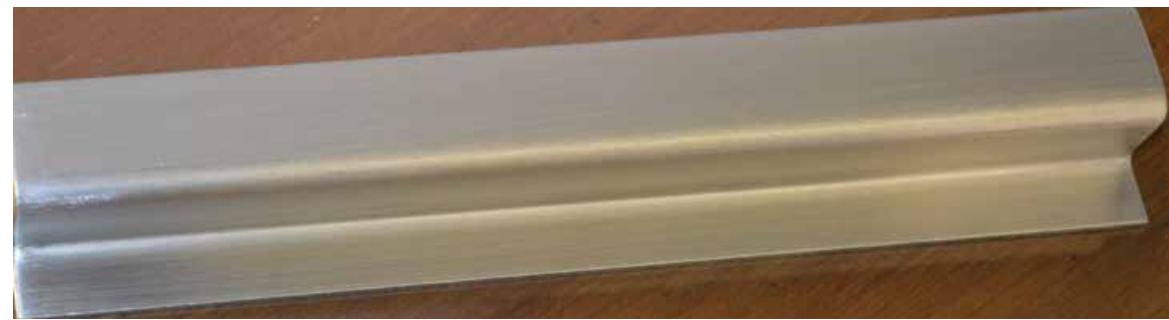


Code: AL.ISWR



APPLICATION:

- Provides a shower room handrail suitable for environments where user safety is a consideration; ligature resistant by design
- Manufactured in stainless steel for strength and durability; secured with stainless steel anti-tamper fixings for durability
- Will not suffer material fatigue or be affected by heat or sunlight, unlike plastic handrails
- Available in two different design styles; each style available with differing standoff from the wall to suit wide range of client types
- As standard in stainless steel; also available in polyester powder-coated finish
- Stainless steel material aids maintenance of hygiene standards

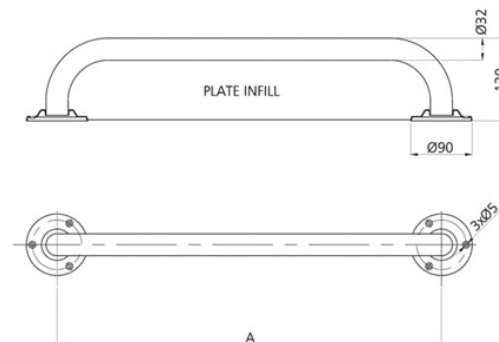


ANTI LIGATURE STAINLESS STEEL GRAB RAIL WITH PLATE INFILL



- Vandal resistant stainless steel construction
- Ligature free design

CODE	A
NS.AL.PH450	450
NS.AL.PH600	600



Anti Ligature Window Handle



Code: AL.IWINH200CK.R | AL.IWINH200CK.L



Cockspur Variant



Extra Fixings Espagnolette Variant

APPLICATION:

- Provides a window handle in environments where standard window handles are not suitable due to safety considerations
- Handle operated by key holder to prevent tampering
- Designed to minimise ligature risk
- Ergonomic design ensures simple operation
- Manufactured in Stainless Steel, Zintec or Aluminium for durability; steel cockspur tongue provides additional strength
- Available as either cockspur or square-driven multi-point window locks
- Multiple other variants available to order; available sized up to full width of window to order
- Suitable for vertical and horizontal sash windows
- Available to fit espagnolette-type window fittings with fixing bolts matching existing screw centres
- As standard in satin stainless steel; available in polyester powder-coated finish and RAL colour coating to order



Variable Height Espagnolette Variant



Short Espagnolette Variant

Anti Vandal Anti-Ligature Automatic Soap Dispenser and Guard



Guard Code: AL.ISD to suit Rubbermaid

Dispenser Code: AL.ISD.D to suit Deb

- Anti-vandal installed recessed into wall to improve resistance to damage
- Lock can be made to suit existing master keyed suit



APPLICATION:

- Provides a liquid soap dispenser unit suitable for high wear-and-tear environments
- Suitable for environments where user safety is a consideration; minimises hazard risk
- Designed to aid easy maintenance and hygiene standards

FEATURES:

- Manufactured in stainless steel for durability
- Installed recessed into wall to improve resistance to damage
- Lock can be made to suit existing masterkeyed suite to avoid unnecessary additional keys
- Locked access panel allows simple routine maintenance and replacement of soap refills
- Face Fixing as standard
- Concealed fixing by special order

Anti-Vandal Anti-Ligature Paper Towel Dispenser



Code: AL.ISTD



TYPE	DESCRIPTION	SIZE
A	Slimline	450 x 235 x 95mm
B	Standard	450 x 235 x 140mm
C	Double	1000 x 550 x 140mm

APPLICATION:

- Provides a unit to dispense washroom products in high wear-and-tear environments
- Available as paper towel dispenser or combined soap & towel dispenser
- Suitable for environments where user safety is a consideration; minimises hazard risk
- Designed to aid easy maintenance and hygiene standards

FEATURES:

- Manufactured in 1.5mm stainless steel with 2mm thick cover plate for durability and damage resistance
- Available with highly scratch resistant 2mm polished stainless steel front to provide built-in mirror
- Suitable for standard proprietary paper towels; available to suit non-standard towels to order
- Installed either surface mounted or as concealed fix by recessing into wall
- High security, anti-tamper lock secures unit while allowing easy-action removal of cover for routine maintenance and towel refill, alternatively can be fitted with shaped camlock
- Stainless steel materials aids maintenance of hygiene standards
- As standard in satin stainless steel; available in other finishes to order
- Available under various master keyed suites
- Replacement front plate available

Anti-Vandal Anti-Ligature Locking Flush Fitting Waste Bin



Code: AL.IWB



* Can be made to any size required

APPLICATION:

- Provides a recessed, wall mounted waste receptacle suitable for any high wear-and-tear environment
- Suitable in environments where user safety is a consideration
- Designed to aid easy maintenance and hygiene standards

FEATURES:

- Manufactured in stainless steel for durability and damage resistance
- Installed by recessing into wall to improve damage resistance
- Choice of locking mechanisms
- Available under a secure master key system
- Stainless steel material facilitates maintenance of hygiene standards
- As standard finished in satin stainless steel; available in other finishes to order
- As standard sized at 450mm high x 350mm wide x 200mm deep; available in custom sizes to order

Anti Ligature

ANTI LIGATURE SOAP DISPENSER

Code: NS.AL.005

- Unique magnetic bracket system gives away under abnormal force
- Variety of accessories available on similar mounting plate



ANTI LIGATURE SOAP DISH

Code: NS.AL.006

- Unique magnetic bracket system gives away under abnormal force
- Variety of accessories available on similar mounting plate



ANTI LIGATURE PAPER TOWEL DISPENSER

Code: NS.AL.007

- Unique magnetic bracket system gives away under abnormal force
- Variety of accessories available on similar mounting plate



STAINLESS STEEL MIRROR

- High quality 1.2mm thick highly polished stainless steel mirror

	A (mm)	B (mm)
NS.AL.008.700	450	700
NS.AL.008.1000	400	1000



ANTI LIGATURE SHOWER CURTAIN TRACK

- Unique magnetic bracket system gives way under abnormal force
- High quality flexible plastic curtain track which cannot be used as a weapon

	A (mm)	B (mm)
NS.AL.009	750	750
NS.AL.0010	1200	1200
NS.AL.0011	160	750

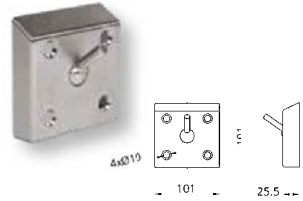


Anti Ligature

ANTI LIGATURE COLLAPSIBLE ROBE HOOK

Code: NS.AL.001

- Vandal resistant stainless steel construction
- Ligature free design



ANTI LIGATURE MULTIPLE HOOK

Code: NS.AL.0015

- Ligature free design



ANTI LIGATURE TOWEL RAIL

Code: NS.AL.002

- Unique magnetic bracket system gives away under abnormal force
- Light weight durable aluminium rail
- Length 500mm



ANTI LIGATURE SHELF

Code: NS.AL.003

- Unique magnetic bracket system gives away under abnormal force
- Variety of accessories available on similar mounting plate



ANTI LIGATURE TOILET ROLL HOLDER - LOCKABLE

Code: NS.AL.004

- Unique magnetic bracket system gives away under abnormal force
- Variety of accessories available on similar mounting plate



Anti-Vandal Anti-Ligature Television Cabinet Surround



Code: AL.1TVGTV



APPLICATION:

- Prevents damage to a wall mounted flat-screen television unit without compromising viewing or function
- Suitable in environments where user safety is a consideration; designed to minimise hazard risk
- Designed to minimise ligature risk

FEATURES:

- Unique patent pending cabinet feature protects against damage by liquids or aerosols
- 10mm thick polycarbonate screen and durable metal surround protects against impact damage
- High security screen lock can be matched to existing masterkeyed suite, avoiding need for additional keys
- Ventilation apertures allow heat dissipation without the need for any electrical components and circuitry
- Manufactured in corrosion resistant metal for durability; lightweight enough to allow single person installation; designed to allow easy positioning of television mounting plate and cabinet surround
- Aesthetic appearance enhanced by minimal projection off the wall, available in polyester powder-coated finish or RAL colour to order
- As standard suits any television up to 90mm deep; available in three standard screen sizes, other screen sizes available to order
- Excludes TV

AVAILABLE SIZES:

535 x 375mm

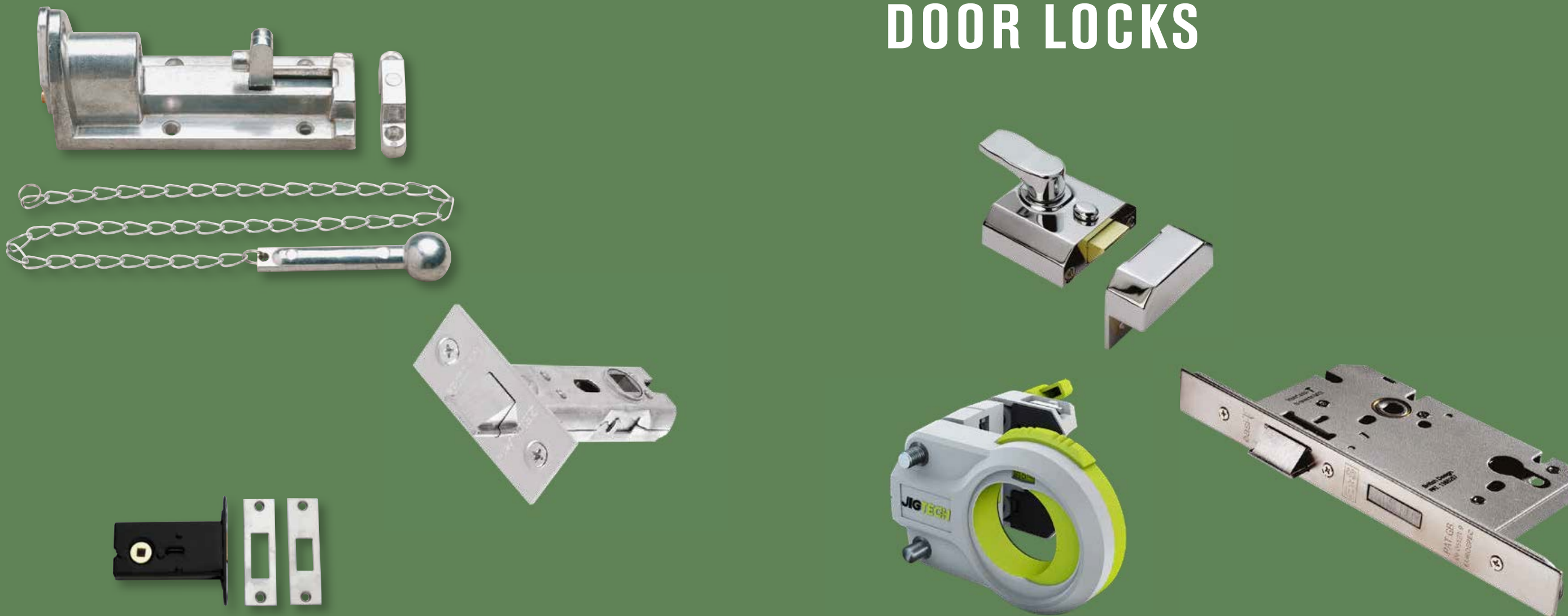
750 x 450mm


900 x 600mm

1200 x 750mm

Clear aperture

DOOR LOCKS



All products marked  are made in Italy

CONTENTS:

MAGNETIC DIN LOCKS

Cylinder 60mm	122
Bathroom 60mm	123

STANDARD DIN LOCKS

Sash 60 & 55mm	124-126
Latch 60 & 55mm	127-129
Dead 60 & 55mm	130-132
Bath 60 & 55mm	133-135
Night Latch 60mm	136-139
Class Room 60mm	140
Escape Dead Lock 60mm	141
Escape Sash Lock 60mm	142

JIG TECH

Lock Morticing Kit	143
--------------------	-----

UK SIZE LOCKS

Standard and Tubular Latch	145
Sash Lock – 3 Lever, Profile and UK Oval	146
Dead Lock – 3 Lever, Profile and UK Oval	147
Bathlock	148
Mortice Bathroom Deadbolt	148

REBATE KITS

Din	148
UK	148

ADJUSTABLE ROLLER CATCH

	148
--	-----

BS KITEMARKED LOCKS

5 Lever Sash Locks	149
Double Cylinder	150
Double Cylinder and Turn	151
5 Lever Dead Locks	152
Double Cylinder	153
Double Cylinder and Turn	154

RIM LOCKS AND NIGHTLATCH

Roller Bolt	155
Rim Dead Bolt	156
Rim Cylinder	156
Locking Latch Bolt	157
Non Locking Latch Bolt	158
Rim Lever Locks	159
Espagnolette Bolt	159

PANIC BOLTS AND LATCHES

UK Standard Device	160
Heavy Duty Device	161
Break Glass Device	162

NON STANDARD STRIKES

Heavy Duty Sash Lock	163
Heavy Duty Roller Bolt Lock	164
Rim Electric Strike	165

DOUBLE SWING STRIKES

See Pages 34-36

60mm Polaris Magnetic Lock 2XT – Cylinder Lock 96mm c/c



DESCRIPTION:

Magnetic flush-mounted lock. The central latch is in plastic material, with the same colour of the forend.

The bathroom lock blocks the latch also functioning as bolt but leaving the handle free to go down.

The lock features no protuberances on the forend, thanks to the latch which is entirely retracted into the casing. Steel front (18mm) with rounded edge, 35,5, 50,5 and 60,5mm backset. Centre, 96mm. Knob-plate, 6mm. Steel lockcase with through screw-holes for handle assembly.

APPLICATION:

The symmetrical, magnetic latch makes the lock right/left handed

MOUNTING:

Cut a slot and include a milled component on the panel (dimensions in drawing). Fix the lock with two screws (3,5x20mm).

NOTE:

Special packaging with only one key differ inside are available on request for industrial applications.
BS EN 1634-1:2000

DATA & FEATURES:

STEEL

BACKSET	FINISH	CODE
60	PB	B06103.60.03.864
	PNP	B06103.60.06.864
	BRZ	B06103.60.22.864
	MC	B06103.60.34.864
	SB	B06103.60.24

60mm Polaris Magnetic Lock 2XT – 8mm Bathroom Lock, 8mm Hub, 85mm c/c



DESCRIPTION:

Magnetic flush-mounted lock. The central latch is in plastic material, with the same colour of the forend.

The bathroom lock blocks the latch also functioning as bolt but leaving the handle free to go down.

The lock features no protuberances on the forend, thanks to the latch which is entirely retracted into the casing. Steel front (18mm) with rounded edge, 35,5, 50,5 and 60,5mm backset. Centre, 96mm. Knob-plate, 6mm. Steel lockcase with through screw-holes for handle assembly.

APPLICATION:

The symmetrical, magnetic latch makes the lock right/left handed

MOUNTING:

Cut a slot and include a milled component on the panel (dimensions in drawing). Fix the lock with two screws (3,5x20mm).

NOTE:

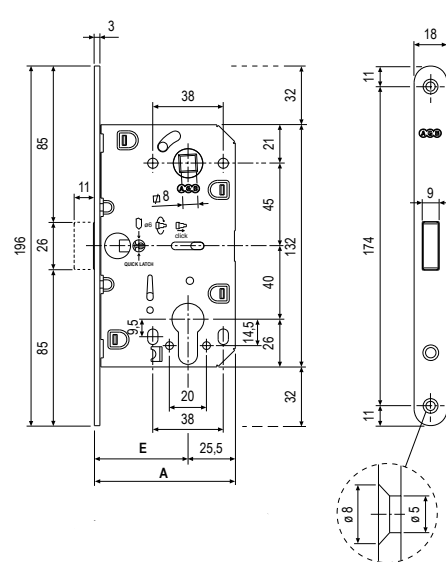
BS EN 1634-1:2000

DATA & FEATURES:

STEEL

BACKSET	FINISH	CODE
60	PB	B06197.60.03.864
	PNP	B06197.60.06.864
	BRZ	B06197.60.22.864
	SB	B06197.60.24.864
	MC	B06197.60.34.864

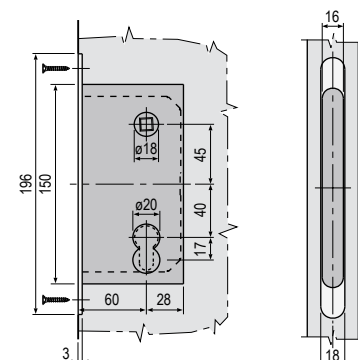
UNI 9171



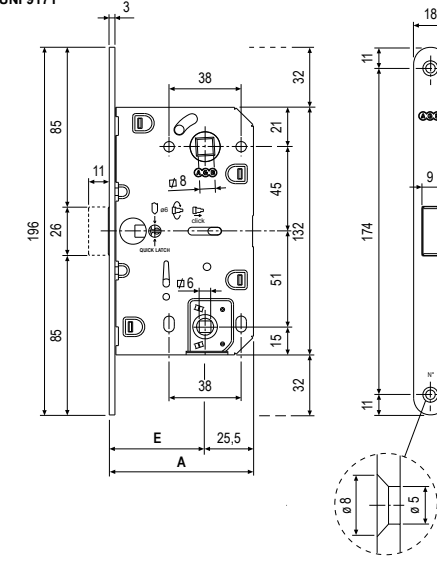
Polaris 2XT and Mediana Evolution are certified according with the regulation EN 12209

E	A
35,5	61
50,5	76
60,5	86

Drilling diagram

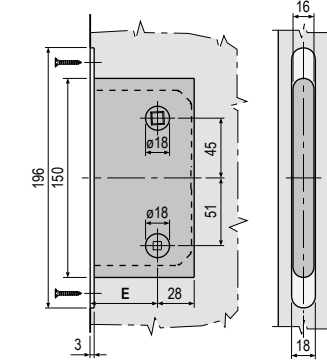


UNI 9171



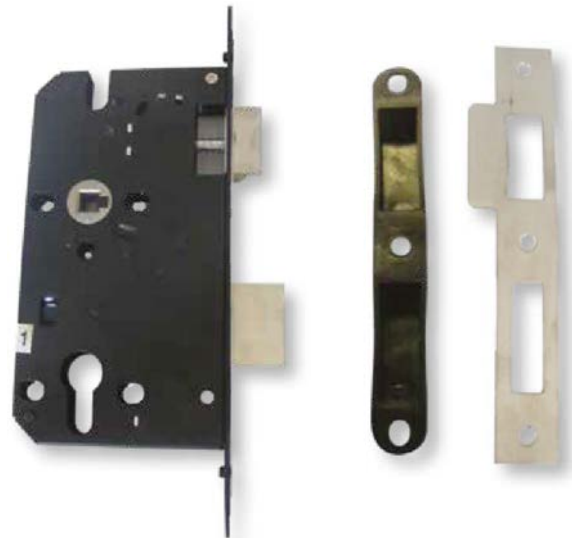
E	A
35,5	61
50,5	76
60,5	86

Drilling diagram



60mm Sash Lock Case (Interchangeable forends)

Code: SL1



FUNCTIONAL CRITERIA:

1. Lever handle withdraws latch bolt.
2. Latch bolt is reversible.
3. Cylinder double throws dead bolt to 22mm.
4. Cylinder withdraws latch.
5. 60mm backset. 72mm centres.
6. Strike includes dust caps in white.
7. Radius or square forend interchangeable available.

CLASSIFICATION:

1121-CPD-AQ0017:2005

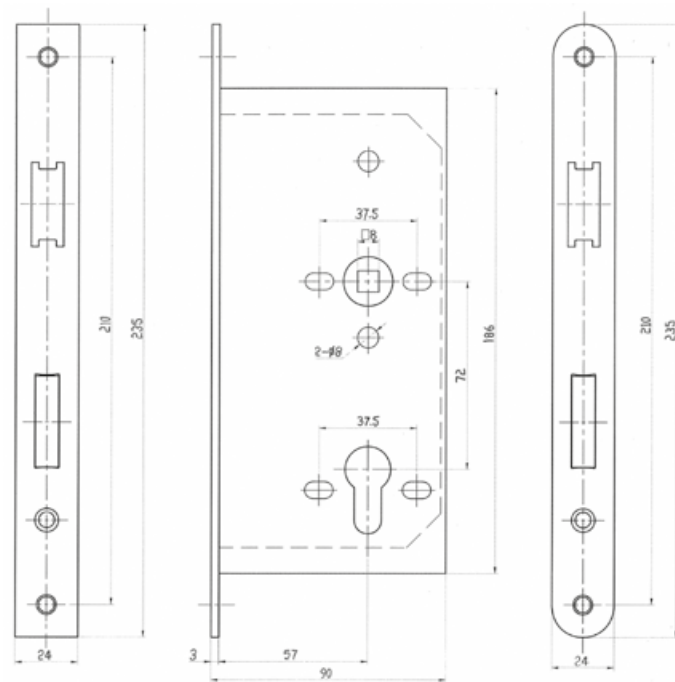
2	X	8	1	0	F	2	B	A	2	0
---	---	---	---	---	---	---	---	---	---	---

BS EN 12209:2003

FIRE TESTED:

BS 1634-1 2000 & BS 476 Part 22. 60 minutes

DIMENSIONAL DRAWING:



DIMENSIONAL REQUIREMENTS:

Meets the dimensional requirements of BS 8300

DIN 18251

ADDITIONAL REQUIREMENTS:

13mm & 25mm rebates available.
Intumescent pack available.

60mm Easi-T Din Euro Profile Sashlock



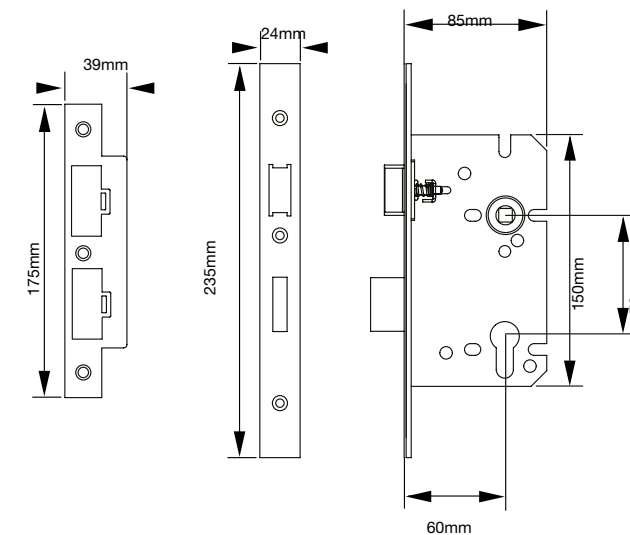
DIMENSIONAL DRAWING:

CODE	CLASS	DESCRIPTION	FINISH	REBATE
DLS7260EP	DIN Euro Sash	Easi-T Din Euro Profile Sashlock 60mm Backset, 72mm c/c	SSS	0.5" ARDS5005 PVD/SSS
FSF5017/R	Accessory	Radius Forend, Strike and Fixing Pack	BSS/PVD/SSS	
FSF5017	Accessory	Radius Forend, Strike and Fixing Pack	BSS/PVD	

CLASSIFICATION:

3	M	8	1	0	F	3	B	A	2	0
---	---	---	---	---	---	---	---	---	---	---

BS EN 12209

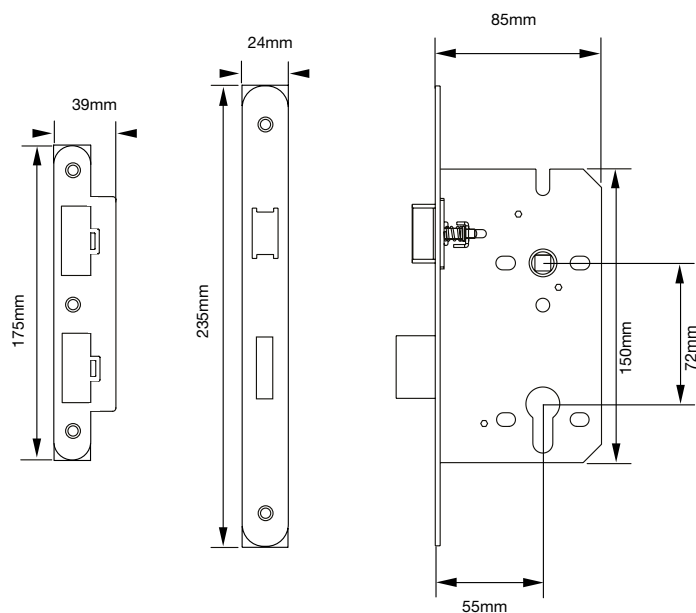


55mm Contract Din Euro Profile Sashlock



DIMENSIONAL DRAWING:

CODE	CLASS	DESCRIPTION	FINISH	REBATE
DLE7255EP	DIN Euro Sash	Contract DIN Euro Profile Sashlock 55mm	PVD/SSS	0.5" ARDE5005
DLE7255EP/R	DIN Euro Sash	Contract DIN Euro Profile Sashlock 55mm Radius	PVD/SSS	



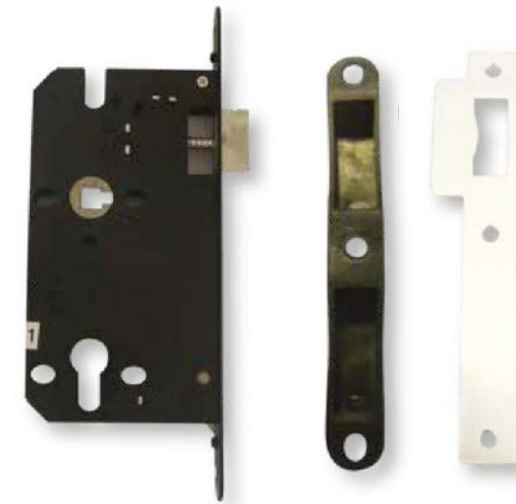
CLASSIFICATION:

3 M 8 1 0 F 3 B C 0 0
BS EN 12209

60mm Latch Case (Interchangeable forends)



Code: LL1



FUNCTIONAL CRITERIA:

1. Lever handle withdraws latch bolt.
2. Latch bolt is reversible.
3. Cylinder withdraws latch.
4. 60mm backset. 72mm centres.
5. Strike includes dust caps in black.
6. Radius or square forend available.

CLASSIFICATION:

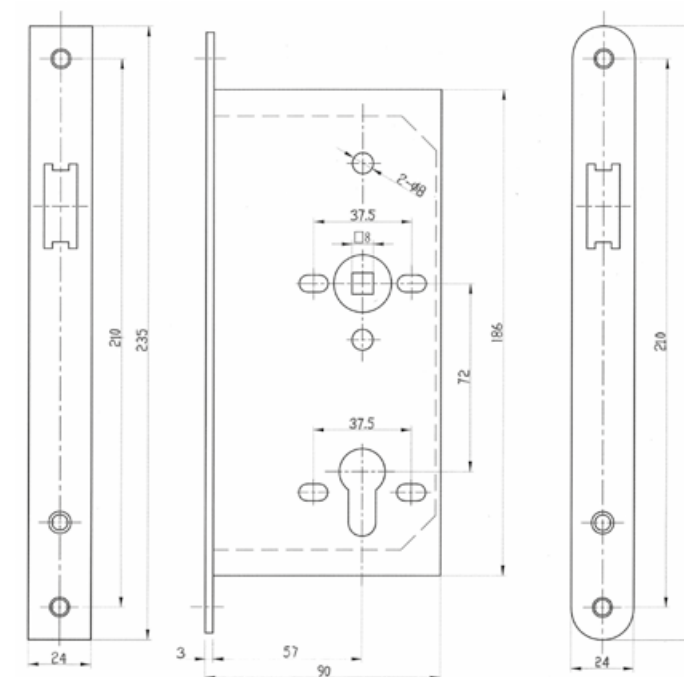
1121-CPD-AQ0017:2005

2 X 8 1 0 F - B 0 2 0

FIRE TESTED:

BS 1634-1 2000 & BS 476 Part 22. 60 minutes

DIMENSIONAL DRAWING:



DIMENSIONAL REQUIREMENTS:

Meets the dimensional requirements of BS 8300
DIN 18251

ADDITIONAL REQUIREMENTS:

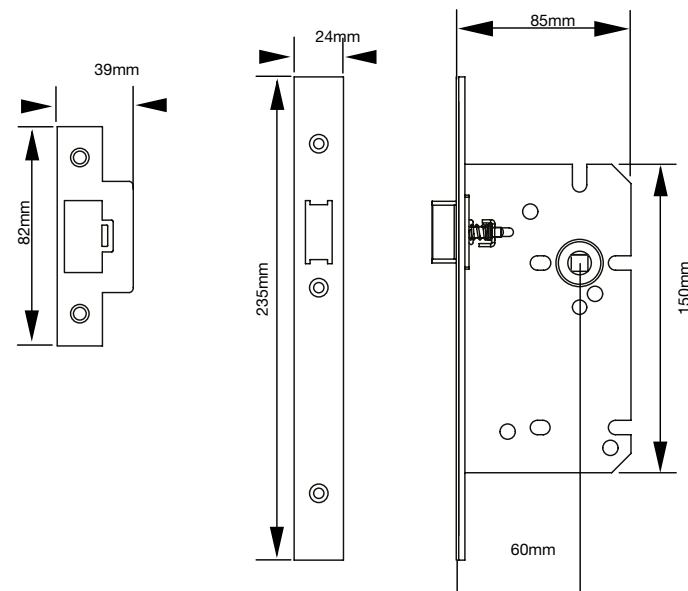
13mm & 25mm rebates available.
Intumescent pack available.

60mm Easi-T Din Latch



DIMENSIONAL DRAWING:

CODE	CLASS	DESCRIPTION	FINISH	REBATE
DLS0060L	DIN Latch	Easi-T DIN Latch 60mm Backset	SSS	0.5" ARDS5005 PVD/SSS
FSF5016/R	Accessory	Radius Forend, Strike and Fixing Pack	BSS/PVD/SSS	
FSF5016	Accessory	Radius Forend, Strike and Fixing Pack	BSS/PVD	



CLASSIFICATION:

3 M 8 1 0 F - B 0 2 0

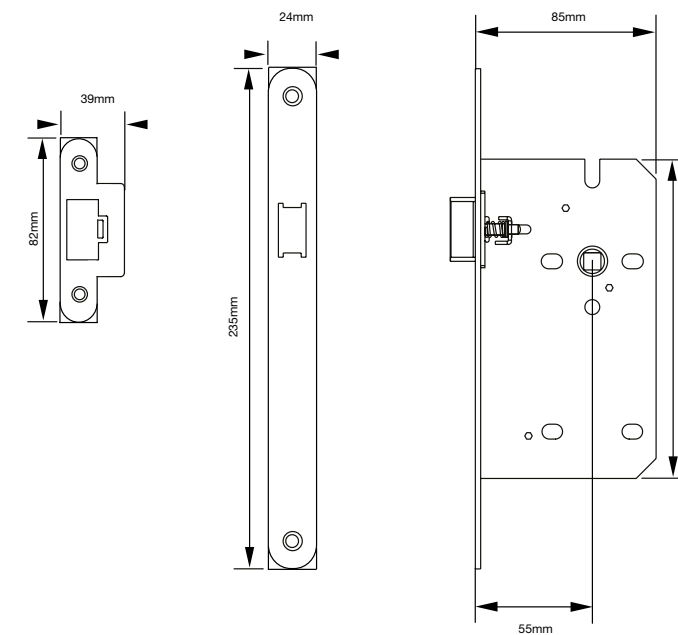
BS EN 12209

55mm Contract Din Latch



DIMENSIONAL DRAWING:

CODE	CLASS	DESCRIPTION	FINISH	REBATE
DLE0055LP	DIN Latch	Contract DIN Latch 55mm	PVD/SSS	0.5" ARDE5005
DLE0055L/R	DIN Latch	Contract DIN Latch 55mm Radius	PVD/SSS	0.5" ARDE5005



CLASSIFICATION:

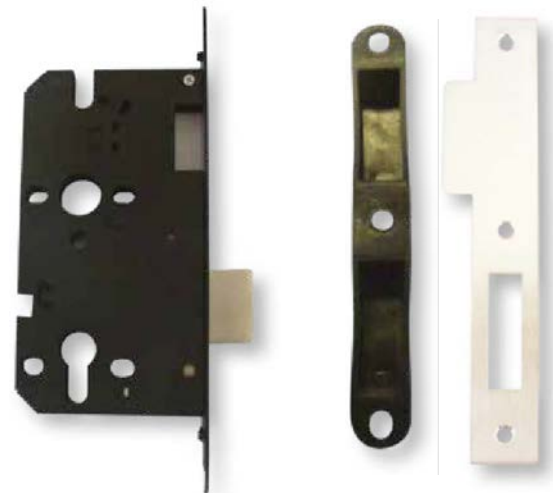
3 M 8 1 0 F - B 0 2 0

BS EN 12209

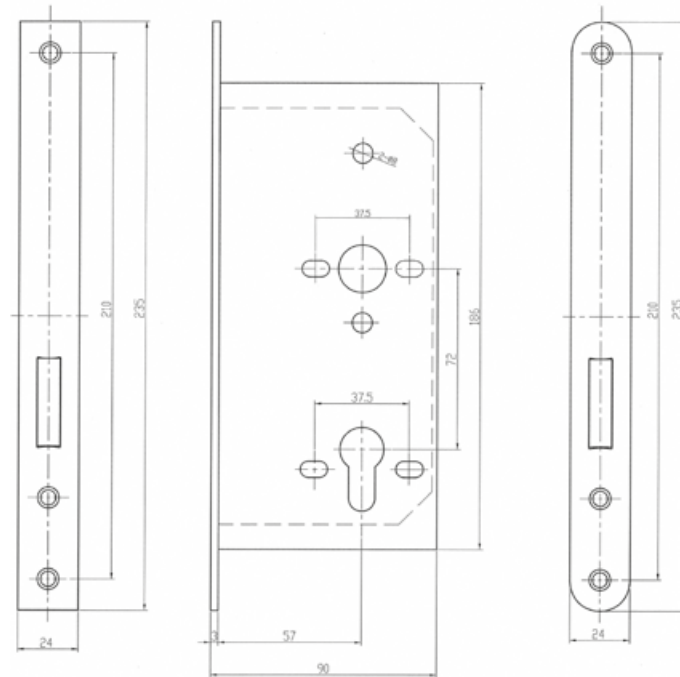
60mm Dead Lock Case (Interchangeable forends)



Code: DL1



DIMENSIONAL DRAWING:



FUNCTIONAL CRITERIA:

1. Cylinder double throws dead bolt to 22mm.
2. 60mm backset.
3. Strike includes dust caps in white.
4. Radius or square forend interchangeable available.

CLASSIFICATION:

1121-CPD-AQ0017:2005



FIRE TESTED:

BS 1634-1 2000 & BS 476 Part 22. 60 minutes

DIMENSIONAL REQUIREMENTS:

DIN 18251

ADDITIONAL REQUIREMENTS:

13mm & 25mm rebates available.
Intumescent pack available.

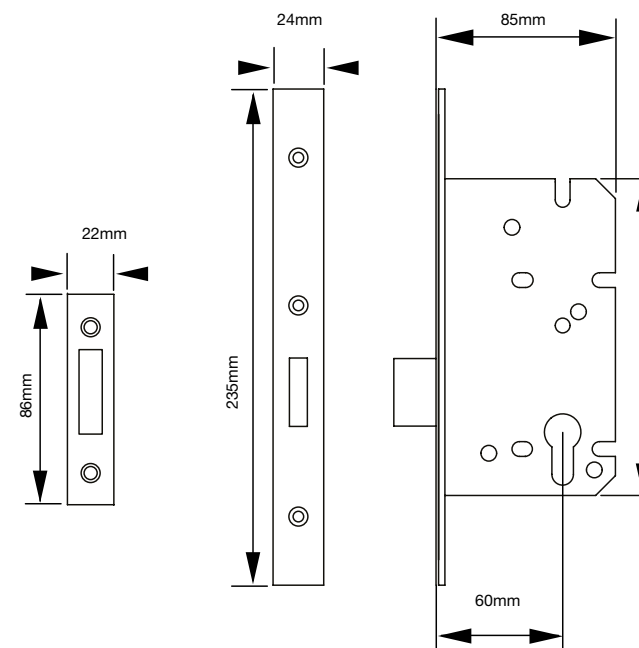
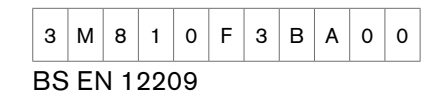
60mm Easi-T Din Euro Profile Deadlock



DIMENSIONAL DRAWING:

CODE	CLASS	DESCRIPTION	FINISH	REBATE
DLS0060EP	DIN Euro Dead	Easi-T Din Euro Profile Deadlock 60mm Backset	SSS	0.5" ARDS5005 PVD/SSS
FSF5015/R	Accessory	Radius Forend, Strike and Fixing Pack	BSS/PVD/SSS	
FSF5015	Accessory	Radius Forend, Strike and Fixing Pack	BSS/PVD	

CLASSIFICATION:

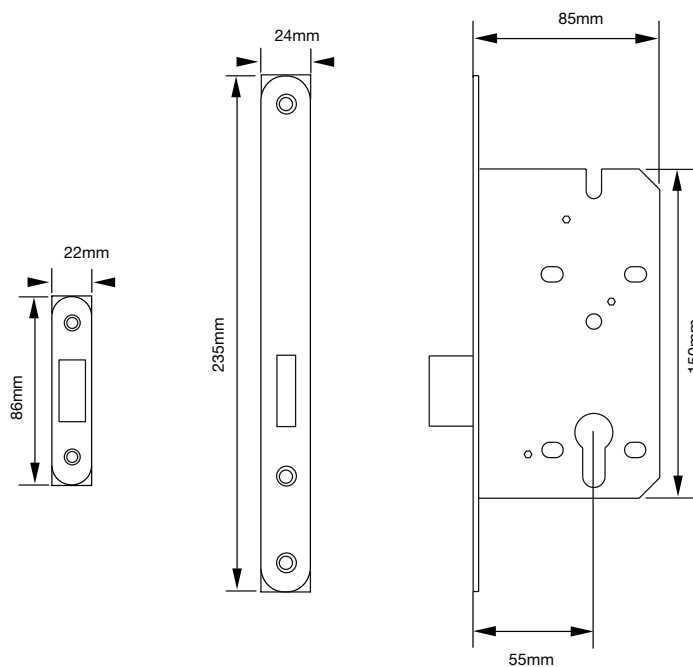


55mm Contract Din Euro Profile Deadlock



DIMENSIONAL DRAWING:

CODE	CLASS	DESCRIPTION	FINISH	REBATE
DLE0055EP	DIN Euro Dead	Contract DIN Euro Profile Deadlock 55mm	PVD/SSS	0.5" ARDE5005
DLE0055EP/R	DIN Euro Dead	Contract DIN Euro Profile Deadlock 55mm Radius	PVD/SSS	0.5" ARDE5005



CLASSIFICATION:

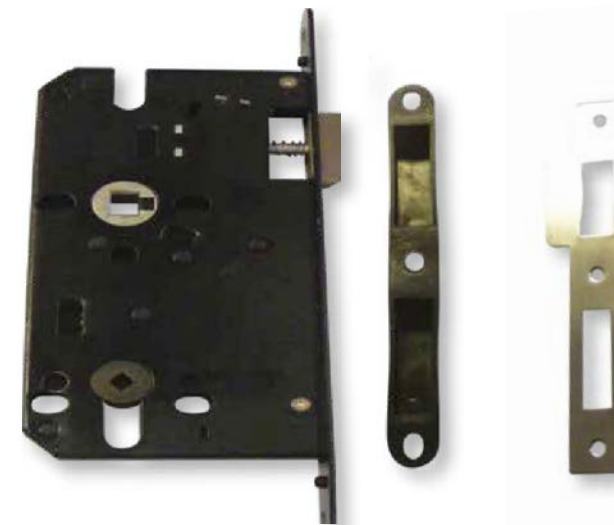
3	M	8	1	0	F	3	B	C	0	0
---	---	---	---	---	---	---	---	---	---	---

BS EN 12209

60mm Bath Lock Case (Interchangeable forends)



Code: BL1



FUNCTIONAL CRITERIA:

- Lever handle withdraws latch bolt.
- Latch bolt is reversible.
- Thumb turn throws single turn dead bolt 11mm.
- 60mm backset. 72mm centres. 5mm follower.
- Strike includes dust caps in white.
- Radius or square forend available.

CLASSIFICATION:

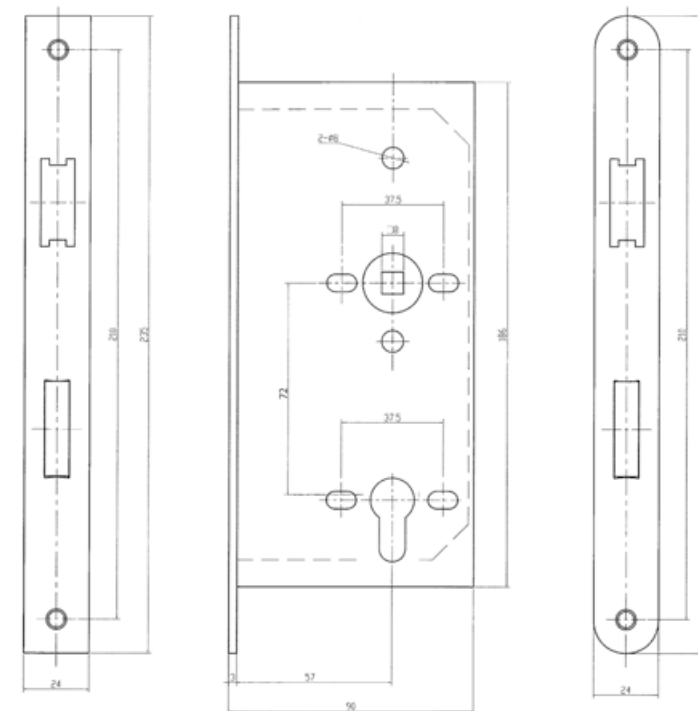
1121-CPD-AQ0017:2005

2	X	8	1	0	F	-	B	G	2	0
---	---	---	---	---	---	---	---	---	---	---

FIRE TESTED:

BS 1634-1 2000 & BS 476 Part 22. 60 minutes

DIMENSIONAL DRAWING:



DIMENSIONAL REQUIREMENTS:

Meets the dimensional requirements of BS 8300 DIN 18251

ADDITIONAL REQUIREMENTS:

13mm & 25mm rebates available. Intumescent pack available.

60mm Easi-T Din Bathroom Lock



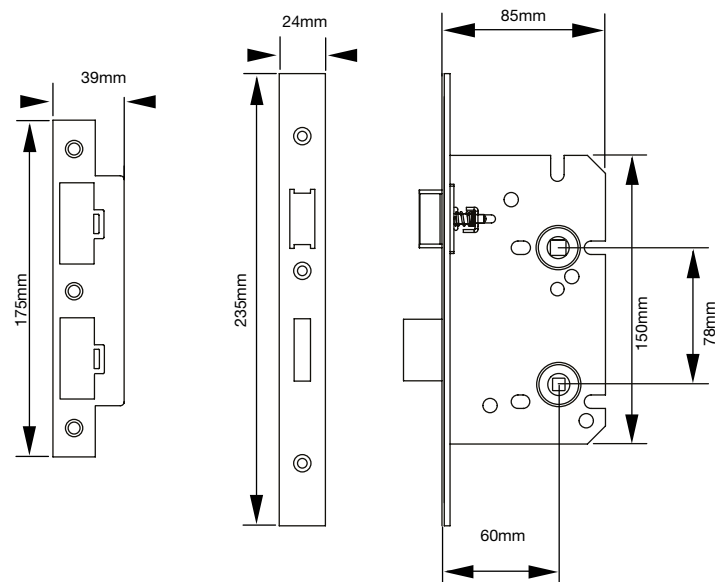
DIMENSIONAL DRAWING:

CODE	CLASS	DESCRIPTION	FINISH	REBATE
DLS7860WC	DIN Bathroom	Easi-T DIN Bathroom Latch 60mm Backset, 78mm c/c	SSS	0.5" ARDS5005 PVD/SSS
FSF5017/R	Accessory	Radius Forend, Strike and Fixing Pack	BSS/PVD/SSS	
FSF5017	Accessory	Radius Forend, Strike and Fixing Pack	BSS/PVD	

CLASSIFICATION:

3 M 8 1 0 F - B G 2 0

BS EN 12209



55mm Contract Easi-T Din Bathroom Lock



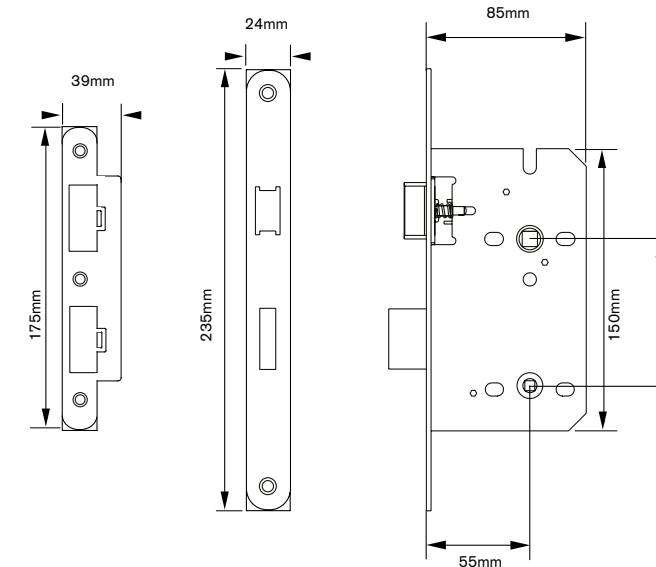
DIMENSIONAL DRAWING:

CODE	CLASS	DESCRIPTION	FINISH	REBATE
DLE7855WC	DIN Bathroom	Contract DIN Bathroom Lock 55mm	PVD/SSS	0.5" ARDS5005 PVD/SSS
DLE7855W-C/R	DIN Bathroom	Contract DIN Bathroom Lock 55mm Radius	PVD/SSS	

CLASSIFICATION:

3 M 8 1 0 F - B G 2 0

BS EN 12209



60mm Night Latch Case (Interchangeable forends)



Code: NL1



FUNCTIONAL CRITERIA:

1. Lever handle withdraws latch bolt.
2. Latch bolt is reversible.
3. Cylinder withdraws latch.
4. 60mm backset. 72mm centres.
5. Strike includes dust caps in black.
6. Radius or square forend available.

CLASSIFICATION:

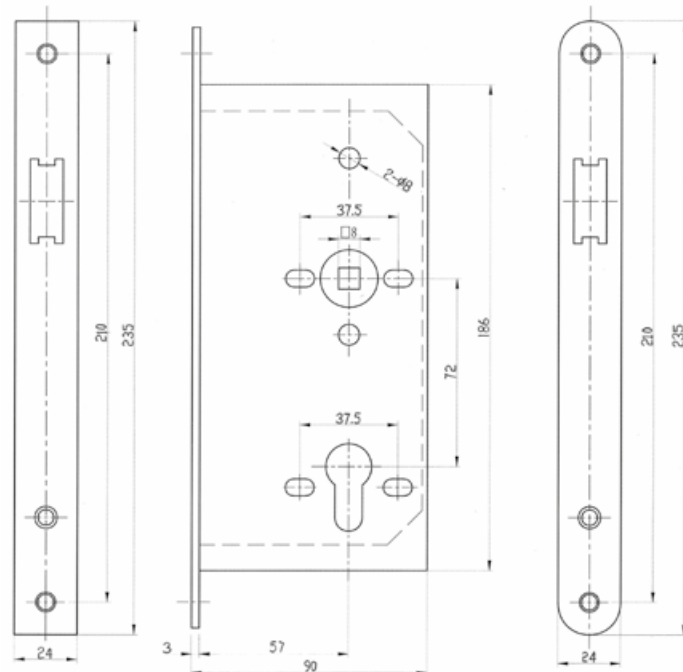
1121-CPD-AQ0017:2005

2 X 8 1 0 F - B 0 2 0

FIRE TESTED:

BS 1634-1 2000 & BS 476 Part 22. 60 minutes

DIMENSIONAL DRAWING:



DIMENSIONAL REQUIREMENTS:

Meets the dimensional requirements of BS 8300

DIN 18251

ADDITIONAL REQUIREMENTS:

13mm & 25mm rebates available.
Intumescent pack available.

60mm Easi-T Din Euro Profile Nightlatch



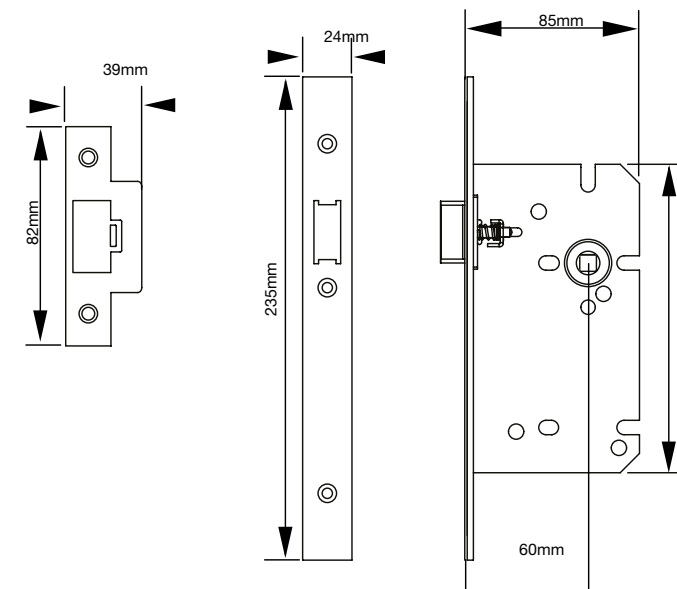
DIMENSIONAL DRAWING:

CODE	CLASS	DESCRIPTION	FINISH	REBATE
DLS7260NL	DIN Euro Night Latch	Easi-T Din Euro Profile Nightlatch 60mm Backset, 72mm c/c	SSS	0.5" ARDS5005 PVD/SSS
FSF5016/R	Accessory	Radius Forend, Strike and Fixing Pack	BSS/PVD/SSS	
FSF5016	Accessory	Radius Forend, Strike and Fixing Pack	BSS/PVD	

CLASSIFICATION:

3 M 8 1 0 F - B 0 2 0

BS EN 12209

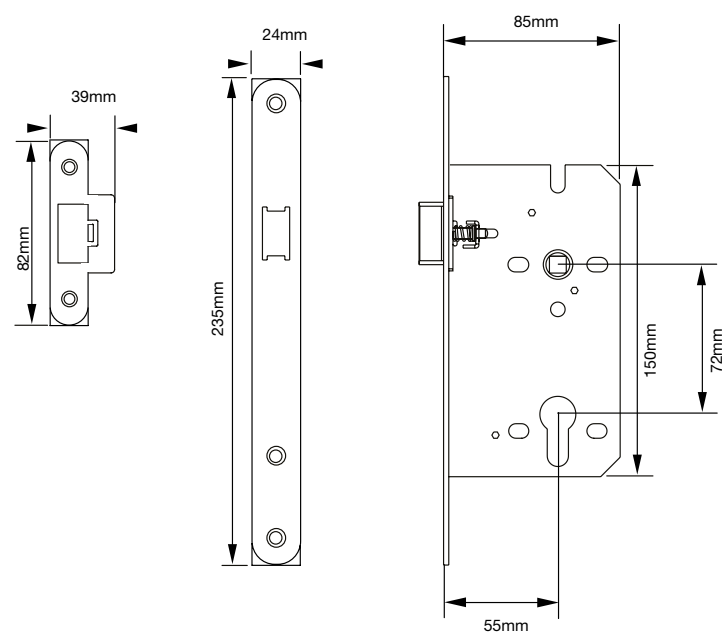


55mm Contract Din Euro Profile Nightlatch



DIMENSIONAL DRAWING:

CODE	CLASS	DESCRIPTION	FINISH	REBATE
DLE7255NL	DIN Euro Night Latch	Contract DIN Euro Profile Nightlatch 55mm	PVD/SSS	0.5" ARDE5005
DLE7255NL/R	DIN Euro Night Latch	Contract DIN Euro Profile Nightlatch 55mm Radius	PVD/SSS	



CLASSIFICATION:

3	M	8	1	0	F	-	B	0	2	0
---	---	---	---	---	---	---	---	---	---	---

BS EN 12209

60mm Night Latch c/w Anti Thrust Bolt



Code: NL1.AT



FUNCTIONAL CRITERIA:

1. Lever handle withdraws latch bolt.
2. Cylinder withdraws latch bolt.
3. Anti thrust bolt locks latch.
4. 60mm backset. 72mm centres.
5. Strike includes dust caps in white.
6. Radius or square forend available.

CLASSIFICATION:

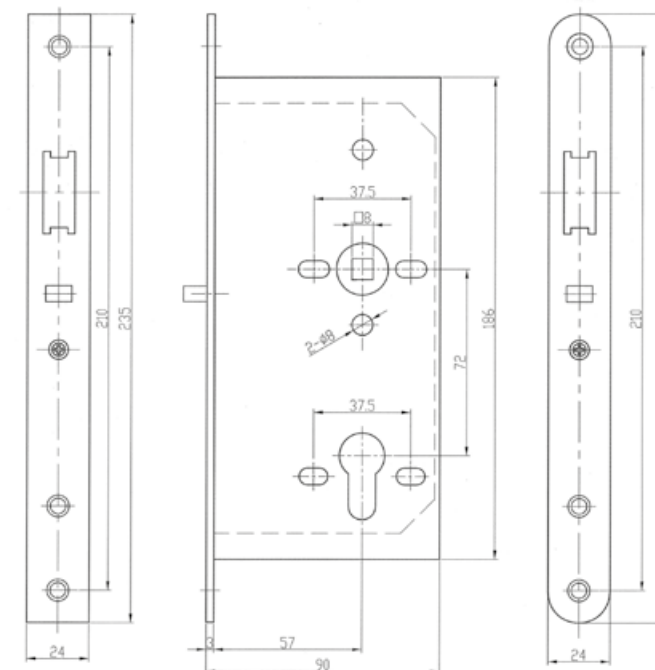
1121-CPD-AQ0017:2005

3	F	8	1	0	F	-	B	B	2	0
---	---	---	---	---	---	---	---	---	---	---

FIRE TESTED:

BS 1634-1 2000 & BS 476 Part 22. 60 minutes

DIMENSIONAL DRAWING:



DIMENSIONAL REQUIREMENTS:

Meets the dimensional requirements of BS 8300
DIN 18251

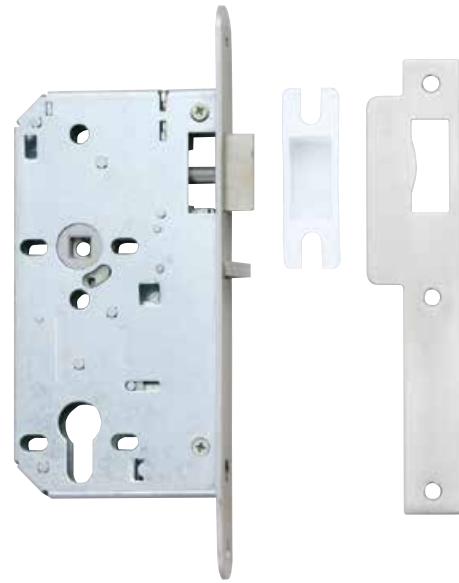
ADDITIONAL REQUIREMENTS:

13mm & 25mm rebates available.
Intumescent pack available.

60mm Spilt Follower Classroom Lock Case



Code: SFCL 1



FUNCTIONAL CRITERIA:

1. Lever handle withdraws latch bolt, one side fixed dead opposite side.
2. Latch bolt is reversible.
3. Spilt follower reversible.
4. Cylinder withdraws latch.
5. 60mm backset. 72mm centres.
6. Strike includes dust caps in white.
7. Radius or square forend available.

CLASSIFICATION CONFIRMED BY WARRINGTON APT:

1121-CPD-AQ0017:2005

2	W	8	1	0	F	-	B	A	2	0
---	---	---	---	---	---	---	---	---	---	---

FIRE TESTED BY WARRINGTON APT:

BS 1634-1 2000 & BS 476 Part 22. 60 minutes

DIMENSIONAL REQUIREMENTS:

Meets the dimennal requirements of BS 8300
DIN 18251

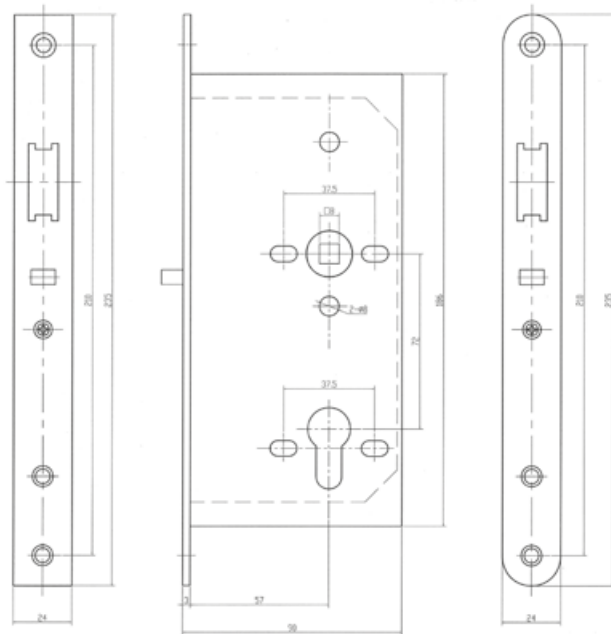
ADDITIONAL REQUIREMENTS:

Spilt follower spindle Ref: NS.SS.
13mm & 25mm rebates available.
Intumescent pack available.

NOTE:

BS EN 12209 : 2003 Building Hardware – Mechanically operated locks, latches and locking plates. A comprehensive classification system for assessing the wide range of products needed to satisfy the diverse requirements of the European market. Features assessed include normal use (and abuse) forces, long-term durability, fire/smoke resistance, corrosion and temperature resistance and security, both manipulative and physical.

DIMENSIONAL DRAWING:



60mm Escape Dead Lock Case



Code: EDL 1



FUNCTIONAL CRITERIA:

1. Lever handle withdraws dead bolt.
2. Cylinder double throws dead bolt to 22mm.
3. 60mm backset. 72mm centres.
4. Strike includes dust caps in white.
5. Radius or square forend available.

CLASSIFICATION CONFIRMED BY WARRINGTON APT:

1121-CPD-AQ0017:2005

3	6	6	1	1	3	4	2	A
---	---	---	---	---	---	---	---	---

BS EN 179:1998 & A1:2001

FIRE TESTED BY WARRINGTON APT:

BS 1634-1 2000 & BS 476 Part 22.

DIMENSIONAL REQUIREMENTS:

DIN 18251

Note: We do not recommend you use cylinder and turns with this lock case.

ADDITIONAL REQUIREMENTS:

Tested lever handle available.
AG-006.

13mm & 25mm rebates available.
Intumescent pack available.

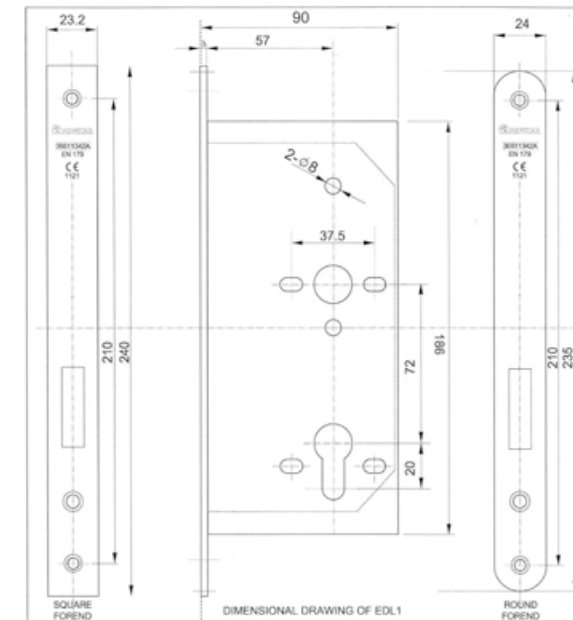
NOTE:

BE EN 179 – Emergency exit device.

This standard covers devices to be used in emergency situations where people are familiar with the emergency exit and its hardware and therefore a panic situation is most unlikely to develop.

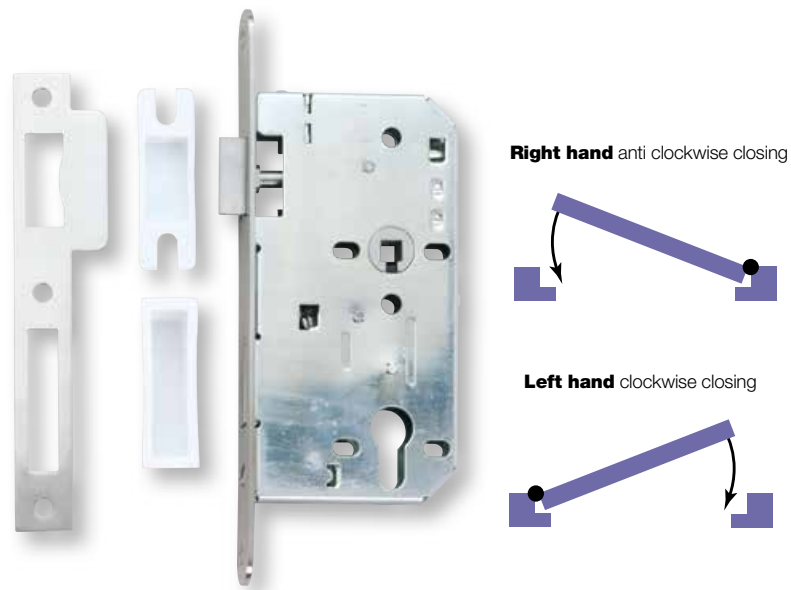
Lever handle operated escape mortice locks or push pads may therefore be used.

DIMENSIONAL DRAWING:



60mm Spilt Follower Escape Sash Lock

Code: ESL 1



FUNCTIONAL CRITERIA:

1. Lever handle withdraws and dead bolt.
2. Latch bolt is reversible for opening in or out.
3. Spilt follower function is handed.
4. Cylinder double throws dead bolt to 22mm.
5. Cylinder withdraws latch.
6. 60mm backset. 72mm centres.
7. Strike includes dust caps in white.
8. Radius or square forend available.

CLASSIFICATION CONFIRMED BY WARRINGTON APT:

1121-CPD-AQ0017:2005

3	7	6	1	1	3	4	2	A
---	---	---	---	---	---	---	---	---

BS EN 179:1998 & A1:2001

FIRE TESTED BY WARRINGTON APT:

BS 1634-1 2000 & BS 476 Part 22. 60 minutes

DIMENSIONAL REQUIREMENTS:

DIN 18251

ADDITIONAL REQUIREMENTS:

Spilt follower spindle Ref: NS.SS.
13mm & 22mm rebates available.
Intumescent pack available.

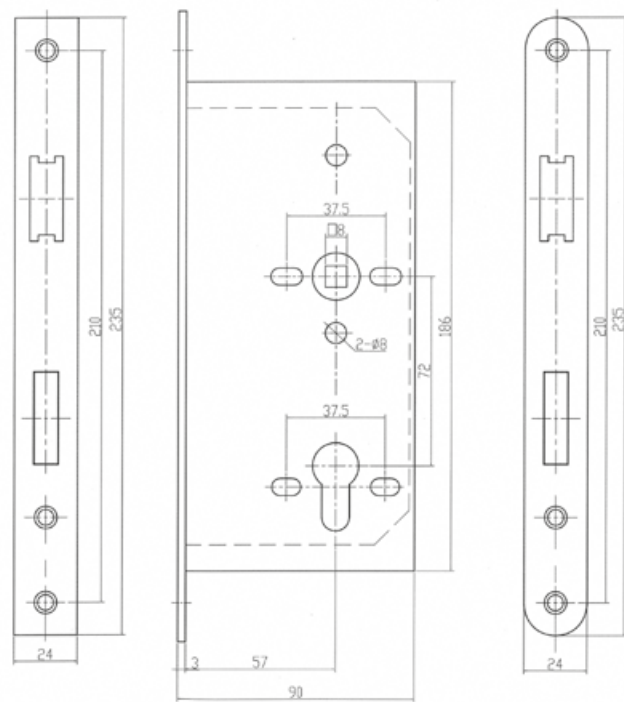
NOTE:

BS EN 179 – Emergency exit device.

This standard covers devices to be used in emergency situations where people are familiar with the emergency exit and its hardware and therefore a panic situation is most unlikely to develop.

Lever handle operated escape mortice locks or push pads may therefore be used.

DIMENSIONAL DRAWING:



Note: When using a cylinder and turn, if the cam is not fully turned then the lock may jam. We recommend a double cylinder is used with this lock.

Jigtech Pro

Code: JTP



JIGTECH PRO INSTALLATION KIT:

Everything you need to install the perfect door handle and latch. Every time.

- The Jig
- 44mm holesaw & arbor
- 25mm holesaw & arbor
- 32mm Spade Bit
- Keep Locator
- Latch Tapper

THE JIG

The Jig is the integral part of the Jigtech concept. Designed by industrial designers, working alongside a team of joiners to ensure every consideration is made for accuracy and time saving.

- Auto-centring clamp
- Adjustable for 44mm and 57mm latches
- Includes allen keys for handle fitting
- Rubber seal for compression on veneered doors



Patented Easi-T Latch Reversal System



1. Insert Easi-T Tool



2. Reverse Latch



3. Remove Easi-T Tool



- Patented Easi-T latch reversal system
- BS 3621 and BS 8621 approved
- Patented heavy duty spring mechanism for unsprung lever furniture
- Supplied with 3 keys
- Optional easy changeable light or extra heavy replacement spring
- 25 year mechanical guarantee
- Standard PVD or SSS finish forend and strike plates with optional BSS accessory packs
- BSS, PVD and SSS optional radius accessory packs
- Suitable for use on 1/2 hour and 1 hour fire doors to BS EN 1634-1:2000
- High security 20mm bolt throw
- Hardened steel anti-drill plates
- Hardened steel dead bolt
- Guided latch bolt for smooth operation

Latches

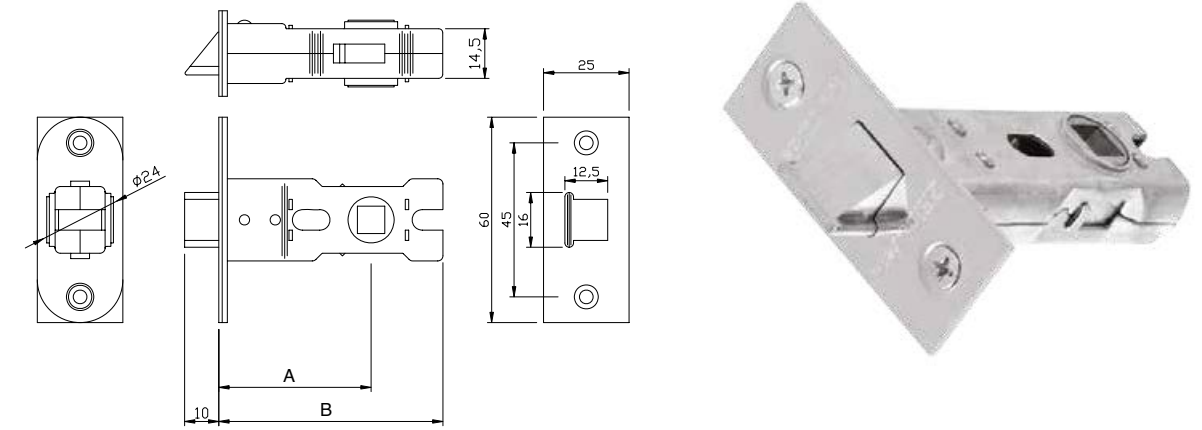


MORTICE LATCH



Code: G1 – Square forend & strike | G1R – Radius forend & strike

SIZE (mm)	65	75	90
B	65	75	90
A	45	55	65

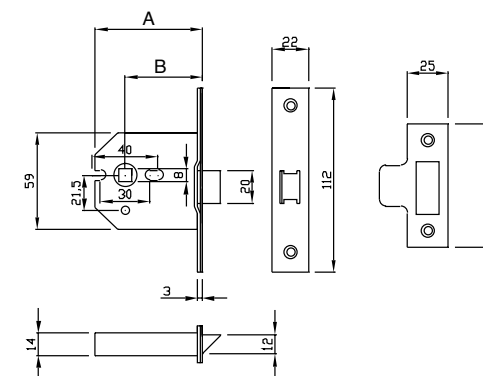


UPRIGHT LATCH



Code: G3 – Square forend | G3R – Radius forend

SIZE (mm)	65	75	100
A	65	75	100
B	47	57	67



Sash Locks

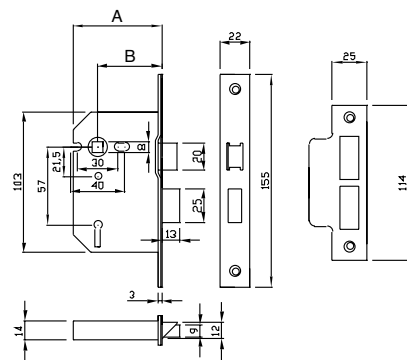


3 LEVER MORTICE SASHLOCK



Code: G5 – Square forend & strike | G5R – Radius forend & strike

SIZE (mm)	65	75
A	65	75
B	47	57

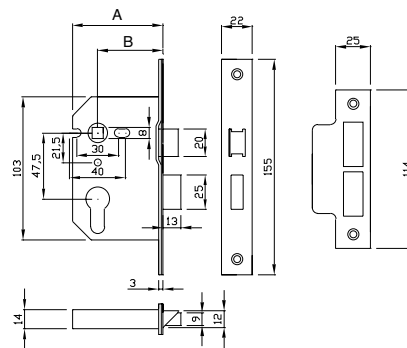


EURO PROFILE SASHLOCK CASE



Code: G8 – Square forend & strike | G8R – Radius forend & strike

SIZE (mm)	65	75
A	65	75
B	47	57

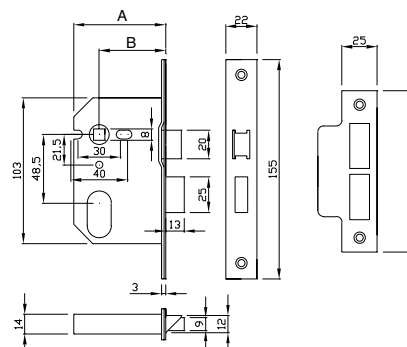


OVAL PROFILE SASHLOCK CASE



Code: G13 – Square forend & strike | G13R – Radius forend & strike

SIZE (mm)	65	75
A	65	75
B	47	57



Dead Locks

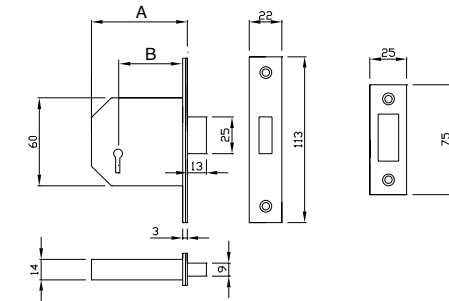


3 LEVER MORTICE DEADLOCK



Code: G11 – Square forend & strike | G11R – Radius forend & strike

SIZE (mm)	65	75
A	65	75
B	47	57

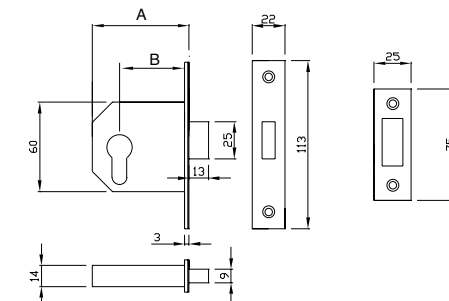


EURO PROFILE DEADLOCK CASE



Code: G12 – Square forend & strike | G12R – Radius forend & strike

SIZE (mm)	65	75
A	65	75
B	47	57

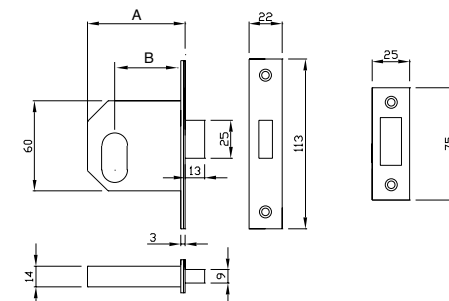


OVAL PROFILE DEADLOCK CASE



Code: G14 – Square forend & strike | G14R – Radius forend & strike

SIZE (mm)	65	75
A	65	75
B	47	57



Roller Catch, DIN Lock Rebates, & Bath Bolts/Locks

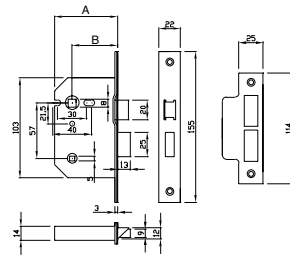


MORTICE BATHROOM LATCH

Code: G7 – Square forend & strike | G7R – Radius forend & strike



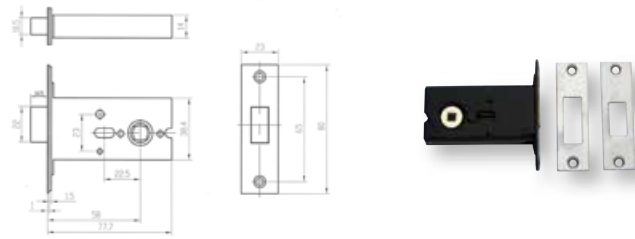
SIZE (mm)	65	75
A	65	75
B	47	57



BATHROOM DEADBOLT

Code: BDB

Square forend
Supplied with 5mm packer for both 5 and 8mm spindles



DIN LOCK REBATES

Code: RSL.13 Sash lock rebate
RDL.13 Dead lock rebate



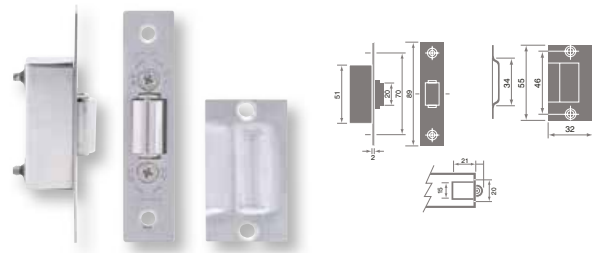
BS REBATES

Code: BSDR.13 – BSDR.25 | BSSR.13 – BSSR.25



ADJUSTABLE ROLLER CATCH

Code: RC1



REBATES GRID RANGE

Code: REB.L1-13 Tubular Latch
REB.L2.13 Upright Latch
REB.L3-5.13 Sash Locks
REB.L6-8.13 Dead Locks



Easi-T British Standard 5 Lever Sashlock



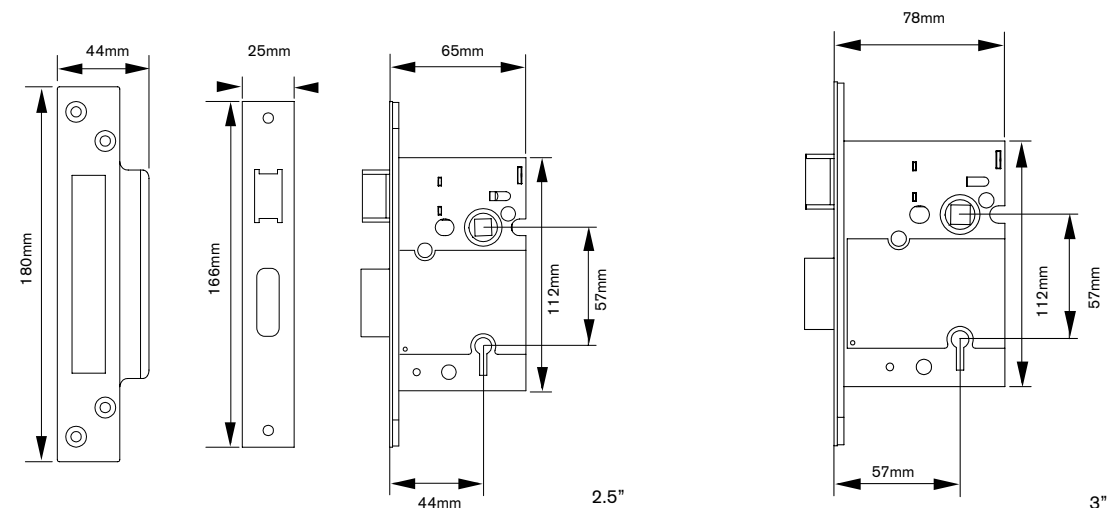
DIMENSIONAL DRAWING:

CODE	CLASS	DESCRIPTION	FINISH	REBATE
LSB5525	BS3621 Sash	Easi-T 5 Lever Sashlock BS 2.5"	PVD/SSS	0.5" ARB5105 PVD/SSS 1" ARB5110 PVD/SSS
LSB5530	BS3621 Sash	Easi-T 5 Lever Sashlock BS 3"	PVD/SSS	0.5" ARB5105 PVD/SSS 1" ARB5110 PVD/SSS
FSF5013	Accessory	Forend, Strike and Fixing Pack	BSS/PVD/SSS	
FSF5013/R	Accessory	Radius Forend, Strike and Fixing Pack	BSS/PVD/SSS	

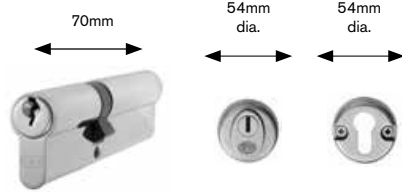
CLASSIFICATION:

2	H	8	1	0	F	7	K	D	2	B
---	---	---	---	---	---	---	---	---	---	---

BS EN 12209



Easi-T British Standard Euro Profile Cylinder Sashlock



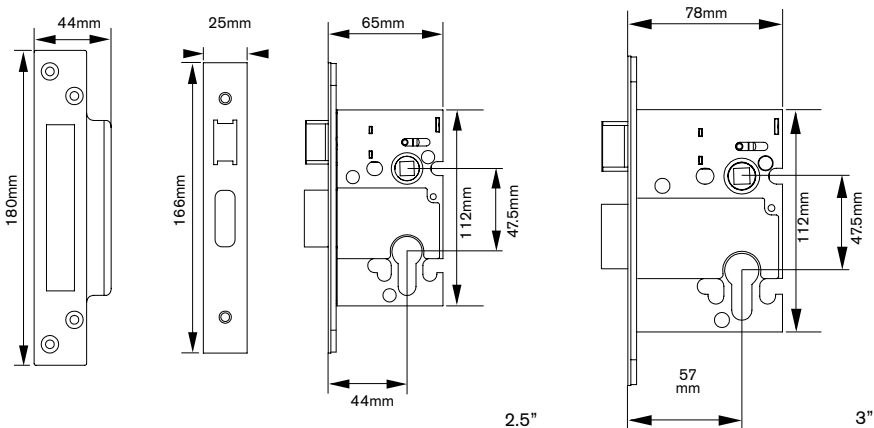
CLASSIFICATION: BS EN 1303
w 6 0 1 0 C 6 2

DIMENSIONAL DRAWING:

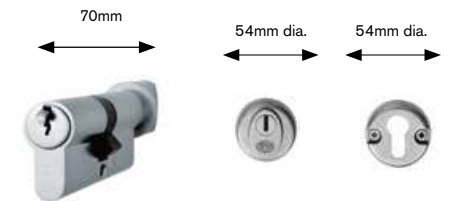
CODE	CLASS	DESCRIPTION	FINISH	REBATE
ESB5025	BS3621 Euro Sash	Easi-T Euro Profile BS3621 Cylinder Sashlock 2.5" (Complete with 70mm Double Cylinder and Security Escutcheon)	PVD/SSS	0.5" ARB5305 PVD/SSS
ESB5030	BS3621 Euro Sash	Easi-T Euro Profile BS3621 Cylinder Sashlock 3" (Complete with 70mm Double Cylinder and Security Escutcheon)	PVD/SSS	0.5" ARB5305 PVD/SSS
FSF5020	Accessory	Forend, Strike and Fixing Pack	BSS/PVD/SSS	
FSF5020/R	Accessory	Radius Forend, Strike and Fixing Pack	BSS/PVD/SSS	

CLASSIFICATION:

2 H 8 1 0 F 7 B A 2 0
BS EN 12209



Easi-T British Standard Euro Profile Cylinder & Turn Sashlock



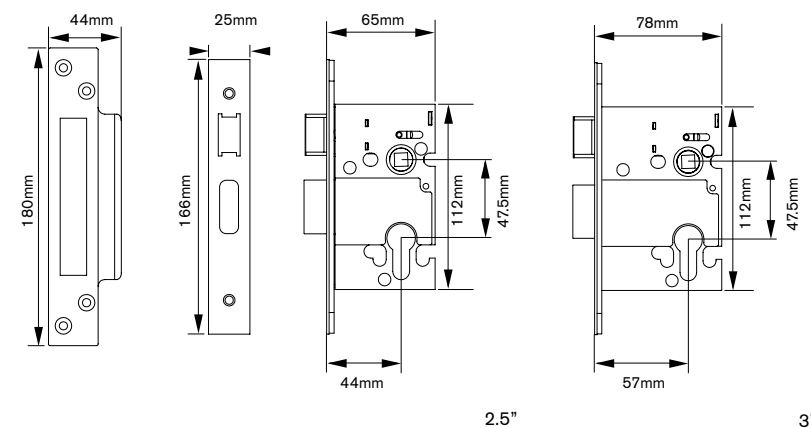
CLASSIFICATION: BS EN 1303
1 6 0 1 0 C 6 2

DIMENSIONAL DRAWING:

CODE	CLASS	DESCRIPTION	FINISH	REBATE
ESB5025/CT	BS8621 Euro Sash	Easi-T Euro Profile BS8621 Cylinder and Turn Sashlock 2.5" (Complete with 70mm Cylinder and Turn and Security Escutcheons)	PVD/SSS	0.5" ARB5305 PVD/SSS
LSB55 ESB5030/CT	BS8621 Euro Sash	Easi-T Euro Profile BS8621 Cylinder and Turn Sashlock 3" (Complete with 70mm Cylinder and Turn and Security Escutcheons)	PVD/SSS	0.5" ARB5305 PVD/SSS
FSF5030	Accessory	Forend, Strike and Fixing Pack	BSS	
FSF5030/R	Accessory	Radius Forend, Strike and Fixing Pack	BSS/PVD/SSS	

CLASSIFICATION:

2 H 8 1 0 F 7 B A 2 0
BS EN 12209



Easi-T British Standard 5 Lever Deadlock

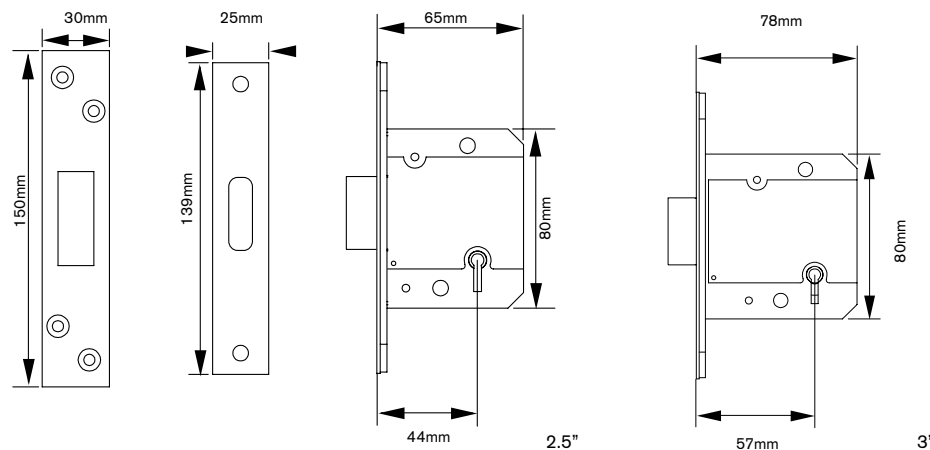


DIMENSIONAL DRAWING:

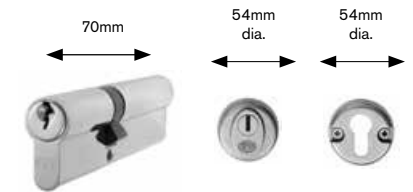
CODE	CLASS	DESCRIPTION	FINISH	REBATE
LDB5525	BS3621 Dead	Easi-T 5 Lever Deadlock BS 2.5"	PVD/SSS	0.5" ARB5205 PVD/SSS 1" ARB5210 PVD/SSS
LDB5530	BS3621 Dead	Easi-T 5 Lever Deadlock BS 3"	PVD/SSS	0.5" ARB5205 PVD/SSS 1" ARB5210 PVD/SSS
FSF5012	Accessory	Forend, Strike and Fixing Pack	BSS/PVD/SSS	
FSF5012/R	Accessory	Radius Forend, Strike and Fixing Pack	BSS/PVD/SSS	

CLASSIFICATION:

2 H 8 1 0 F 7 K D O B
BS EN 12209



Easi-T British Standard Euro Profile Cylinder Deadlock



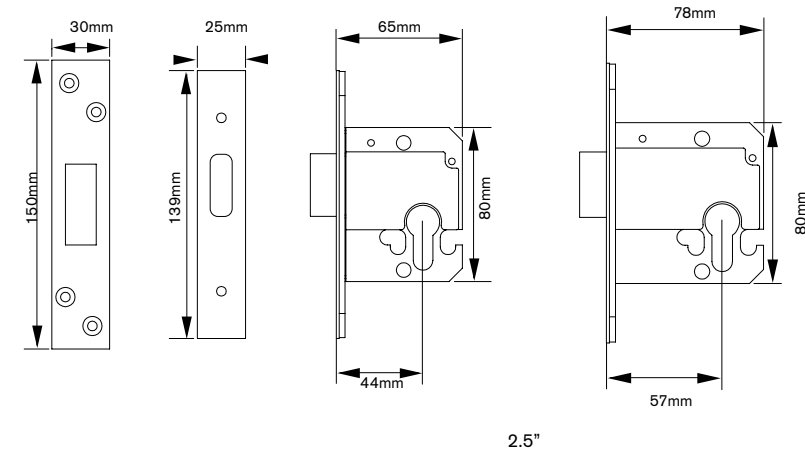
CLASSIFICATION: BS EN 1303
1 6 0 1 0 C 6 2

DIMENSIONAL DRAWING:

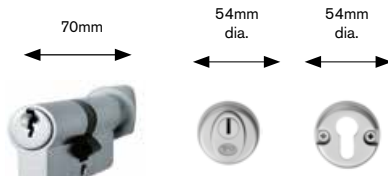
CODE	CLASS	DESCRIPTION	FINISH	REBATE
EDB5025	BS3621 Euro Dead	Easi-T Euro Profile BS3621 Cylinder Deadlock 2.5" (Complete with 70mm Double Cylinder and Security Escutcheon)	PVD/SSS	0.5" ARB5405 PVD/SSS
EDB5030	BS3621 Euro Dead	Easi-T Euro Profile BS3621 Cylinder Deadlock 3" (Complete with 70mm Double Cylinder and Security Escutcheon)	PVD/SSS	0.5" ARB5405 PVD/SSS
FSF5019	Accessory	Forend, Strike and Fixing Pack	BSS/PVD/SSS	
FSF5019/R	Accessory	Radius Forend, Strike and Fixing Pack	BSS/PVD/SSS	

CLASSIFICATION:

2 H 8 1 0 F 7 B A 0 0
BS EN 12209



Easi-T British Standard Euro Profile Cylinder & Turn Deadlock



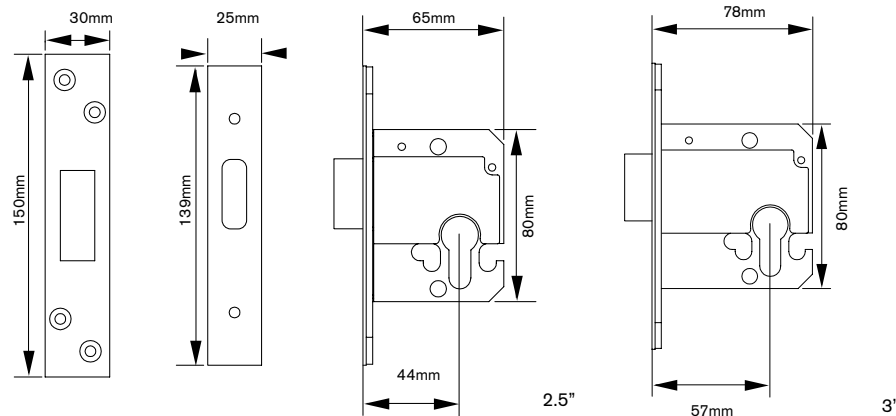
CLASSIFICATION: BS EN 1303
1 6 0 1 0 C 6 2

DIMENSIONAL DRAWING:

CODE	CLASS	DESCRIPTION	FINISH	REBATE
EDB5025/CT	BS8621	Easi-T Euro Profile BS3621 Cylinder and Turn Deadlock 2.5" (Complete with 70mm Cylinder and Turn and Security Escutcheon)	PVD/SSS	0.5" ARB5405 PVD/SSS
EDB5030/CT	BS8621	Easi-T Euro Profile BS3621 Cylinder and Turn Deadlock 3" (Complete with 70mm Cylinder and Turn and Security Escutcheon)	PVD/SSS	0.5" ARB5405 PVD/SSS
FSF5029	Accessory	Forend, Strike and Fixing Pack	BSS	
FSF5029/R	Accessory	Radius Forend, Strike and Fixing Pack	BSS/PVD/SSS	

CLASSIFICATION:

2 H 8 1 0 F 7 B A 0 0
BS EN 12209



Roller Bolt Night Latch Case Only



Code: LRB1

c/w Cylinder REF: RB1



FUNCTIONAL CRITERIA:

1. Thumb turn handle withdraws and throws roller bolt.
2. Cylinder withdraws and throws roller bolt.
3. Roller bolt holds door in position when unlocked.
4. Meets the recommendations of BS 5588.

CLASSIFICATION CONFIRMED BY WARRINGTON APT:

1121-CPD-AQ0017:2005

3 C 8 1 0 F 2 R A 0 0

FIRE TESTED BY WARRINGTON APT:

BS 1634-1 2000 30 minutes

DIMENSIONAL REQUIREMENTS:

Suitable for doors from 25mm to 60mm
Backset 60mm

NOTE:

BS EN 12209 : 2003 Building Hardware – Mechanically operated locks, latches and locking plates. A comprehensive classification system for assessing the wide range of products needed to satisfy the diverse requirements of the European market. Features assessed include normal use (and abuse) forces, long-term durability, fire/smoke resistance, corrosion and temperature resistance and security, both manipulative and physical.

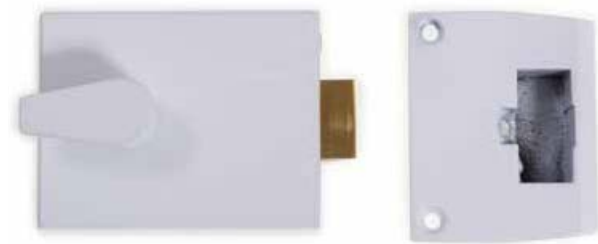
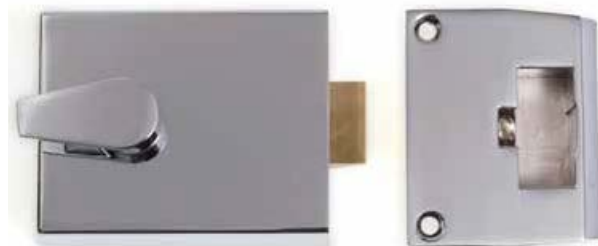
Dead Bolt Night Latch



DEAD BOLT NIGHT LATCH CASE ONLY

Code: **LDL1**

c/w Cylinder **REF: DL1**



FUNCTIONAL CRITERIA

1. Thumb turn handle withdraws and throws roller bolt.
2. Cylinder withdraws and throws roller bolt.

FIRE TESTED BY WARRINGTON APT

BS 1634-1 2000 30 minutes

DIMENSIONAL REQUIREMENTS

Suitable for doors from 35mm to 60mm
Backset 60mm

RIM CYLINDER

Code: **RC1**

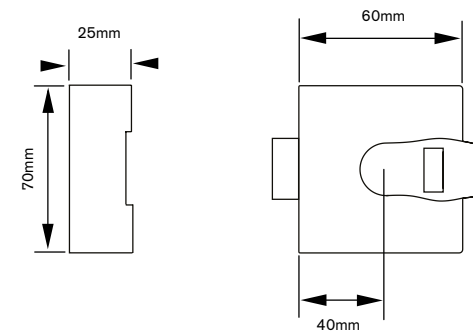
All c/w 3 keys.



Contract Rim Cylinder Nightlatch



NARROW CASE

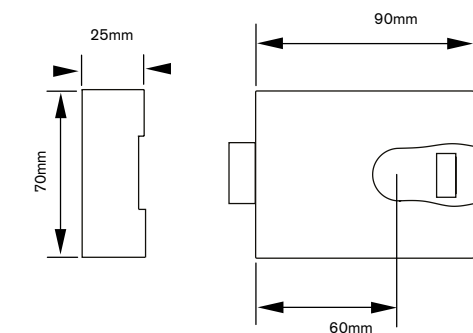


* Reversible latch to suit outward opening doors

DATA & FEATURES:

CODE	CLASS	DESCRIPTION	FINISH
RCN8240	Night Latch	Contract Rim Cylinder nightlatch 40mm c/w Cylinder and 3 keys	PB/PC/SV/WPB
RCN8240L	Night Latch	Contract Rim Cylinder nightlatch 40mm Lock Case Only	PB/PC/SV/WPB
AOS5000	Striker Plate	Outward Opening Striker Plate for Rim Cylinder Nightlatch	PB/PC/SV/WPB

STANDARD CASE



* Reversible latch to suit outward opening doors
* Image shows latch reversed

DATA & FEATURES:

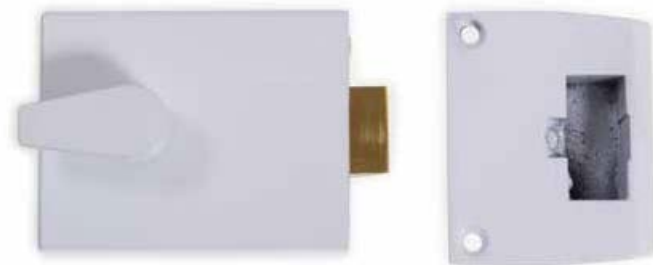
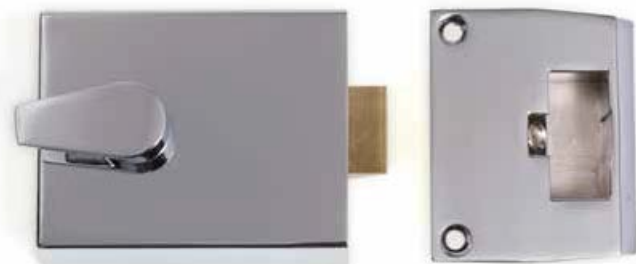
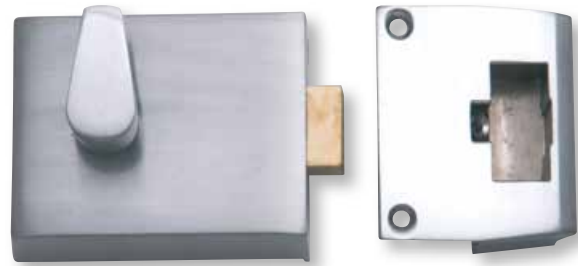
CODE	CLASS	DESCRIPTION	FINISH
RCN8260	Night Latch	Contract Rim Cylinder nightlatch 60mm c/w Cylinder and 3 keys	PB/PC/SV/WPB
RCN8260L	Night Latch	Contract Rim Cylinder nightlatch 60mm Lock Case Only	PB/PC/SV/WPB
AOS5000	Striker Plate	Outward Opening Striker Plate for Rim Cylinder Nightlatch	PB/PC/SV/WPB

Standard Night Latch Case Only



Code: LNL1

c/w Cylinder REF: NL1



FUNCTIONAL CRITERIA:

1. Thumb turn handle withdraws and throws latch bolt.
2. Cylinder withdraws and throws latch bolt.

FIRE TESTED BY WARRINGTON APT:

BS 1634-1 2000 30 minutes

DIMENSIONAL REQUIREMENTS:

Suitable for doors from 35mm to 60mm
Backset 60mm

NOTES:

Latch is not reversible

RIM Locks & Espagnolettes

RIM LOCK



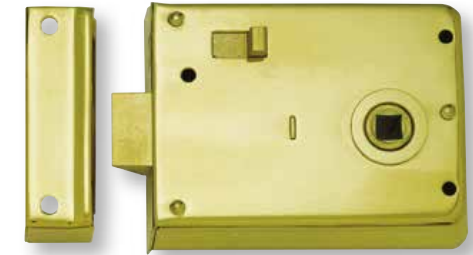
Code: NS.RL1



RIM LATCH



Code: NS.RL2



RIM LOCKSET



Code: NS.K7L – Latch,
NS.K7D – Deadlock

152 x 103 x 19mm

Lock, latch or deadlock. Supplied with 1550 knob.

Oval escutcheon and Wilkes spindle. Lock body.



MORTICE LOCK



Code: NS.K8

3 or 5 Lever

Front plate 178 x 32mm



RIM LOCK



Code: NS.K9, NS.K9WK

Available with or without knob
Lock body 158 x 115mm



ESPAGNOLETTE
BOLT



Code: NSEB1

* Reversible latch to suit outward opening doors

* Image shows latch reversed



LOCKING
ESPAGNOLETTE BOLT



Code: NSEB2

* Reversible latch to suit outward opening doors

* Image shows latch reversed



LOCKING
ESPAGNOLETTE BOLT



Code: NS.K10

2.4m – 8ft
(also available in 3.05m – 10ft as a special product)



Standard Panic Bolts

PANIC LATCH
Code: NS.Panic 1

760mm



PANIC BOLT
Code: NS.Panic 2

760mm



REBATED DOUBLE PANIC BOLT
Code: NS.Panic 3

760mm



Code: NS.Panic 4

Pushpad latch 125mm x 90mm



Code: NS.Panic 5

External locking attachment
c/w cylinder 125mm x 90mm



BENEFITS AT A GLANCE

- Exceptional quality and value
- Outstanding safety and security
- Meets legislative requirements
- Easy to operate
- Flexible in application and use
- Stylish yet durable
- Simple fixing
- 10 year guarantee
- Supplied as complete kit of parts
- Easi-Close latch
- Easi-reverse latch

Touchbar Panic Bolts

PANIC LATCH
Code: NS.Panic 6

760mm



PANIC BOLT
Code: NS.Panic 7

760mm



REBATED DOUBLE PANIC BOLT
Code: NS.Panic 8

760mm



BENEFITS AT A GLANCE

- Type B Touchbar and Pullmans BS1125:1997
- Projection Grade 2 – Low Profile
- Successfully fire tested to BS1634:2000, Fire Rated 30/60 minutes
- Combines safety and optimum security
- 2/3 point vertical panic bolt
- Aesthetic silver/satin stainless steel finish
- Grade 1 safety, Grade 3 high frequency of use
- Maximum durability, maximum frequency
- Photo-luminescent pinstripe
- Touchbar comes complete with double door strike and single door strike included as standard
- Easi-Close latch

Complete Bolt & Tube



Code: MARKE1

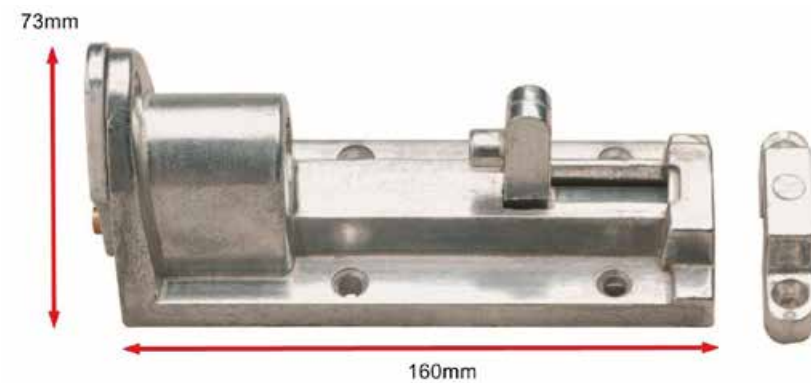


TUBE ONLY

Code: MARKETUBE



DIMENSIONS



Heavy Duty Door Strikes Made To Order



Code: ISR.S.300



APPLICATION:

- Heavy duty replacement manufactured in 2mm thick non-corrosive stainless steel to replace a standard sash lock strike
- Universal design suits left and right handed locks; available in square or round end
- Available in satin or polished stainless steel finish, brass or BMA on stainless steel
- Made to fit the full width of the door to enable maximum strength of fixings
- As standard sized at 300x44x2mm; available to order sized to cover existing damage
- Incorporates a box keep to increase durability of the strike and resist damage
- Available to suit double swing pivoting doors to order

Heavy Duty Roller Bolt Door Strikes Made To Order



Code: ISR.R.300



APPLICATION:

- Heavy duty replacement manufactured in 2mm thick non-corrosive stainless steel to replace a standard sash lock strike
- Designed to suit left and right handed locks; available in square or round end
- Available in satin or polished stainless steel finish, brass or BMA on stainless steel
- Made to fit the full width of the door to enable maximum strength of fixings
- As standard sized at 300x44x2mm; available to order sized to cover existing damage
- Incorporates a box keep to increase durability of the strike and resist damage
- Available to suit double swing pivoting doors to order

Heavy Duty Rim Electric Strike



Code: ISR.ES



APPLICATION:

- Manufactured in stainless steel and brass for durability
- Available as fail-safe or fail-locked options

LONDON FIRE BRIGADE LOCKS AND KEYS



CONTENTS:

MORTICE	168
RIM	168-169
PADLOCKS	170
KEYS	171

“ Please note, our London Fire Brigade locks are fitted with multiple levers, equivalent to the market expectations. NOT the one lever equivalent. ”

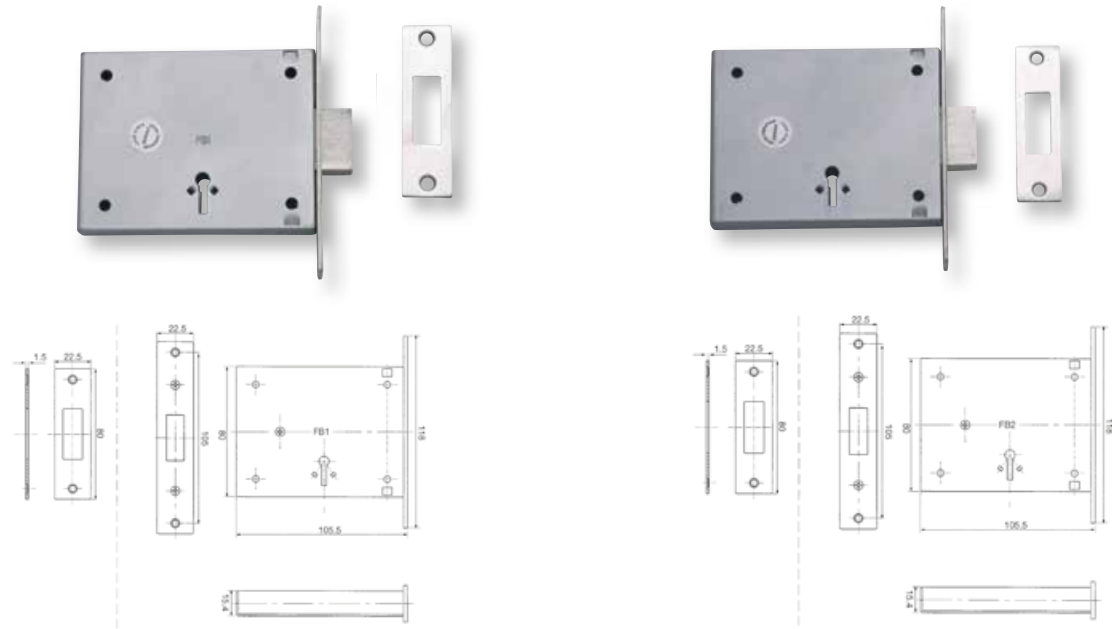
London Fire Brigade Locks



MORTICE DEADLOCK
Code: FB1.M | FB1.KEY



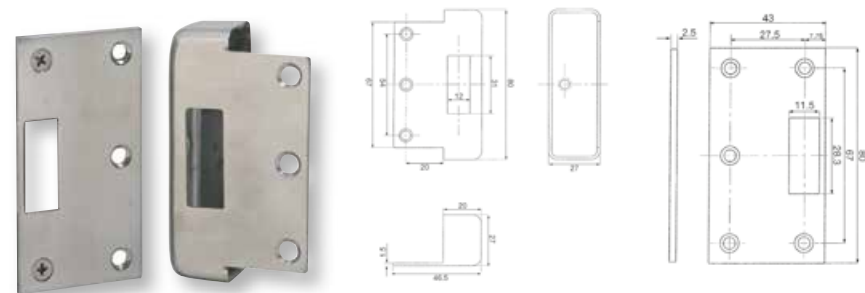
MORTICE DEADLOCK
Code: FB2.M | FB2.KEY



MORTICE CONVERSION KIT TO RIM TYPE



Code: FBR.SSS



Patent Pending

RIM DEADLOCK
Code: FB1.R



RIM DEADLOCK
Code: FB2.R



No need to double your stock, hold the Rim Conversion Kit separately, those are also reversible

Fire tested by Warrington apt BS 1634-1 2000

London Fire Brigade Locks



REVERSIBLE RIM SLAM LOCK
Code: FB4 | FB4.KEY



FRAME STRIKE



Code: LL1



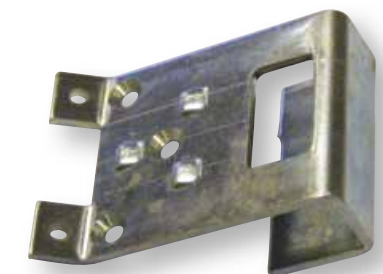
ESCUTCHEON



Code: FB.ESC
52mm X 4mm



Code: FB4.STRIKE



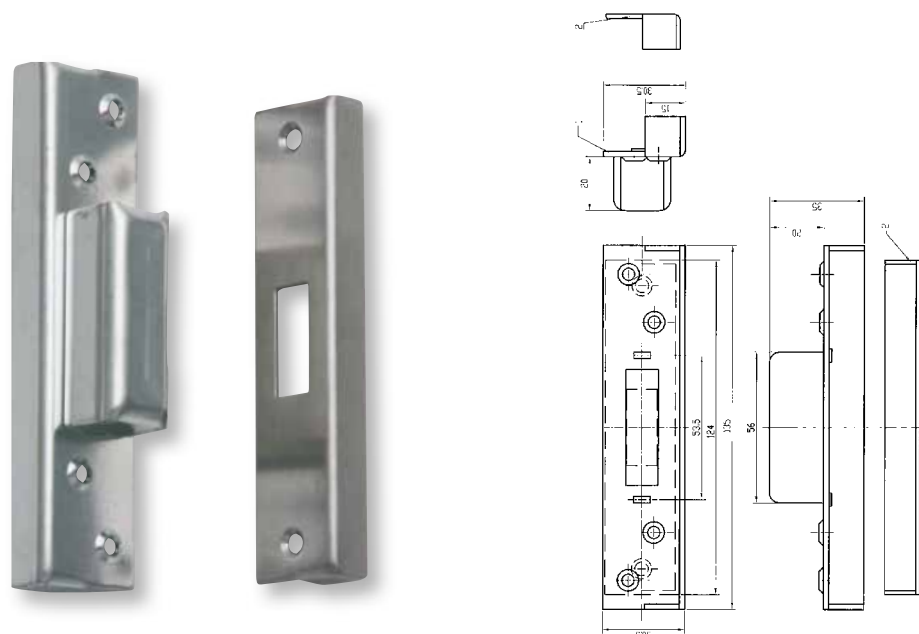
London Fire Brigade Locks



REBATES



Code: FB.REBATE.13



LONDON FIRE BRIGADE PADLOCK

Code: LFB: Padlock | LFB.KEY: Keys



LONDON FIRE BRIGADE PADLOCK

Code: LFB14: Padlock | LFB14.KEY: Keys



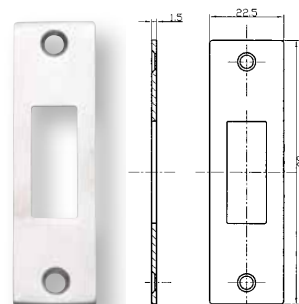
LONDON FIRE BRIGADE PADLOCK

Code: LFB11: Padlock | LFB.KEY11: Keys



MORTICE STRIKE FB LOCKS

Code: FB.Strike



LONDON FIREBRIGADE PADLOCK C/W CHAIN

Code: LFB.CHAIN



London Fire Brigade Keys

STANDARD AND EXTENDED KEYS

KEY

Code: FB1.KEY.150MM | FB1.KEY



Code: LFB Key

KEY

Code: FB2.KEY.150MM | FB2.KEY



Code: LFB11 Key

KEY

Code: FB4.KEY.150MM | FB4.KEY



Code: LFB14 Key



FB KEY SET

Code: FB.KS

- 1 X FB1.KEY
- 1 X FB2.KEY
- 1 X FB4.KEY
- 1 X LFB.KEY
- 1 X LFB11.KEY
- 1 X LFB14.KEY



DISABLED LOCKSETS



CONTENTS:

NATIONAL KEY SCHEME	
Locks – 5 lever	174-179
Padlocks	180
Keys	180
TOILET SETS (NO KEYS)	181

The National Key Scheme



Opening doors to independent living – the NKS (National Key Scheme) Key, operates over 9,000 locked accessible toilets across the UK. National Key Scheme approved keys are available to people who require use of the toilet facilities due to their disability or health condition.

The objective of the NKS Locks is to ensure that public toilets are available to the disabled free from misuse and vandalism, to ensure a certain level of hygiene is maintained. The National Key Scheme offers disabled people independent access to locked public toilets around the country. Toilets fitted with National Key Scheme locks can now be found in shopping centers, pubs, cafés, department stores, bus and train stations and many other locations in most parts of the country.

The scheme offers the opportunity to extend these standards to disabled toilets within public buildings, offices etc. It is hoped that the flexibility of design now offered by the NEWSTAR range will encourage architects and facility management companies to extend its range of use ensuring keyed access only to disabled toilets providing designed benefits to architects and improvements in both security and hygiene to facility maintenance companies.

BS 8300:2001 states “Some disabled people need to use a toilet more frequently than other users, making it desirable that accessible toilets are not made generally available to the public. Whether disabled people have exclusive use of an accessible toilet or are given priority use is a facilities management issue”.

The National Key Scheme guide is a written guide to the 9,000 NKS toilets and local services throughout the UK. Providers of toilets for disabled people fit NKS locks to keep their facilities in good condition. Over 25 years the Scheme has been adopted by 400+ local authorities and many transport, retail and leisure providers. This valuable resource is the only guide of its kind and really does open doors to independent living. Also available is a smartphone App allowing you to Instantly locate your nearest toilet facility and get directions by road, bus or foot.

“ Please note, our lockcase has five levers fitted to ensure external security. Question your source if different ”



BS EN 1634-1:2014
BS EN 1633-1:2012

The National Key Scheme



Code: BARYCOMPLETE.RH.SSS | BARYCOMPLETE.LH.SSS

Why are the Newstar NKS Locks Handed?

These locks are often fitted where they are likely to be the subject of a considerable amount of abuse. When pressure is applied to non-handed locksets, forces are applied to the lock mechanism rendering it inoperable. The outcome is often that a disabled user is retained in the toilet.

Handed locksets provide a mechanism that protects the lock from such forces to ensure continuing correct functionality of the toilet lock mechanism.

Interchangeable

The NEWSTAR NKS Lock can be operated with all current NKS keys on the market. In addition you can retro fit a NEWSTAR NKS lock into any existing mortises without further adjustment.

The new enhanced NKS lock is now made as standard in Satin Stainless Steel (Grade 316) which is suitable for external use in excessive climatic conditions. The lever handle is a return to door safety type and complies with current DDA regulations. Externally a red and white indicator identifies the toilets current status, there is a built in coin emergency release plus anti-vandal external bolt fixings. All locks come with one standard key to be used for fitting.

INTERCHANGEABLE:

The NEWSTAR NKS lock can be operated with all current NKS keys on the market. In addition you can retro fit a NEWSTAR NKS lock into any existing mortises without further adjustment.

FUNCTIONALITY:

The lock is operated from the inside via the standard lever operation that retracts the latch. The lever when in the horizontal position can be lifted up to ensure that the latch bolt is locked. When lifted the red indicator shows on the outside, the key will not operate the lock, although emergency access is available via the built in coin emergency release. External access is via key only when white indicator is showing, coin emergency release when indicator is red. Once the door is closed again, it will automatically lock.

HANDING:

The lever furniture is handed but the lock is reversible.

External to operate



Key access
Coin release

Internal Standard



Horizontal

Internal to lock



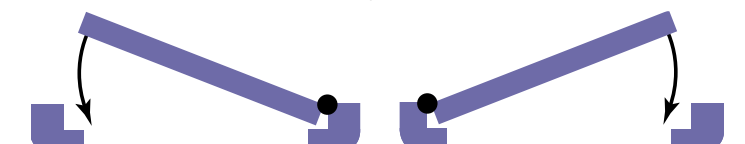
Lever travel 45°

Internal to operate



Lever travel 20°

When standing inside toilet



Right hand door hinged on right

Left hand door hinged on left

Light Reflective Value NKS Lockset (Stocked Product)



Code: BARYCOMPLETE.RH.WHT | BARYCOMPLETE.LF.WHT

99 Pure White
RAL 100 90 05
RAL 9010 S 0502-G50Y



Code: BARYCOMPLETE.RH.DB | BARYCOMPLETE.LH.DB

53 Ultramarine Blue
RAL 5002 S 4550-R80B



Please note we do not recommend for external use

Light Reflective Value NKS Lockset



RAL NUMBERS:

- | | | | |
|---|--|---|---|
|  | Buttercup Yellow
RAL 085 80 80
RAL 1023 s1070-y10r |  | 80 Coffee Brown
RAL 060 20 05
RAL 8022 S 8502-R |
|  | 76 Lime Green
RAL 1408040 -S0550-G10Y |  | Jet Black
RAL 9005 S 9000-N |
|  | 53 Ultramarine Blue
RAL 5002 S 4550-R80B |  | 70 Forest Green
RAL 180 20 15
RAL 6012 S 8010-B70G |
|  | 56 Lilac Blue
RAL 260 60 25-s2040-r80b |  | 30 Burgundy
RAL 020 20 20
RAL 3007 S 7020-R108 |
|  | 92 Anthracite Grey
RAL 240 30 05
RAL 7016 S 8005-R80B |  | 16 Blossom Yellow
RAL 0959040-S0530Y50R |
|  | 59 Ice Blue
RAL 2309005- S0510-R90B |  | 33 Ruby Red
RAL 030 30 45
RAL 3003 S 3560-R |
|  | Stone Grey
RAL 140 60 05-S3502-G |  | Vanilla
RAL 1009010-S0510-G80Y |
|  | 50 Steel Blue
RAL 260 20 15
RAL 5011 S 7020-R80B |  | 99 Pure White
RAL 100 90 05
RAL 9010 S 0502-G50Y |
|  | 79 Pistachio Green
RAL 130 90 10 -S0520-G30Y | | |
|  | Light Grey
RAL 000 80 00
RAL 7035 S 2000-N | | |

Other colours available. Quote your RAL number. Set up charge applicable.

RAL number. Set up charge applicable

Colour differentiation has become focal to help meet the duties of the Disability Discrimination Act (DDA), guidance in Approved Document Part M recommends that adjacent critical surfaces (i.e. ceiling/wall/door and floor) have a visual contrast of 30 LRV difference. LRV (Light Reflective Value) is defined as the amount of light reflected by that colour, measured on a scale of 0-100.

NEWSTAR offer the opportunity to colour coat the NKS lever set to meet the requirements of Light Reflective Values required by the visual contrast demands of BS8300 noting the difference between door furniture and the face of the door. The current BS8300 and Approved Document M (the section of the UK building regulations which sets down minimum standards for disabled access in the built environment) require a contrast of greater than 30 points between these two elements. When following this method of supply two additional matching instruction signs are provided with instructions as supplied on the standard lockset. All functionality, interchangeability and handing remain the same as the standard NKS lockset.

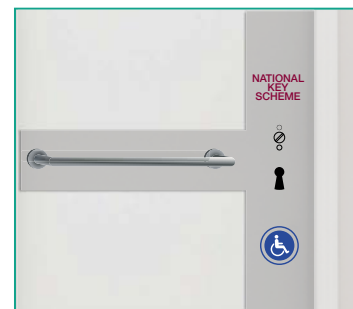
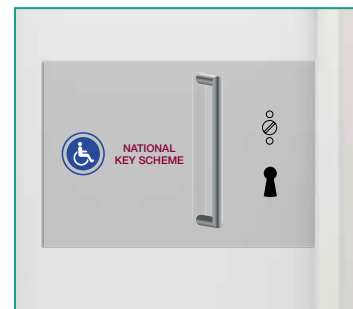
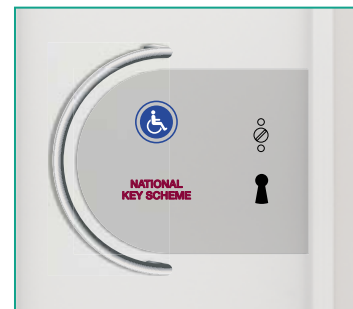
* Note: We do not recommend this process for external use.

NKS Bespoke for Architects and Designers



Now there are no limitations to the furniture design suitable for your disabled toilet.

EXAMPLES OF DESIGNS



Please note for all bespoke designs we will require details of the likely conditions where the door is going to be used, to ensure we use the correct material.

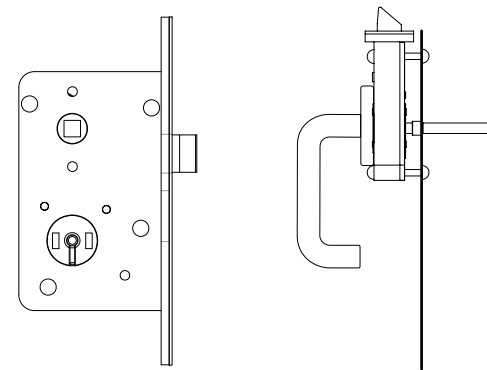
NKS New Frontiers



NEWSTAR are developing the National Key Scheme lock to applications where users have suggested a need. Below are two such applications currently in development. If you find these applications suitable for your needs, please contact Newstar for an update.

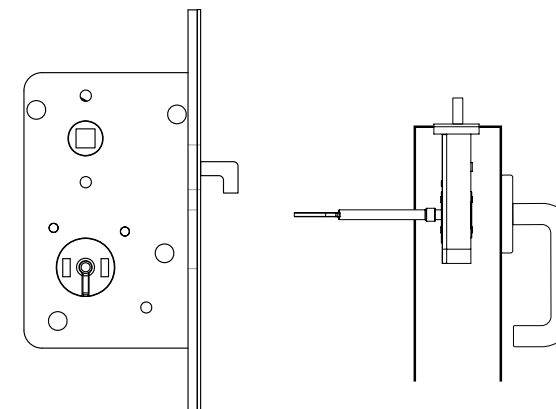
Portaloos

Disabled portaloos are currently not fitted with NKS locks and are therefore open to public misuse and abuse. The objective of the NKS key is to ensure that public toilets available to the disabled are free from misuse and vandalism, to ensure a certain level of hygiene is maintained.



Sliding Doors

The introduction of this product into the NKS range will enable Architects and Designers to make better use of the space available to them. It should be noted that when considering this option the opening should be greater than DDA requirements as the door will not fully recess due to the lever and plate being face fixed.



New National Key Scheme Key



Code: BARY.NKS.KEY



Code: BARY.NKS.PADLOCK



The new NKS keys are available from new-star.co.uk and selected wholesalers. It has been designed to encompass more users and allow ease of use.

KEY FEATURES:

- Extremely tactile
- Bow allows ease of use
- NKS logo
- National Key Scheme (NKS) identification
- Key Ring hole
- Braille identification
- Bright red bow

Disabled Toilet Handle Set



Code: NS.DTHS



- Ideal for retro fitting
- Dual Handed
- Suitable for hinged or sliding doors
- Emergency Release

BUDGET LOCK RANGE



CONTENTS:

STANDARD	
Rim	184
Mortice	184
T Keys	184
CAPTIVE	
Rim	185
Mortice	186
ESUCHEONS	
Face Fix	187
Friction	187
Covered Sprung	187
Covered Swivel	187

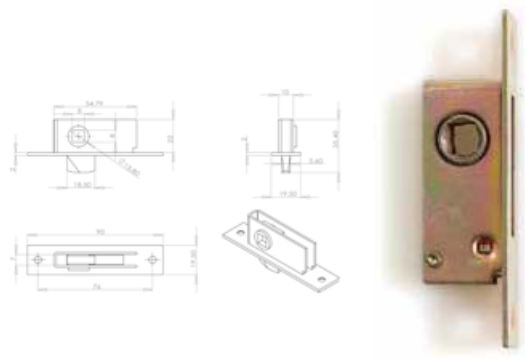
Budget Lock Range



MORTICE BUDGET LOCK



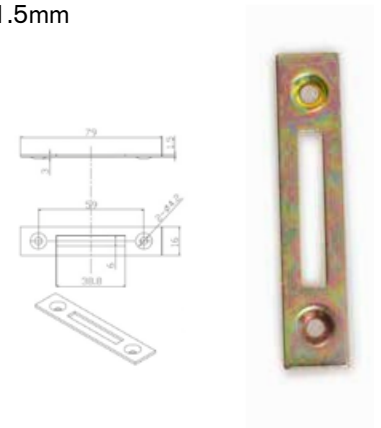
Code: NS.A
90 x 19.5 x 25.4mm



MORTICE BUDGET LOCK STRIKE



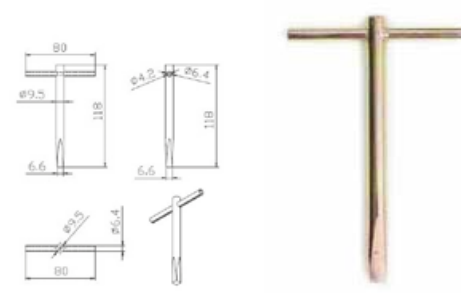
Code: NS.C
79 x 16 x 1.5mm



'T' KEY



Code: NS.F
118 x 80mm
Ø 9.5mm



RIM BUDGET LOCK



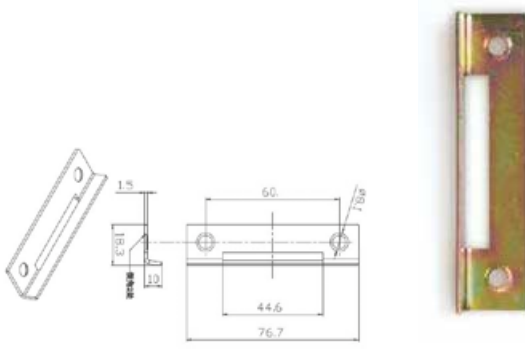
Code: NS.H
80 x 20 x 11.2mm



RIM BUDGET LOCK STRIKE



Code: NS.G
76.7 x 18.3 x 10mm



Rim Captive Key Budget Lock



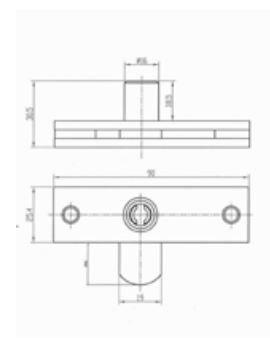
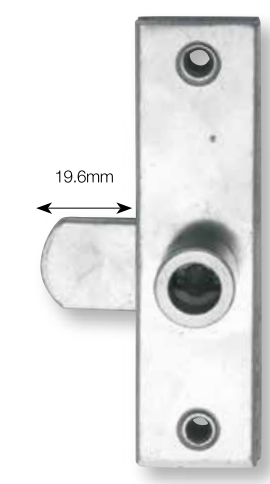
Functions:
Key only withdraws from lock
when in locked position



RIM CAPTIVE KEY BUDGET LOCK



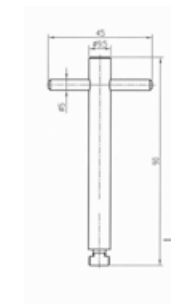
Code: NS.N
90 x 25.4 x 30.5mm
Ø 16mm



CAPTIVE KEY



Code: NS.P
90 x 45mm
Ø 9.5mm



Mortice Captive Key Lockset



Code: NS.Q



- This is available only as a kit comprising of:
- Mortice Budget Lock (NS.A)
 - Satin Stainless Steel Face Plate for NS.A
 - Satin Stainless Steel frame strike
 - Captive Key escutcheon
 - SSS face plate c/w cover for escutcheon
 - Captive Key – to suit 45 / 55mm door

Key only withdraws from the lock when in the locked position.
Suitable for doors from 44 to 54mm.



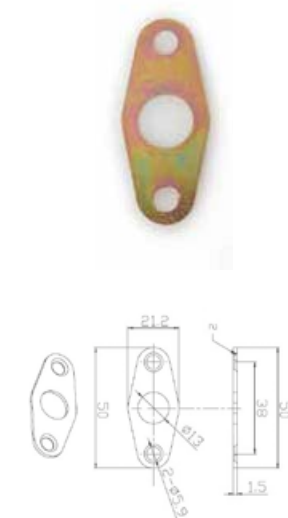
Budget Lock Escutcheons



BUDGET LOCK FLATPLATE ESCUTCHEON



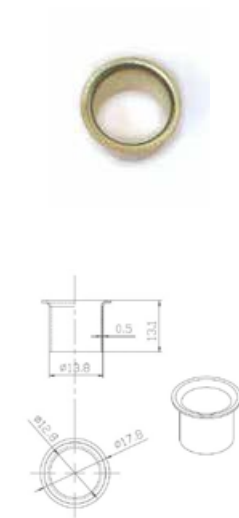
Code: NS.B
50 x 21.2 x 1.5mm
Ø 13mm



BUDGET LOCK FERRULE ESCUTCHEON



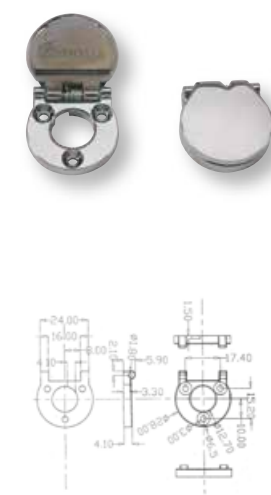
Code: NS.E
13.1 x Ø 17.8mm
Ø 12.8mm



SPRUNG ESCUTCHEON



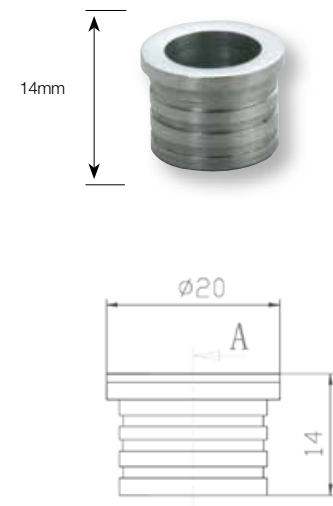
Code: NS.L
5.9mm
Ø 28mm



BUDGET LOCK FERRULE ESCUTCHEON



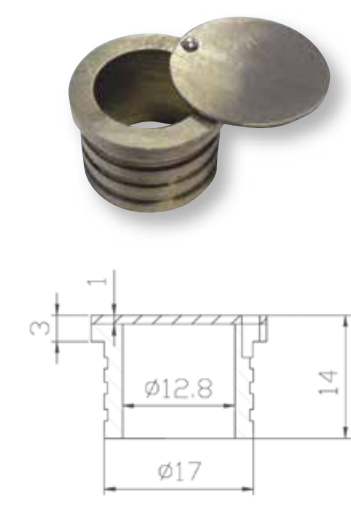
Code: NS.K
Ø 20mm



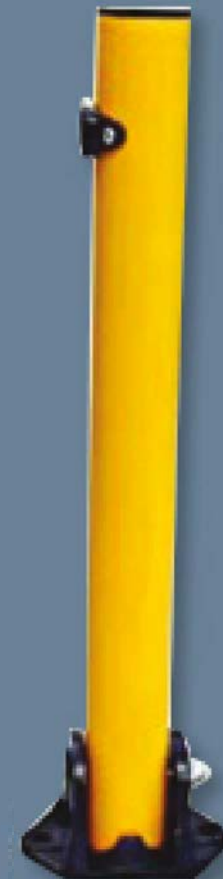
BUDGET LOCK COVERED FERRULE ESCUTCHEON



Code: NS.CK
Ø 20mm
15mm



ACCESSORIES, OTHER LOCKS AND KEYS



CONTENTS:

GARAGE DOOR

Keyed Bolt	190
Keyed Door Handles	191

SHUTTER LOCKS

Bullet Lock and Escutcheons	192
Central Locking Mechanism	192

PARKING POSTS

Dropdown	193
Barrier	193

PADLOCKS

Cylinder Standard Laminated	194
Cylinder Adjustable Shackle	195
Cylinder Standard Water Proof	195
Padlock Protector	196

5 Lever Closed Shackle	197
Shutter	197

SASH JAMMER

HASP & STAPLE, LOCKING BARS	197
Various sizes and strengths	197

SPINDLES

Half to operate, lockable, floating and fixed.	198
Split Spindle	198
Standard Spindle 5 and 8mm	198
Lever Bolt through fixings	198
Adapter 5 to 8mm	198

SPECIALIST LIFT KEYS

Euro Release, short and long.	199-200
Express	199-200
GLC	199-200
Summit	199-200
Otis	199-200

H&C	199-200
GAL	199-200

DREWHRUST

Drewhurst	199-200
-----------	---------

SPECIALIST KEYS

General Utility Key	201
Gas Meter Key	201
T Key	201
Mortice Window Key	201
Padlock Key Blanks	201

LONDON FIRE BRIGADE KEYS

LONDON FIRE BRIGADE KEYS	201
--------------------------	-----

SEALANT SILICONE

General purpose	202
Multi-Purpose	202
Decorators Caulk	202
Acoustic Sealant	202
Mire Kit	202
Lubricating Spray	202
Sealant Gun	202

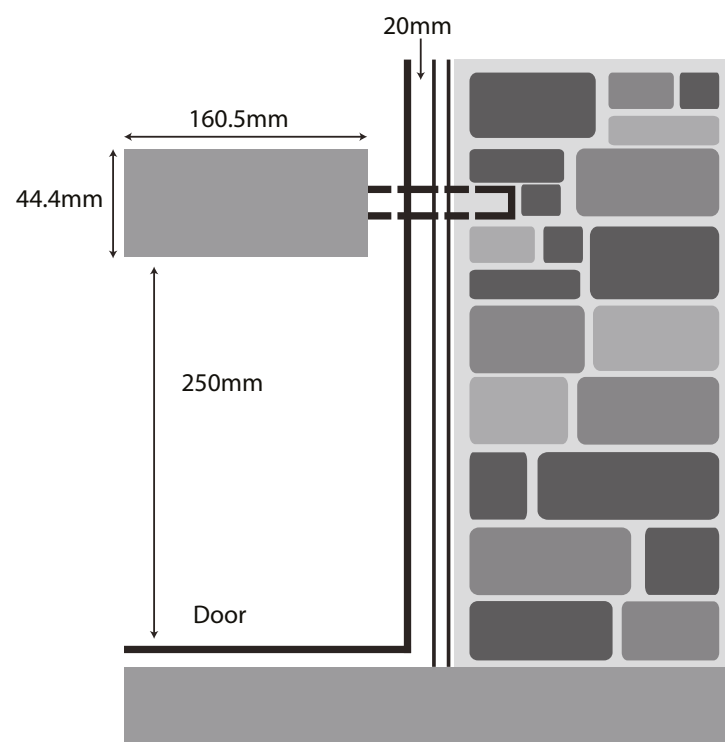
Garage Door Bolt



Code: NS.GDB



DIMENSIONAL DRAWING:



USAGE:

- The newstar **BARRY** garage door bolts are for use on all types of sectional or up and over garage doors. Universally designed this product allows for a wide variation of door constructions, operated from both sides and can be fitted either vertically or horizontally.
- The **BARRY** garage door bolt comes with hardened steel rollers to enhance security.
- The **BARRY** garage door bolt is very easy to fit on all metal or wooden doors up to 38mm thickness.
- They come complete with coach bolts, nuts and escutcheons.
- Both locks are keyed alike with a four sided key offering millions of key differs. Three keys are provided.
- The **BARRY** garage door lock is available in black.

Garage Door Handles



FURNITURE HANDLE

CHR

Code: NS.FH1F – Front hole
NS.FH1R – Rear hole

8mm spindle



FURNITURE HANDLE

CHR

Code: NS.FH2 – Front hole

76mm spindle



GARAGE DOOR HANDLE

CHR

Code: NS.GDH1S – Square
NS.GDH1D – Diamond

Backplate 75x43mm
Spigots 17mm



GARAGE DOOR HANDLE

SILV

Code: NS.GDH2

Diamond
Backplate 75x43mm
Spigots 35mm



GARAGE DOOR HANDLE

BLK

Code: NS.GDH3

Square
Backplate 120x70mm



GARAGE DOOR HANDLE

SILV

Code: NS.GDH4

Square
100x62mm



Shutter Locks

ROUND FACED BULLET LOCK

Code: CBL1

Chrome plated brass body, steel pin. Available keyed alike or in groups of 10.

Supplied with 2 numbered keys



STEEL HOUSING FOR CBL1 BULLET LOCK

Code: LES1

Machined from 40mm diameter mild steel bar

Tapered profile, Self colour finish

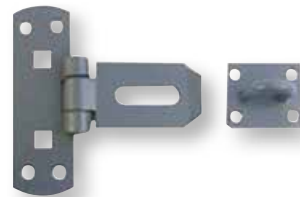


VERTICAL LOCKING BAR

Code: LB2

Mild steel construction with hardened steel staple

Supplied with fixing screws and bolts



CENTRAL SHUTTER LOCK

Code: CSL1

Standard width, case size 155mm x 55mm
Available keyed alike or in groups of 10
Key operated from both sides

Supplied with 3 numbered keys



OVAL BULLET LOCK

Code: OBL1

Brass body, steel pin
Available keyed alike or in groups of 10
Supplied with 2 numbered keys



CENTRAL SHUTTER LOCK

Code: CSL2

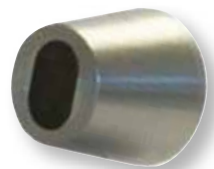
Narrow width, case size 155mm x 40mm
Available keyed alike or in groups of 10
Key operated from both sides
Supplied with 3 numbered keys



STEEL HOUSING FOR OBL1 BULLET LOCK

Code: OES1

Machined from 40mm diameter mild steel bar
Tapered profile. Self colour finish



CENTRAL SHUTTER LOCK

Code: CSL3

Ultra narrow width, case size 200mm x 30mm
Available keyed alike or in groups of 10
Key operated from both sides
Supplied with 2 numbered keys



Parking Posts

Code: KA = Keyed Alike, KD = Keyed Differ

DROPDOWN PARKING POST

Code: NS.PP1 KA, NS.PP1 KD

Integral Lock
c/w two keys
(Three fixing bolts required, not supplied)

YEL



DROPDOWN PARKING POST (PADLOCK NOT SUPPLIED)

Code: NS.PP2

5KG
Base 100x175mm
Post 65mm O/D 700mm long
(Two fixing bolts required, not supplied)

GAL

WHT



HEAVY DUTY TOPLOCK PARKING POST

Code: NS.PP3

5KG
(Two fixing bolts required, not supplied)

GAL



LARGE PARKING BARRIER TOP PADLOCK (PADLOCK NOT SUPPLIED)

Code: NS.PP4

Base plate 305x260mm
Post 690mm high
(Four fixing bolts required, not supplied)

YEL



CONCRETE EXPANDA BOLT

Code: NS.PPB1

(sold as each)

TARMAC EXPANDA BOLT

Code: NS.PPB2

(sold as each)

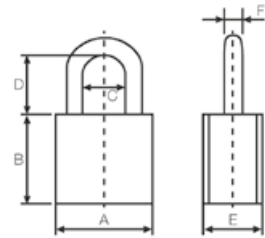
Padlocks



Code: KA = Keyed Alike, KD = Keyed Differ

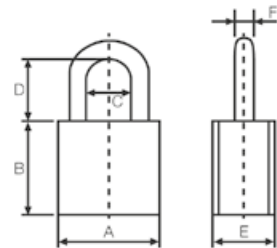
LAMINATED STANDARD PADLOCKS

CODE	KEYED	PACKED	KEYS	DIMENSIONS (MM)							
				A	B	C	D	E	F	G	BLANK
BP30	KD	VP	5	31	26.4	14.5	17.5	17.5	5	22.5	PAD 1
BP30.KA	KA	Boxed	2	31	26.4	14.5	17.5	17.5	5	22.5	PAD 1
BP40	KD	VP	5	40	33	20.5	24	22.5	6.1	30.1	PAD 2
BO40.KA	KA	Boxed	2	40	33	20.5	24	22.5	6.1	30.1	PAD 2



LAMINATED LONG SHACKLE PADLOCKS

CODE	KEYED	PACKED	KEYS	DIMENSIONS (MM)							
				A	B	C	D	E	F	G	BLANK
BPLS.30	KD	VP	5	31	26.4	14.5	37	17.5	5	42	PAD 1
BPLS.50	KD	VP	5	50	37.5	24.5	60	26	8.8	68.8	PAD 2



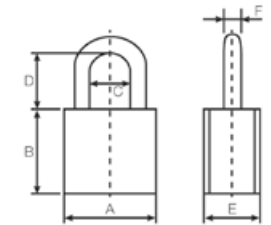
Padlocks



Code: KA = Keyed Alike, KD = Keyed Differ

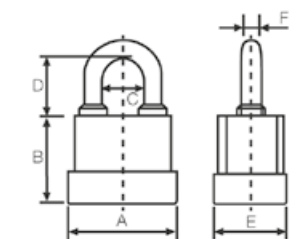
LAMINATED ADJUSTABLE SHACKLE PADLOCKS

CODE	KEYED	PACKED	KEYS	DIMENSIONS (MM)							
				A	B	C	D	E	F	G	BLANK
BP45.AS166	KA	VP	5	45	33	21	159 - 109	23.5	7	166 - 116	N/A
BP45.AS88	KA	VP	5	45	33	21	23 - 28	23.5	7	45 - 35	N/A



LAMINATED WATERPROOF STANDARD PADLOCKS

CODE	KEYED	PACKED	KEYS	DIMENSIONS (MM)							
				A	B	C	D	E	F	G	BLANK
BPWP30	KD	VP	5	39	30	13.5	14	28	6	20	PAD 4



Anti-Vandal Padlock or Lock Protector

Code: ILG.HIN



Hinged Cylinder Padlock Protector



Double Padlock Protector

Code: ILE.D



Single Padlock Protector in powder-coated stainless steel

Code: ILG.S



Single Padlock Protector

Code: ILG.AB

APPLICATION:

- Prevents a padlock or lock being tampered with or damaged in attempt to forcibly open
- Provides additional security for any padlocked or locked access point

FEATURES:

- Protector bolts onto door and door frame; prevents attempts to cut through padlock shackle or lock, prevents attempts to force padlock or lock open and strengthens door where locking device deployed
- Padlock Protector available for use with either a single or double padlock; suitable for shackle diameter up to 20mm for a single padlock or up to 16mm each double padlock
- Manufactured in stainless steel for strength and durability
- As standard finished in satin stainless steel; also available in any RAL polyester powder coating to order

Padlocks, Locking Bars, Hasp & Staples



SASH JAMMER FOR DOORS & WINDOWS

Code: NS.SJ1

Zinc diecast body with heavy duty steel hinge

WHT



ARMOUR PLATED SHUTTER PADLOCK

BZP

Code: NS.SP1

5 pin tumbler mechanism
Brass core with hardened steel cover.
Hardened steel shackle.
Supplied with 3 keys.

Available:

- keyed to differ
- keyed alike



HEAVY DUTY LOCKING BAR

GR

Code: NS.LB1

Malleable cast body
Forged hardened steel staple
Supplied with 2 fixing plates and 7 fixing bolts.



5 LEVER CLOSE SHACKLE PADLOCK

GR

Code: NS.CS1

65mm. Double steel plates
Hardened steel shackle
Supplied with 2 keys



LOCKING BAR

BLK

Code: NS.K1

152 x 57mm



LOCKING BAR

BLK

Code: NS.K2

203 x 38mm
254 x 41mm
305 x 44mm
356 x 48mm
406 x 51mm
457 x 64mm
508 x 64mm



LOCKING BAR

BLK

Code: NS.K3

610 x 64mm
762 x 64mm
915 x 64mm



LOCKING BAR

BLK

Code: NS.K4

152 x 127 x 57mm



LOCKING BAR

BLK

Code: NS.K5

127 x 83 x 29mm



LOCKING BAR

BLK

Code: NS.K6

152 x 38mm
203 x 38mm
254 x 41mm
305 x 44mm
356 x 48mm
406 x 51mm
457 x 60mm
508 x 60mm



Trim Accessories Components (spindles & fixings)



HALF SPINDLE TO OPERATE FRONT FIX

Code: NS.HS

ZP

60mm



HALF SPINDLE FIXED DEAD

Code: NS.FD

ZP

35mm



HALF SPINDLE TO OPERATE REAR FIX

Code: NS.HSA

PZP

60mm



SPLIT SPINDLE

PZP

Code: NS.SS

100mm



BREAK THROUGH SPINDLE

PZP

Code: NS.BTS

100mm



5MM STANDARD SPINDLE

PZP

Code: NS.SP5

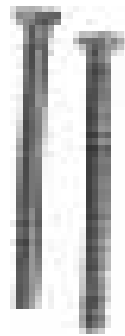
5mm 65mm



PULL HANDLE BOLT THROUGH FIXINGS

Code: FIX 1
M8 X 60MM

ZP



5-8MM SPINDLE ADAPTER METAL

PZP

Code: SLEEVE M



LEVER HANDLE BOLT THROUGH FIXINGS

Code: NS.BTF 60MM,
NS.BTF.80MM

ZP



Lift + Specialist Keys

EURO RELEASE KEY SHORT

Code: KS825D1

PCP



EURO RELEASE KEY 75MM

Code: F0A194BC1

PZP



EURO RELEASE KEY 175MM

Code: PL0390

BZP



EXPRESS TYPE DROP KEY

Code: X78358 (UDK)

BZP



EXPRESS TYPE DROP KEY WITH BLANK END

Code: X78358/B

BZP



GLC TYPE DROP KEY

Code: 78362

BZP



SUMMIT TYPE DROP KEY

Code: KSM01

BZP



OTIS TYPE DROP KEY 2 PART

Code: 0825A

BZP



OTIS TYPE DROP KEY 3 PART

Code: 0825B

BZP



H&C TYPE DROP KEY

Code: 2216212-03

BZP



GAL TYPE DROP KEY

Code: G840

BZP



DREWHURST VL10/20/30 KEY

Code: VL10REL

BZP



Lift + Specialist Keys

H+C SPOON KEY 175MM **BZP**
Code: 381201



H+C SPOON KEY 450MM **BZP**
Code: 381204



EXPRESS TYPE SPOON KEY 150MM **BZP**
Code: 21365



EXPRESS TYPE SPOON KEY 450MM **BZP**
Code: 27557



BENNIE TYPE SPOON KEY 170MM **BZP**
Code: BENN616



OTIS TYPE V KEY 190MM **BZP**
Code: K0825D



OTIS TYPE V KEY C/W HANDLE **BZP**
Code: K0825E



OTIS TYPE V KEY 500MM **BZP**
Code: K0825F



RELEASE KEY DUAL SIDED FOB
Code: DRK1



ELEVATOR LIFT KEY **BZP**
Code: ELK



Specialist Keys & FB Key Sets



GENERAL UTILITY KEY **BLK**
Code: NS.GUK



GAS METER KEY **BZP**
Code: NS.GMK



T KEY **PZP**
Code: NS.F



MORTICE DOOR & WINDOW BOLT KEY
Code: NS.316



KEY BLANK YALE/UNIVERSAL TYPE
Code: LBR.KEY



LAMINATED PADLOCK BLANK
Code: PAD.1/2/3



WATERPROOF PADLOCK BLANK
Code: PAD.4/5/6



FB KEY SET
Code: FB.KS



- 1 X FB1.KEY
- 1 X FB2.KEY
- 1 X FB4.KEY
- 1 X LFB.KEY
- 1 X LFB11.KEY
- 1 X LFB14.KEY

KEY
Code: FB1.KEY.150MM | FB1.KEY



Code: LFB Key



KEY
Code: FB2.KEY.150MM | FB2.KEY



Code: LFB11 Key



KEY
Code: FB4.KEY.150MM | FB4.KEY



Code: LFB14 Key



Adhesives Silicone, Adhesives & Lubricating Spray

SILICONE

Code: NS.SC



A general purpose, silicone rubber sealant with fungicide. Suitable for most sealing jobs around the home.



MULTI-PURPOSE GAP-FILING ADHESIVE

Code: NS.SN

Solvent free, low odour, water clean-up, construction adhesive. Recommended for internal use only.



DECORATORS CAULK

Code: NS.DC

A quick drying interior decorators filler. Adheres to most surfaces. (Not recommended for external use, for PVCU or in wet areas.) 310ml.



INTUMESCENT ACOUSTIC ACRYLIC SEALANT & ADHESIVE

Code: NS.FRA

Specially manufactured to form an acoustic and fire rated intumescent barrier in construction applications i.e. floor and ceilings joints etc. Solvent free. 4 hour fire rating. Conforms to BSEN 140 pt 3; BSEN 20140 & BS476 pt 20.



MITRE KIT

Code: NS.MK

A high strength bonding system comprising a cyanoacrylate adhesive with an aerosol activator. Pack includes: 1 tin of activator (200ml) and 1 bottle of HVC Superglue (50g).



LUBRICATING SPRAY

Code: NS.LS

Environmentally friendly lubricating spray. Ideal for anywhere that non-sticky lubrication spray maintenance is required. 400ml & 200ml available.



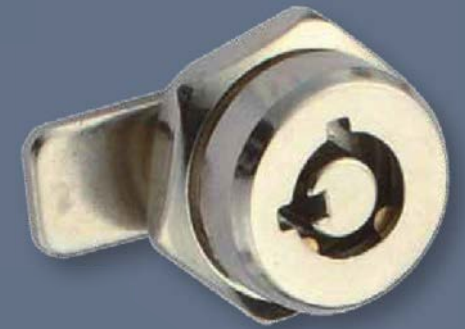
SEALANT GUN

Code: NS.SG

For use with cartridge based products. 400ml.



CAM LOCKS AND CATCHES



CONTENTS:

CAM LOCKS

Range of Locking Mechanisms and Tongue lengths	204-205
Glass Door Locks	205
Gas Meter Lock	206
Filing Cabinet Lock	206
Double Handed Cabinet Lock	207
Multi Drawer Lock	207
Sliding Lock	207

CATCHES

Door	208
Showcase	208
Throw Over	208
Double Roller	208
Magnetic	208
Touch	208

Cam Locks



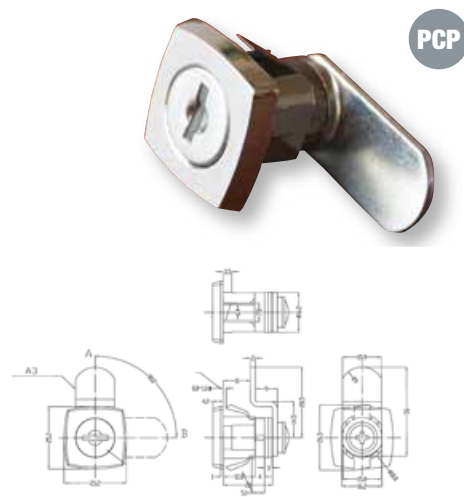
Code: KA = Keyed Alike, KD = Keyed Differ

CAM LOCK

Code: NS.G02823.KA, NS.G02823.KD13

2 Keyed Polybagged

CODE	MATERIAL	POSITIONS	KEY PULLS	TURNS
NS.G02006	3	2	1	135 degrees



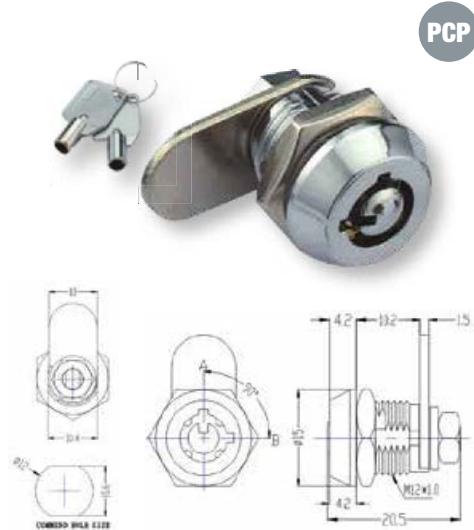
PCP

CAM LOCK

Code: NS.G2H800.KA

2 Keyed Polybagged

CODE	MATERIAL	POSITIONS	KEY PULLS	TURNS
NS.G2H800	3	2	2	90 degrees



PCP

CAM LOCK

Code: NS.G25062.KA

2 Keyed Polybagged

CODE	MATERIAL	POSITIONS	KEY PULLS	TURNS
NS.G25062	3	2	2	90 degrees



PCP

Multi-Locks

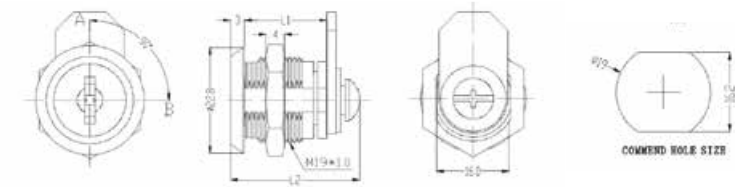


Code: KA = Keyed Alike, KD = Keyed Differ

CAM LOCK

Code: NS.G05130.KA, NS.G05130.KD

2 Keyed Polybagged



PCP

CODE	MATERIAL	POSITIONS	KEY PULLS	TURNS	L1	L2	DIFFERS
NS.G05130/11	3	2	2	90 degrees	11mm	19mm	-
NS.G05130/16	3	2	2	90 degrees	18mm	27mm	160
NS.G05130/20	3	2	2	90 degrees	20mm	28mm	160
NS.G05130/22	3	2	2	90 degrees	22mm	30mm	160
NS.G05130/27	3	2	2	90 degrees	27mm	35mm	280
NS.G05130/32	3	2	2	90 degrees	32mm	40mm	280

GLASS DOOR LOCK

Code: NS.GL1

Chrome plated glass door lock suitable for glass up to 9mm thick.
Set comprises of lock c/w 2 keys plus trike for wood frame or glass to glass.



PCP

Multi-Locks



Code: KA = Keyed Alike, KD = Keyed Differ

GAS METER LOCK & KEY

Code: NS.GML.LOCK, NS.GMK.KEY

CODE	MATERIAL	POSITIONS	KEY PULLS	TURNS
NS.GML	3	2	-	90 degrees



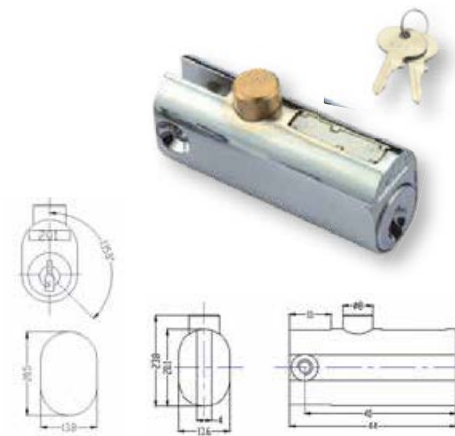
PCP

FILING CABINET LOCK

Code: NS.G02006, NS.G02006.KD13

2 Keyed Polybagged

CODE	MATERIAL	POSITIONS	KEY PULLS	TURNS
NS.G02006	3	2	1	135 degrees



PCP

CAM LOCK

Code: NS.G22067.KA, NS.G22067.KD6

2 Keyed Polybagged

CODE	MATERIAL	POSITIONS	KEY PULLS	TURNS	L1
NS.G22067	3	2	1	90 degrees	30mm



PCP

Multi-Locks



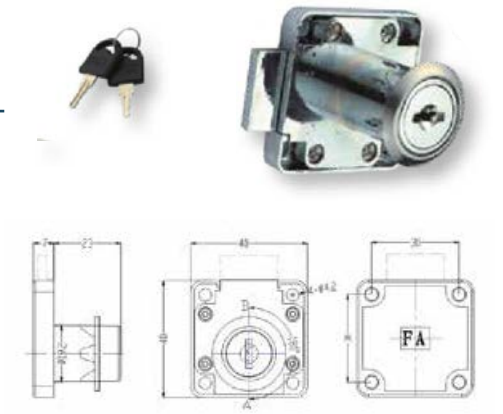
Code: KA = Keyed Alike, KD = Keyed Differ

DOUBLE HANDED LOCK

Code: NS.G47007.KA, NS.G47007.KD280

2 Keyed Polybagged

CODE	MATERIAL	POSITIONS	KEY PULLS	TURNS
NS.G47007	3	2	2	180 degrees



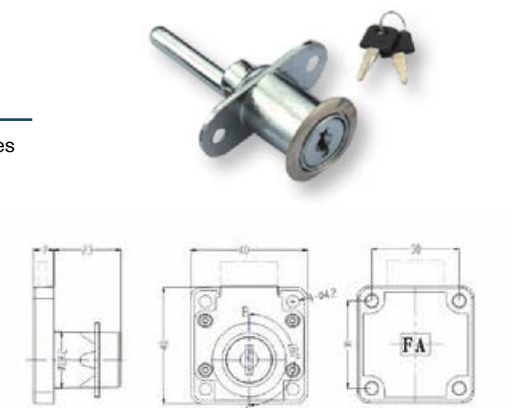
PCP

MULTI DRAW LOCK

Code: NS.G47010.KA, NS.G47010.KD160

2 Keyed Polybagged

CODE	MATERIAL	POSITIONS	KEY PULLS	TURNS
NS.G47010	3	2	1	180 degrees



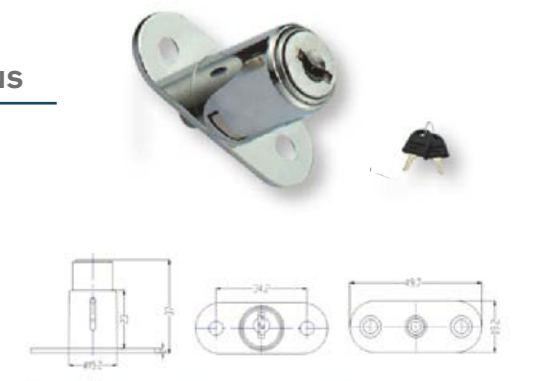
PCP

SLIDING LOCK

Code: NS.G47004.KA, NS.G47004.KD160

2 Keyed Polybagged

CODE	MATERIAL	POSITIONS	KEY PULLS	TURNS
NS.G47004	3	2	2	-



PCP

Catches

BARY™

DOOR CATCH

PB PCP SCP

Code: NS.CA1

57mm



SHOWCASE CATCH

PB

Code: NS.CA2

42mm



THROW OVER CATCH

PB PCP

Code: NS.CA3

55mm



THROW OVER CATCH

PB PCP SCP

Code: NS.CA4

52mm



DOUBLE BALL CATCH

PB

Code: NS.CA5

42mm
50mm
60mm
70mm

MAGNETIC CATCH

WHT

Code: NS.CA6

42mm
62mm

DOUBLE ROLLER CATCH

ZP

Code: NS.CA7

31mm



TOUCH CATCH

ZP

Code: NS.CA8

75mm



WINDOW LOCKS



CONTENTS:

WINDOW	
Cube Lock – Window Restrictor	210-218
Window Handle – Crittall Type	219
Bolts	220-221
Anti Tamper Locking Window Restrictor	222
Window Winder	223
Trickle Vents	223



Trusted for safety,
tested for security,
Cubelock window
restrictors are built
for peace of mind.



CLP1 Premier Single Lock Window Restrictor
page 211



CLP2 Premier Double Lock Window Restrictor
page 212

From the standard Cubelock Restrictor to the Cubelock Premier Double Key Restrictor, all of the Cubelock range of Window Restrictors meet and exceed BS EN 13126-5:2011 so you can be sure of secure and safe windows for adults and children.



CLS1 Standard Single Lock Window Restrictor
page 213



CLS2 Standard Double Lock Window Restrictor
page 214



CLS3 Combi Handle Single Lock Window Restrictor
page 215



CLB1 Budget Single Lock Restrictor
page 216



CLB2 Fixed Window Restrictor
page 217



CLC1 Anti Tamper Cover to suit the majority of Windows Restrictors page 218

Premier Window Restrictor

CLP1

Complies with child safety function of BS EN 13126-5:2011. The Premier Restrictor limits the opening of windows. Particularly designed with high security and window safety in mind, due to the number of abuse cases involving egress through windows in the NHS. Utilising "triplelock" security mechanism, when attacked this product fails secure.



FITS WOOD ALUMINIUM PVC STEEL FRAMES



TAMPER PROOF SCREWS



200MM CABLE LENGTH



SECURE KEY MECHANISM PATENT APPLIED

This product was designed as a response to NHS Estates and Facilities alert, Ref: EFA/2013/002 issued: 23-1-13, Gateway Reference: 18651 which stated that "Window restrictors may be inadequate in preventing a determined effort to force a window open beyond the 100mm restriction". When attacked, standard locking mechanisms will fail open. The Premier Window Restrictor fails secure and provides a robust locking mechanism to ensure protection from attack. All keys are within a passing group which ensures ease of use within a single dwelling.

The Premier Restrictor can be fitted on wood, aluminium, PVC and steel. Supplied with tamper proof screws once fitted the likelihood of abuse is minimized.

The Premier Restrictor is available in white, and other colours to special order. The Restrictors are multi-faceted and are ideal for houses, apartments, commercial premises and public buildings.

The CLP1 Premier Restrictor offers a high security mechanism that is robust from attack by non-key holders.

Ideal For:
Houses
Apartments
Hotels
Hospitals
Secure units



01474 353111 • sales@cubelockrestrictor.com • cubelockrestrictor.com

Premier Double Lock Window Restrictor

CLP2

The Double Premier Restrictor limits the opening of windows. It is used where the cable needs to be disengaged for periods of time. Particularly designed with high security and window safety in mind, due to the number of abuse cases involving egress through windows in the NHS.



FITS WOOD ALUMINIUM PVC STEEL FRAMES



TAMPER PROOF SCREWS



200MM CABLE LENGTH



SECURE KEY MECHANISM

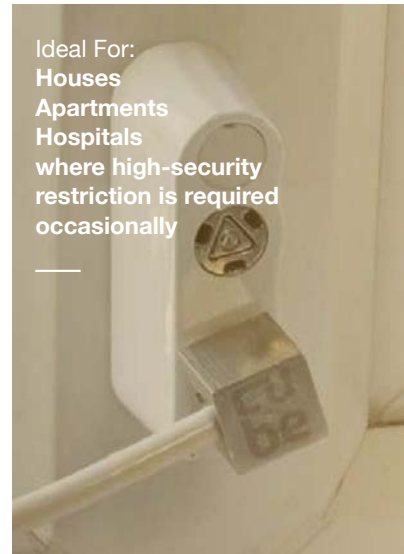
This product was designed as a response to NHS Estates and Facilities alert, Ref: EFA/2013/002 issued: 23-1-13, Gateway Reference: 18651 which stated that "Window restrictors may be inadequate in preventing a determined effort to force a window open beyond the 100mm restriction". When attacked, standard locking mechanisms will fail open, this product fails secure and provides a robust locking mechanism to ensure protection from attack". All keys are within a passing group which ensures ease of use within a single dwelling.

The Premier Restrictor can be fitted on wood, aluminium, PVC and steel. Supplied with tamper proof screws once fitted the likelihood of abuse is minimized.

The Premier Restrictor is available in white only. The Restrictors are multi-faceted and are ideal for houses, apartments, commercial premises and public buildings.

The CLP2 Premier Restrictor offers a high security mechanism that is robust from attack by non-key holders.

Ideal For:
Houses
Apartments
Hospitals
where high-security restriction is required occasionally



01474 353111 • sales@cubelockrestrictor.com • cubelockrestrictor.com

cubelock

Standard Window Restrictor

CLS1

Complies with child safety function of BS EN 13126-5:2011. The Restrictor limits the opening of windows. Particularly designed with window safety in mind due to the number of accidents occurring through window openings exceeding that of a child's size.



FITS WOOD ALUMINIUM PVC STEEL FRAMES



TAMPER PROOF SCREWS



200MM CABLE LENGTH



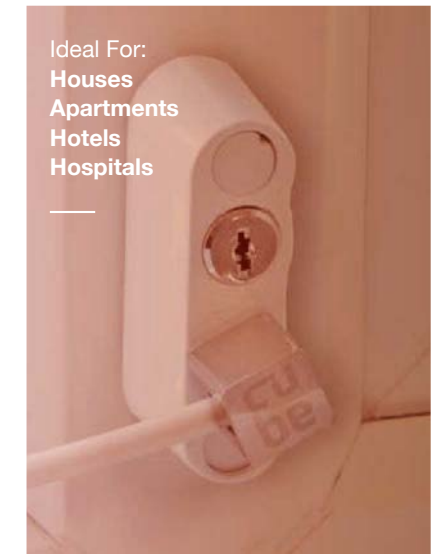
STANDARD KEY MECHANISM

The Restrictor is lockable and comes with a cable length of 200mm. All keys are within a passing group which ensures ease of use within a single dwelling. The Restrictor can be fitted on wood, aluminium, PVC and steel. Supplied with tamper proof screws, once fitted the likelihood of abuse is minimized.

The Restrictor is available in white, polished chrome, satin chrome and polished brass. Other finishes available upon request.

The Restrictors are multi-faceted and are ideal for houses, apartments, commercial premises and public buildings, such as hotels and hospitals. Supplied with a disc lock mechanism the Restrictor will improve the security of buildings and the safety of its occupants.

Ideal For:
Houses
Apartments
Hotels
Hospitals



BS EN 13126-5:2011
Child safety restrictor allows maximum 89mm opening.



01474 353111 • sales@cubelockrestrictor.com • cubelockrestrictor.com



Double Lock Standard Window Restrictor

CLS2

The Double Restrictor limits the opening of windows. It is used where the cable needs to be disengaged for periods of time.



FITS WOOD ALUMINIUM PVC STEEL FRAMES



TAMPER PROOF SCREWS



200MM CABLE LENGTH



STANDARD KEY MECHANISM

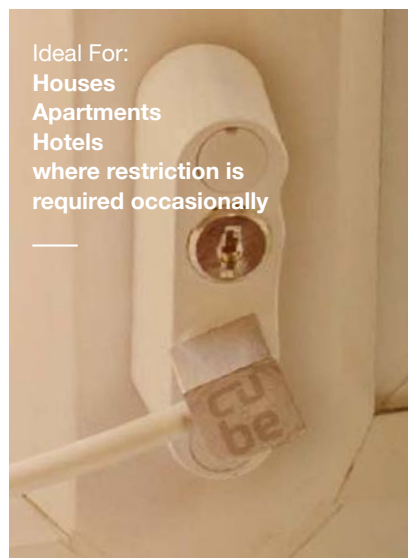
Particularly designed with window safety in mind due to the number of accidents occurring through window openings exceeding that of a child's size.

The Restrictor is lockable at two points and comes with a cable length of 200mm. All keys are within a passing group which ensures ease of use within a single dwelling. The Restrictor can be fitted on wood, aluminium, PVC and steel. Supplied with tamper proof screws, once fitted the likelihood of abuse is minimized.

The Restrictor is available in white only. Other finishes available upon special order request.

The Restrictors are multi-faceted and are ideal for houses, apartments, commercial premises and public buildings, such as hotels and hospitals. Supplied with a disc lock mechanism the Restrictor will improve the security of buildings and the safety of its occupants.

Ideal For:
Houses
Apartments
Hotels
where restriction is required occasionally



01474 353111 • sales@cubelockrestrictor.com • cubelockrestrictor.com



Combi Standard Window Restrictor

CLS3

Designed to work in combination with an existing window handle the Combi Restrictor limits the opening of windows and fits below the windows fixing. Complies with child safety function of BS EN 13126-5:2011.



FITS WOOD ALUMINIUM PVC STEEL FRAMES



TAMPER PROOF SCREWS



200MM CABLE LENGTH



STANDARD KEY MECHANISM

The Combi Restrictor limits the opening of windows. Particularly designed with window safety in mind, due to the number of accidents occurring through window openings exceeding that of a child's size. It is designed to work in combination with an existing window handle and fits below the existing windows fixing.

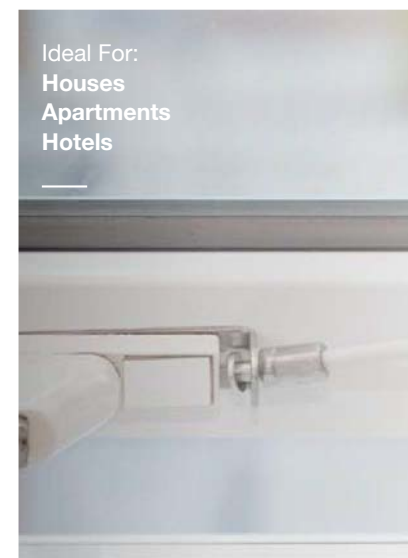
The Combi Restrictor is lockable and comes with a cable length of 200mm. All keys are within a passing group which ensures ease of use within a single dwelling.

The Combi Restrictor can be fitted on wood, aluminium, PVC and steel. Supplied with tamper proof screws once fitted the likelihood of abuse is minimized.

The Combi Restrictor is available in white only.

The Combi Restrictor are multi-faceted and are ideal for houses, apartments, commercial premises and public buildings. Supplied with a disc lock mechanism the Combi Restrictor will improve the security of buildings and the safety of its occupants.

Ideal For:
Houses
Apartments
Hotels



01474 353111 • sales@cubelockrestrictor.com • cubelockrestrictor.com



Budget Restrictor

CLB1

Complies with child safety function of BS EN 13126-5:2011. The Budget Restrictor limits the opening of windows. Particularly designed with window safety in mind due to the number of accidents occurring through window openings exceeding that of a child's size.



FITS WOOD
ALUMINIUM
PVC STEEL
FRAMES



TAMPER
PROOF
SCREWS



200MM
CABLE
LENGTH



STANDARD KEY
MECHANISM

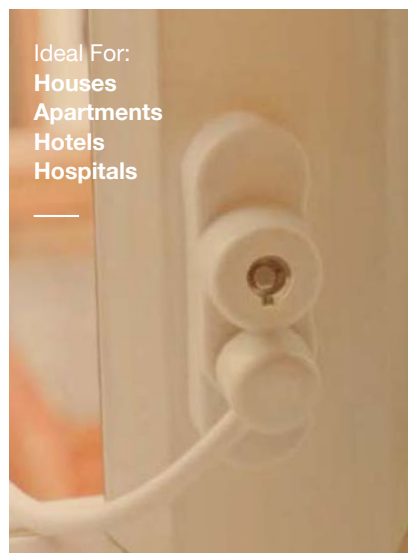
The Budget Restrictor is lockable and comes with a cable length of 200mm. All keys are within a passing group which ensures ease of use within a single dwelling. The Budget Restrictor can be fitted on wood, aluminium, PVC and steel. Supplied with tamper proof screws, once fitted the likelihood of abuse is minimized.

The Budget Restrictor is available in white, polished chrome, satin chrome and polished brass. Other finishes available upon request.

The Budget Restrictors are multi-faceted and are ideal for houses, apartments, commercial premises and public buildings, such as hotels and hospitals. Supplied with a disc lock mechanism the Budget Restrictor will improve the security of buildings and the safety of its occupants.

The key is captive to ensure it does not get lost when open.

Ideal For:
Houses
Apartments
Hotels
Hospitals



01474 353111 • sales@cubelockrestrictor.com • cubelockrestrictor.com



Fixed Window Restrictor

CLB2

The Patented Fixed Restrictor limits the opening of windows. It is designed to be a budget version of the standard locking mechanisms.



FITS WOOD
ALUMINIUM
PVC STEEL
FRAMES



TAMPER
PROOF
SCREWS



200MM
CABLE
LENGTH

PATENT
APPLIED
FOR

The Patented Fixed Restrictor limits the opening of windows. Particularly designed with window safety in mind, due to the number of accidents occurring through window openings exceeding that of a child's size. It is designed to be a budget version of the standard locking mechanisms.

The Fixed Restrictor can be fitted on wood, aluminium, PVC and steel. Supplied with tamper proof screws once fitted the likelihood of abuse is minimized.

The Fixed Restrictor are multi-faceted and are ideal for houses, apartments, commercial premises and public buildings. The Fixed Restrictor will improve the security of buildings and the safety of its occupants. It was designed as an alternative response to NHS Estates and Facilities alert, Ref: EFA/2013/002 issued: 23-1-13, Gateway Reference: 18651 which stated that "Window restrictors may be inadequate in preventing a determined effort to force a window open beyond the 100mm restriction". When attacked, standard locking mechanisms will fail open, this product fails secure and provides a robust locking mechanism to ensure protection from attack". Available in white only.

Ideal For:
Houses
Apartments
Public buildings



01474 353111 • sales@cubelockrestrictor.com • cubelockrestrictor.com

cubelock

Anti-Tamper Cover for Window Restrictor

CLC1

The Anti Tamper Cover helps protect the key section on all standard window restrictors.



FITS WOOD
ALUMINIUM
PVC STEEL
FRAMES



TAMPER
PROOF
SCREWS

This product helps limit the potential for attack in existing disc lock mechanisms. The NHS Estates and Facilities alert, Ref: EFA/2013/002 issued: 23-1-13, Gateway Reference: 18651 which stated that "Window restrictors may be inadequate in preventing a determined effort to force a window open beyond the 100mm restriction".

This product protects the locking mechanism on all standard window restrictors.

Available in white only. Other colours available to special order.

Ideal For:
Securing locking mechanism on many existing restrictors of any brand



01474 353111 • sales@cubelockrestrictor.com • cubelockrestrictor.com

Handle to Suit Crittall Window

Code: CH.LH.SIL
CH.RH.SIL



Bary Bolts



Code: KA = Keyed Alike, KD = Keyed Differ

MULTI PURPOSE BOLT

Code: PDB

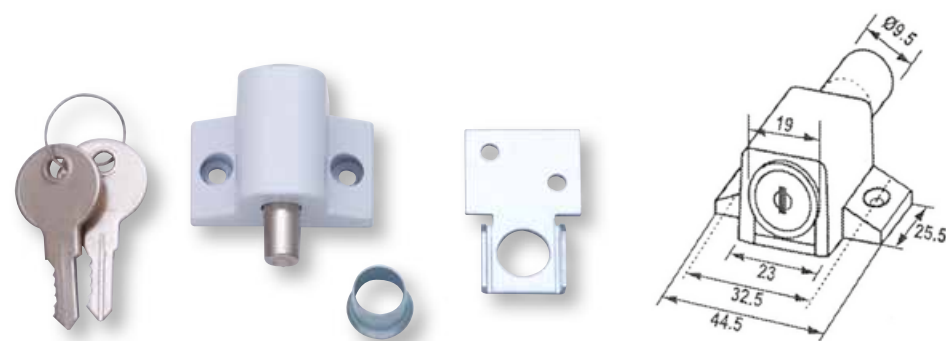
KA or KD



PATIO DOOR BOLT

Code: WB

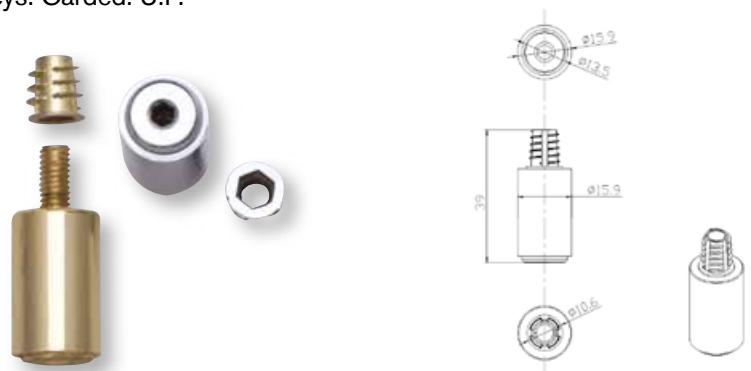
KA or KD



WINDOW SASH STOP

Code: WSS

Supplied in pairs c/w keys. Carded. U.P.



Window & Door Security

MORTICE DOOR BOLT

Code: NS.315

60mm Square



MORTICE DOOR BOLT RADIUS

Code: NS.315R

60mm



MORTICE DOOR BOLT THUMBTURN

Code: NS.277

30mm



MORTICE DOOR & WINDOW BOLT KEY

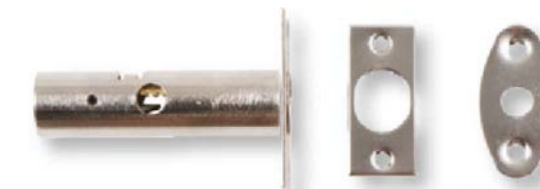
Code: NS.316



MORTICE DOOR BOLT

Code: NS.315/88

88mm Square



MORTICE WINDOW BOLT

Code: NS.796

35mm



Window Restrictor

SSS SAA

STEEL FRAMED WINDOW RESTRICTOR

Long Code: 1WINR.STR.L | Short Code: 1WINR.STR.S



- Provides a window restrictor suitable for metal, uPVC or timber window frames
- Simple to install
- Discreet and unobtrusive when installed

ANTI-TAMPER LOCKING WINDOW RESTRICTOR

SSS

Code: 1WINR.LOCK



- Locks to a window frame, allowing key-holder to control window aperture
- Suitable for an environment where user safety is a consideration
- Designed to minimise ligature risk
- Manufactured in stainless steel for durability
- Available keyed alike or master-keyed
- Secured with anti-tamper fixings
- As standard in satin stainless steel; available in other finishes including RAL painted coating to order

Window Lock

LIGATURE RESISTANT HIGHLINE WINDOW WINDER

SSS

Code: 1WW



- Provides a ligature-resistant housing for a highline window winder mechanism
- Fits over highline window winder without compromising function
- Suitable for any environment where user safety is a consideration; designed to minimise ligature risk
- Manufactured in stainless steel for durability and resistance to damage
- Secured with anti-tamper fixings
- As standard in satin stainless steel; other finishes available to order
- As standard sized at 400x25mm; available in custom lengths to order
- Suitable for use with other anti-ligature knobs on page 110

ANTI-LIGATURE WINDOW TRICKLE-VENT – 400 X 20MM

SSS RAL

Code: IWINTV



- Allows room ventilation where window opening is restricted or prohibited
- Suitable for any environment where user safety is a consideration; designed to minimise ligature risk
- Suitable for timber or uPVC window frames
- Manufactured in stainless steel with laminated plastic for durability
- Available in various finishes including RAL polyester powder coat painted
- As standard sized at 400x25mm; available in custom lengths to order

KEY CABINETS / DROP BOX SECURITY



CONTENTS:

KEY CABINETS

Range from 20 keys to 1170 keys 226-227

Red Deposit Keys Cabinets 226

SAFES

High Security Electronic 228

Hotel Digital 228

Economy Digital 228

Key Operated 228

Petty Cash Boxes 228

Digital Key Safe 229

CIGARETTE BINS

Floor Mounted 230

Wall Mounted 231

PARCEL DROP BOX

Wall and Floor Mounted 232-238

In Wall Fitted 237

Key Cabinets

100 KEY
Code: NS-S100

Key Lock
Standard security
550 x 380 x 80mm
Net Weight: 7.5kgs



150 KEY
Code: NS-S150

Key Lock
Standard security
550 x 380 x 140mm
Net Weight: 11.5kgs



200 KEY
Code: NS-S200

Key Lock
Standard security
550 x 380 x 140mm
Net Weight: 12.5kgs



300 KEY
Code: NS-S300

Key Lock
Standard security
550 x 380 x 205mm
Net Weight: 17kgs



400 KEY
Code: NS-S400B

Key Lock
Standard security
550 x 730 x 140mm
Net Weight: 22kgs



600 KEY
Code: NS-S600B

Key Lock
Standard security
550 x 730 x 205mm
Net Weight: 29kgs



1170 KEY
Code: NS-S1170

Key Lock
Standard security
1300 x 730 x 250mm
Net Weight: 60kgs



KEY TAGS
Code: NS-Tag

Plastic tag



Deposit Key Cabinets

RED KEY CABINET
Code: NS-S1011

100 x 100 x 40mm
Net Weight: 0.55kgs



RED KEY CABINET
Code: NS-S1021

110 x 110 x 50mm
Net Weight: 0.55kgs



RED KEY CABINET
Code: NS-S1022

110 x 110 x 50mm
Net Weight: 0.6kgs



Key Cabinets

20 KEY
Code: NS-S2020

Digital combination lock
High security
320 x 295 x 120mm
Net Weight: 15kgs



20 KEY
Code: NS-S0080

Key Lock
Standard security
200 x 160 x 80mm
Net Weight: 1.1kgs



24 KEY
Code: NS-S0077G

Combination Lock
Standard security
250 x 180 x 80mm
Net Weight: 1.4kgs



36 KEY
Code: NS-S0057G

Combination Lock
Standard security
300 x 240 x 80mm
Net Weight: 2.9kgs



42 KEY
Code: NS-S42

Key Lock
Standard security
350 x 270 x 80mm
Net Weight: 3.2kgs



45 KEY
Code: NS-S0050

Key Lock
Standard security
300 x 240 x 80mm
Net Weight: 2.1kgs



45 KEY
Code: NS-S48

Key Lock
Standard security
370 x 280 x 80mm
Net Weight: 2.9kgs



50 KEY
Code: NS-S2050

Digital Combination Lock
High security
400 x 340 x 120mm
Net Weight: 20.5kgs



60 KEY
Code: NS-S047G

Combination Lock
Standard security
370 x 280 x 80mm
Net Weight: 7.4kgs



64 KEY
Code: NS-S64

Key Lock
Standard security
450 x 300 x 80mm
Net Weight: 4.5kgs



93 KEY
Code: NS-S0060

Key Lock
Standard security
300 x 240 x 80mm
Net Weight: 2.9kgs



100 KEY
Code: NS-S2100

Digital Combination Lock
High security
400 x 550 x 120mm
Net Weight: 27kgs



Safes

PETTY CASH BOXES

Code: **NS.S011** 90x200x160mm
NS.S012 90x250x180mm
NS.S013 90x300x240mm

c/w two keys



COMPACT

Code: **NS.S021** 170x230x170mm
NS.S022 250x350x250mm
NS.S023 500x350x310mm

c/w two keys

RED

BLK



ECONOMY ELECTRONIC LOCK

Code: **NS.S031** 200x310x200mm
NS.S032 229x405x335mm
NS.S033 250x350x250mm
NS.S034 300x380x300mm
NS.S035 500x350x310mm

GR



HOTEL & LAPTOP ELECTRONIC LOCK WITH AN OVER-RIDE KEY SYSTEM

Code: **NS.S041** 230x430x360mm
NS.S042 200x520x406mm

BLK



CASH DEPOSITS HIGH SECURITY ELECTRONIC LOCK

Code: **NS.S051** 480x340x381mm
NS.S052 698x340x381mm
NS.S053 760x508x508mm



Wall Mounted High Security Key Safe



- High Security Wall mounted Key Safe
- Body Composition : 0.8mm steel construction
- Body Size : 145x100x57mm
- Net Weight : 0.85kgs
- 3 Digit tumbler combination lock
- Durable external usage
- Ideal for unmanned site access
- Ideal for communal access
- Suitable for up to 3 keys

Cigarette Bin

Code: GCB 014



CONSTRUCTION:

Floor mounted cigarette bin
powder coated black
Size: 200 x 1000 x 200mm
(width, height, depth)
Part Number: GCB 014
Simple convenient solution for
cigarette ends
Lockable
Exterior quality/weatherproof
Free Standing

Code: GCB 015



CONSTRUCTION:

Floor mounted cigarette bin grade
304 Brushed (Satin) Stainless
Steel
Size: 200 x 1000 x 200mm
(width, height, depth)
Part Number: GCB 015
Simple convenient solution for
cigarette ends
Lockable
Exterior quality/weatherproof
Free Standing

Bathroom, Cloak & Glass Fittings Ash Trays and Cigarette Bins

BARBY™

CIGARETTE BIN

Code: CB.001

265 x 110 x 280mm

SSS



CIGARETTE BIN

Code: CB.006

240 x 90 x 380mm

SSS



P1 Parcel Drop Box



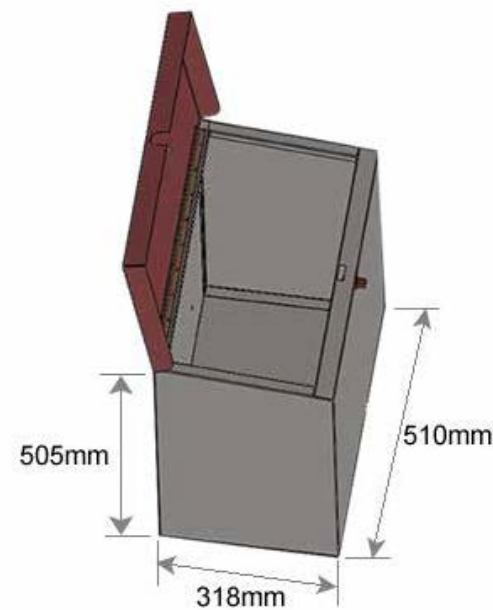
CONSTRUCTION:

Material: Galvanized steel with powder coating
 Body Thickness: 1.5mm
 Door Thickness: 2mm
 Weight: 12.35kg
 Size: W510 x D318 x H505mm
 Maximum parcel size: W450 x D200 x H380mm

HOW IT WORKS:

The P1 Parcel Box has a large top opening lid and a push locking mechanism on the box. The top opening lid is left closed but unlocked until your parcel is placed in it. The delivery person opens the lid, scans the barcode on the lid, then activates the lock by simply pushing in the thumb push lock on the top of the parcel box. As the unit is bolted to the ground or wall your parcel is now secure and dry. You can then simply unlock your parcel box when you return home.

DIMENSIONAL DRAWING:



PARCEL-DROP-BOX KEY POINTS:

- Simple installation guide, which allows fitting on to a wall or floor
- Weather proof
- A complete solution for all your home deliveries
- No more waiting in for a delivery
- Available in a choice of 4 colours (red, green, grey, black) Solid and durable metal construction
- No more pet attacks on your mail
- Parcel no longer left on the doorstep
- No longer large mail stuck out your mail box
- No codes required
- Most insurers would class the drop box as an outbuilding, there for parcels deposited into the drop box would normally be covered by your home insurance (please check first with your insurance company)

P2 Parcel Drop Box



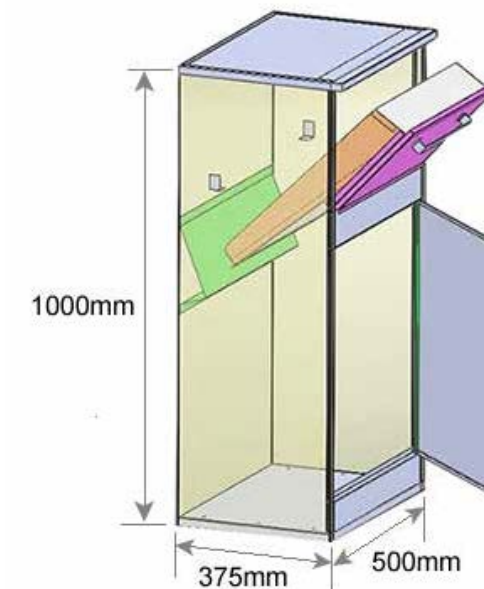
CONSTRUCTION:

Material: Galvanized steel with powder coating
 Body Thickness: 1.5mm
 Door Thickness: 2mm
 Weight: 33.46kgs
 Size: W500 x D375 x H1000mm
 Maximum parcel size: W410 x D210 x H300mm

HOW IT WORKS:

The delivery driver posts the mail through the front facing parcel flap of the (parcel drop box) the parcel gently drops through to the secure lower level, the driver then scans the barcode on the inside of the box as proof of delivery. On your arrival home simply open the front of the box with your key to retrieve your parcels. A secure effective home delivery parcel box solution that works. The parcel Drop box is made from galvanised steel and is screwed to the floor. This secure parcel box features an anti-theft flap to prevent fishing and a secure cylinder lock to keep your parcels secure.

DIMENSIONAL DRAWING:



PARCEL-DROP-BOX KEY POINTS:

- Simple installation guide, which allows fitting on to a wall or floor
- Weather proof
- A complete solution for all your home deliveries
- No more waiting in for a delivery
- Choice of 3 colours
- Accepts multi deliveries
- Solid and durable metal construction
- No more pet attacks on your mail
- Parcel no longer left on the doorstep
- No longer large mail stuck out your mail box
- No codes required
- Most insurers would class the drop box as an outbuilding, there for parcels deposited into the drop box would normally be covered by your home insurance (please check first with your insurance company)

P3 Parcel Drop Box

BLK



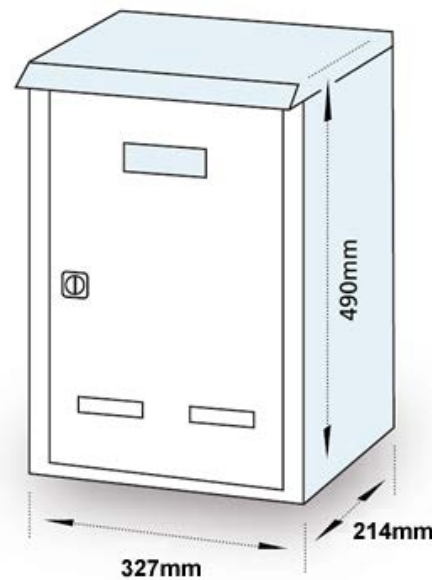
CONSTRUCTION:

Material: Galvanized steel with powder coating
 Body Thickness: 1.2mm
 Weight: 7.92kgs
 Size: W327 x D214 x H490mm
 Maximum parcel size: W260 x D70 x H130mm

HOW IT WORKS:

The P3 Parcel Drop Box allows for multiple deliveries, unlike others on the market, thanks to its unique cantilevered anti-theft mechanism. Lift the rain lid, and parcels can be partly deposited; close the lid, and the parcel drops safely into the mailbox. With a three point high security lock, your mail and parcels will be safe.

DIMENSIONAL DRAWING:



PARCEL-DROP-BOX KEY POINTS:

- This secure parcel box features an anti-theft device to prevent fishing
- Simple installation guide, which allows fitting on to a wall or floor
- Weather proof
- A complete solution for all your home deliveries
- No more waiting in for a delivery
- Available in Cast Iron Grey only
- Accepts multi deliveries
- Solid and durable metal construction
- No more pet attacks on your mail
- Parcel no longer left on the doorstep
- No longer large mail stuck out your mail box
- No codes required
- Most insurers would class the drop box as an outbuilding, there for parcels deposited into the drop box would normally be covered by your home insurance (please check first with your insurance company)

P4 Parcel Drop Box

BLK



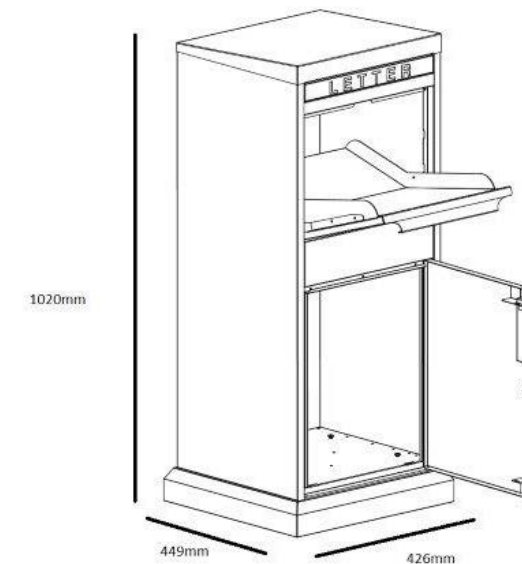
CONSTRUCTION:

Material – Body and Door: galvanized steel with powder coating
 Body Thickness: 1.0mm
 Material – Letter Plate: stainless steel
 Colour – Letter Plate: satin finish
 Colour – Other Areas: black
 Weight: 28.5kgs
 Size: W449 x D426 x H1020mm
 Maximum Parcel Size: W300 x D200 x H270mm

PARCEL-DROP-BOX KEY POINTS:

- This secure parcel box features an anti-theft device to prevent fishing
- Simple installation guide, which allows fitting on to a wall or floor
- Weather proof
- A complete solution for all your home deliveries
- No more waiting in for a delivery
- Accepts multi deliveries
- Solid and durable metal construction
- No more pet attacks on your mail
- Parcel no longer left on the doorstep
- No longer large mail stuck out your mail box
- Large space for parcels
- A complete solution for all your home deliveries
- Personal barcodes
- Anti-fishing flap
- 3 point locking system
- Satin finish door & flap
- (add house number)
- Magnetic door holder
- Letter logo engraved
- Most insurers would class the drop box as an outbuilding, there for parcels deposited into the drop box would normally be covered by your home insurance (please check first with your insurance company)

DIMENSIONAL DRAWING:



P9 Parcel Drop Box

BLK EN



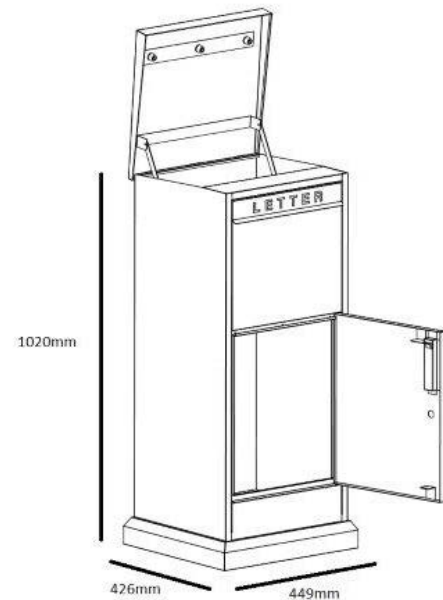
CONSTRUCTION:

Material – Body and Door: galvanized steel with powder coating
 Body Thickness: 1.0mm
 Material – Letter Plate: stainless steel
 Colour – Letter Plate: satin finish
 Colour – Other Areas: black
 Weight: 28.5kgs
 Size: W449 x D426 x H1020mm
 Maximum Parcel Size: W300 x D200 x H270mm

PARCEL-DROP-BOX KEY POINTS:

- This secure parcel box features an anti-theft device to prevent fishing
- Simple installation guide, which allows fitting on to a wall or floor
- Weather proof
- A complete solution for all your home deliveries
- No more waiting in for a delivery
- Accepts multi deliveries
- Solid and durable metal construction
- No more pet attacks on your mail
- Parcel no longer left on the doorstep
- No longer large mail stuck out your mail box
- Large space for parcels
- A complete solution for all your home deliveries
- Personal barcodes
- Anti-fishing flap
- 3 point locking system
- Satin finish door & flap
- (add house number)
- Magnetic door holder
- Letter logo engraved
- No codes required
- Most insurers would class the drop box as an outbuilding, there for parcels deposited into the drop box would normally be covered by your home insurance (please check first with your insurance company)

DIMENSIONAL DRAWING:



P11 Parcel Drop Box

BLK EN



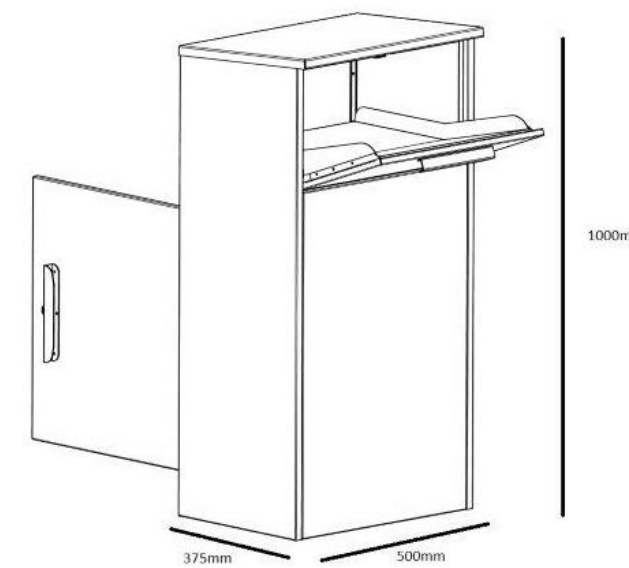
CONSTRUCTION:

Material: galvanized steel with powder coating
 Body Thickness: 1.5mm
 Door Thickness: 2mm
 Weight: 33.46kgs
 Size: W500 x D375 x H1000mm
 Maximum Parcel Size: W400 x D180 x H260mm

HOW IT WORKS:

The delivery driver posts the mail through the front facing parcel flap of the (parcel drop box) the parcel gently drops through to the secure lower level, the driver then scans the barcode on the inside of the box as proof of delivery. On your arrival home simply open the back of the box with your key to retrieve your parcels. A secure effective home delivery parcel box solution that works. The parcel Drop box is made from galvanised steel and is screwed to the floor. This secure parcel box features an anti-theft flap to prevent fishing and a secure cylinder lock to keep your parcels secure.

DIMENSIONAL DRAWING:



PARCEL-DROP-BOX KEY POINTS:

- Simple installation guide, which allows fitting on to a wall or floor
- Weather proof
- A complete solution for all your home deliveries
- No more waiting in for a delivery
- Choice of 2 colours
- Accepts multi deliveries
- Solid and durable metal construction
- No more pet attacks on your mail
- Parcel no longer left on the doorstep
- No longer large mail stuck out your mail box
- No codes required
- Most insurers would class the drop box as an outbuilding, there for parcels deposited into the drop box would normally be covered by your home insurance (please check first with your insurance company)

P12 Parcel Drop Box



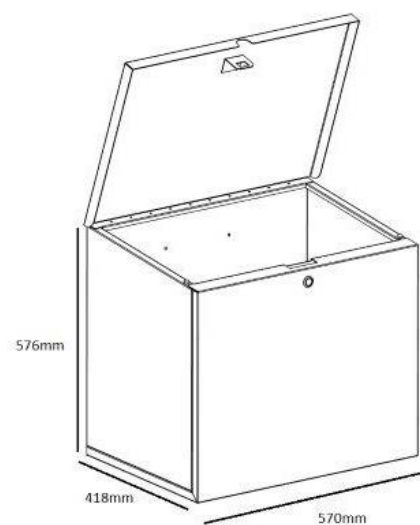
CONSTRUCTION:

Material: galvanized steel with powder coating
 Body Thickness: 1.5mm
 Door Thickness: 2mm
 Weight: 17.35kg
 Size: W570 x D418 x H576mm
 Maximum Parcel Size: W500 x D300 x H420mm

HOW IT WORKS:

The P12 Parcel Box has a large top opening lid and a push locking mechanism on the box. The top opening lid is left closed but unlocked until your parcel is placed in it. The delivery person opens the lid, scans the barcode on the lid, then activates the lock by simply pushing in the thumb push lock on the top of the parcel box. As the unit is bolted to the ground or wall your parcel is now secure and dry. You can then simply unlock your parcel box when you return home.

DIMENSIONAL DRAWING:



PARCEL-DROP-BOX KEY POINTS:

- Simple installation guide, which allows fitting on to a wall or floor
- Weather proof
- A complete solution for all your home deliveries
- No more waiting in for a delivery
- Available in a choice of 3 colours (green, grey, black)
- Solid and durable metal construction
- No more pet attacks on your mail
- Parcel no longer left on the doorstep
- No longer large mail stuck out your mail box
- No codes required
- Most insurers would class the drop box as an outbuilding, there for parcels deposited into the drop box would normally be covered by your home insurance (please check first with your insurance company)

CYLINDERS



CONTENTS:

CYLINDER RANGE INDEX

5 PIN ECONOMY	
Profile – Single, Doubles, Cylinder and Turn	244-245
UK Oval- Single, Doubles, Cylinder and Turn	245-246
Rim	247
Components to suit	247
5 PIN ARCHITECTURAL	
Profile – Single, Doubles, Cylinder and Turn	248-250
UK Oval- Single, Doubles, Cylinder and Turn	250-251
Rim	252

Threaded Rim	252	Profile – Single, Doubles, Cylinder and Turn	258-259
Profile – Bathroom Release and Thumbturn	253	UK Oval- Single, Doubles, Cylinder and Turn	260
Profile – Thumbturn Only	253	Scandinavian Oval – Single, Doubles	261
Construction Key Budget Cylinder insert	254	Rim	262
Components to suit	254	Components to suit	262
6 PIN CYLINDERS BS KITEMARKED		15 PIN PATENTED CYLINDERS	
Profile – Single, Doubles, Cylinder and Turn	255-256	Profile – Single, Doubles, Cylinder and Turn	264-265
Rim	256	Rim	265
Threaded Rim	256	Components to suit	266
Components to suit	256	KEY BLANKS	267
10 PIN CYLINDERS RESTRICTED KEY		GENERAL COMPONENTS	
			268-269

Selecting the Correct Cylinder



Standard Security

CYE 5 PIN

5 Pin Economy cylinders in NP or SB finishes for applications where low cost is important. Available in KTD options only.



Standard Security

CYA 5 PIN

5 Pin Architectural cylinders in PB, PC and SC finishes for applications that require an architectural finish and the ability to key to customers specific requirements. KTD, KA or UMK options available.



High Security

CYX 6 PIN

6 Pin British Standard Kitemarked cylinders in PB, PC and SC finishes for applications that require high cylinder security and ease of key duplication. KTD, KA or UMK options available.



High Security

CYH 10 PIN

10 Pin cylinders with restricted keys for applications that require higher key security. Available in PB, PC and SC finishes with keying options KTD, KA and UMK. Classroom cylinders and construction key facility available with this range.



Maximum Security

CYP 15 PIN

15 Pin Patented cylinders with patented keys for applications that require the highest level of key and cylinder security. Additional keys can only be duplicated on production of owners security card. Available in PB, PC and SC finishes with keying options KTD, KA and UMK. Construction key facility available with this range.



Considerations when designing Master Keying Systems



How secure does the system need to be?

Consider the security of the cylinder and key:

Cylinder Security

Maximum	We recommend MP15 range
High	We recommend MP10 or MPx6 ranges
Standard	We recommend MP5 range

Key Security

Maximum	We recommend MP15 range
High	We recommend MP10 range
Standard	We recommend MP5 or MPx6 ranges

How large and complex might the master keyed system need to be?

Up to 10,000 Doors	We recommend MP15 range
Up to 2,000 Doors	We recommend MP10 range
Up to 1,000 Doors	We recommend MPx6 range
Up to 400 Doors	We recommend MP5 range

What type of cylinders are needed for the master keyed system and are any special functions required?

Does the system need classroom function or construction keying?

Please see relevant information for cylinder types available at each section.

A full range of architectural thumb turns are available for all Eurospec master keyed systems. Please see P268 for options.

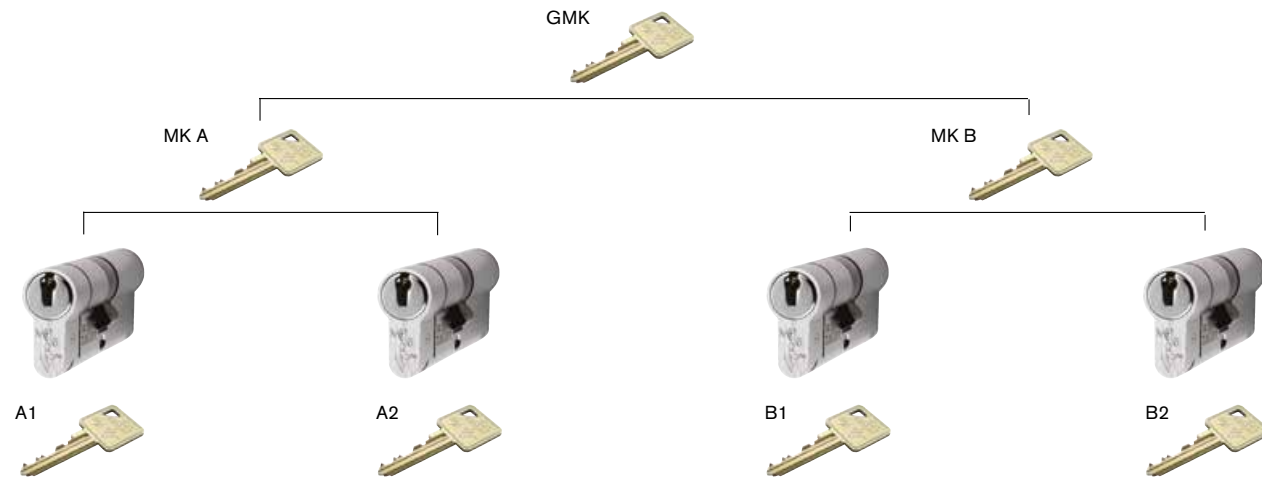


Considerations when designing Master Keying Systems



There are 2 main ways to design or create master keyed systems:

HIERARCHY METHOD: A master key opens only own group of cylinders and a grand master key opens all cylinders.



X CHART OR PLANNING METHOD:



Distributor
 Client Name:
 Contact Name:
 Address 1:
 Address 2:
 Address 3:
 City:
 Country:
 Phone:
 Email:

Project
 Site Description:
 Contact Name:
 Address 1:
 Address 2:
 Address 3:
 City:
 Country:
 Phone:
 Email:

Keys	Key No	Description	Key Above	No							
				1	2	3	4	5	6	7	
	GMK	Grand Master Key									
	MK A	Master Key A									
	A1	Key A1									
	A2	Key A2									
	MK B	Master Key B									
	B1	Key B1									
	B2	Key B2									

Doors						Keys							
No	Door No	Stamping	Description	Area	Lock	Qty	3	3	3	3	3	3	3
1	D001	A1	Office Door	Area A	Cylinder/Turn	1	X	X	X				
2	D002	A2	Office Door	Area A	Cylinder/Turn	1	X	X		X			
3	D003	B1	Office Door	Area B	Cylinder/Turn	1	X				X	X	
4	D004	B2	Office Door	Area B	Cylinder/Turn	1	X				X		X

Always remember the first rule of master keying – KEEP IT SIMPLE!

5 Pin Economy or 5 Pin Architectural?

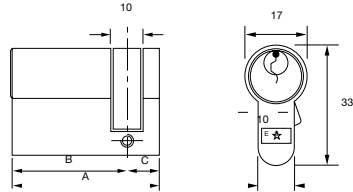


	Economy	Architectural
3 keys per cylinder	Yes	Yes
Open section keys	Yes	Yes
Brass keys (nickel plated)	Yes	Yes
SB or NP finish	Yes	No
PB, PC or SC finish	No	Yes
Euro profile	Yes	Yes
UK oval profile	Yes	Yes
Standard rim cylinder	Yes	Yes
Threaded rim cylinder	No	Yes
Padlock	No	Yes
KTD (keyed to differ)	Yes	Yes
KA (keyed alike)	No	Yes
UMK (under master key)	No	Yes
Unique master keying	No	Yes
BS EN 1303 grade 3	No	Yes
Anti-pick	No	Yes
Other cylinder sizes available to special order	Yes	Yes

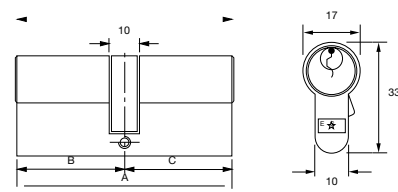
MP5 Economy 5 Pin Cylinders



EURO SINGLE CYLINDER



EURO DOUBLE CYLINDER



KTD - EURO SINGLE CYLINDER

CYE71140	A: 40mm	B: 30mm	C: 10mm
CYE71145	A: 45mm	B: 35mm	C: 10mm

KTD - EURO DOUBLE CYLINDER

CYE71260	A: 60mm	B: 30mm	C: 30mm
CYE71270	A: 70mm	B: 35mm	C: 35mm
CYE71280	A: 80mm	B: 40mm	C: 40mm
CYE71290	A: 90mm	B: 45mm	C: 45mm
CYE712100	A: 100mm	B: 50mm	C: 50mm

KTD - OFFSET EURO DOUBLE CYLINDER

CYE7123035	A: 65mm	B: 30mm	C: 35mm
CYE7123040	A: 70mm	B: 30mm	C: 40mm
CYE7123050	A: 80mm	B: 30mm	C: 50mm
CYE7123540	A: 75mm	B: 35mm	C: 40mm
CYE7123545	A: 80mm	B: 35mm	C: 45mm
CYE7123550	A: 85mm	B: 35mm	C: 50mm
CYE7124045	A: 85mm	B: 40mm	C: 45mm
CYE7124050	A: 90mm	B: 40mm	C: 50mm
CYE7124055	A: 95mm	B: 40mm	C: 55mm
CYE7124060	A: 100mm	B: 40mm	C: 60mm
CYE7124550	A: 95mm	B: 45mm	C: 50mm
CYE7124555	A: 100mm	B: 45mm	C: 55mm

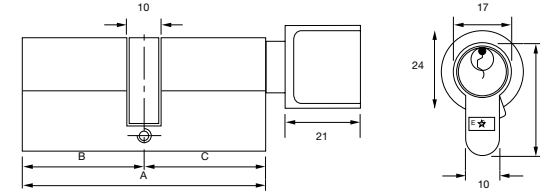
	✓		✓		✗		✓
	✓		✗		✗		✗

	✓		✓		✗		✓
	✓		✗		✗		✗

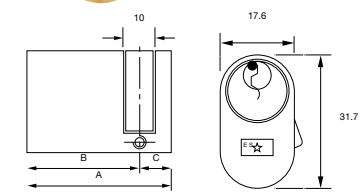
MP5 Economy 5 Pin Cylinders



EURO CYLINDER & TURN



OVAL SINGLE CYLINDER



KTD - EURO CYLINDER & TURN

CYE71360	A: 60mm	B: 30mm	C: 30mm
CYE71370	A: 70mm	B: 35mm	C: 35mm
CYE71380	A: 80mm	B: 40mm	C: 40mm
CYE71390	A: 90mm	B: 45mm	C: 45mm

KTD - OVAL SINGLE CYLINDER

CYE71240	A: 40mm	B: 30mm	C: 10mm
CYE71245	A: 45mm	B: 35mm	C: 10mm

KTD - OFFSET EURO CYLINDER & TURN

CYE7133040	A: 70mm	B: 30mm	C: 40mm
CYE7133540	A: 75mm	B: 35mm	C: 40mm
CYE7133555	A: 90mm	B: 35mm	C: 55mm
CYE7134030	A: 70mm	B: 40mm	C: 30mm
CYE7134035	A: 75mm	B: 40mm	C: 35mm
CYE7134050	A: 90mm	B: 40mm	C: 50mm
CYE7134060	A: 100mm	B: 40mm	C: 60mm
CYE7134555	A: 100mm	B: 45mm	C: 55mm
CYE7135040	A: 90mm	B: 50mm	C: 40mm
CYE7135535	A: 90mm	B: 55mm	C: 35mm
CYE7135545	A: 100mm	B: 55mm	C: 45mm
CYE7136040	A: 100mm	B: 60mm	C: 40mm

Please note - Offset range is NOT available in SB

	✓		✓		✗		✓
	✓		✗		✗		✗

	✓		✓		✗		✓
	✓		✗		✗		✗

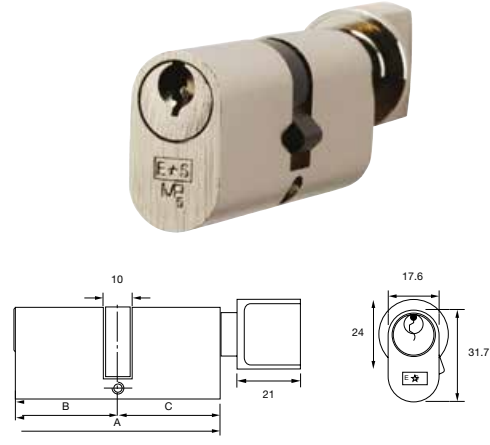
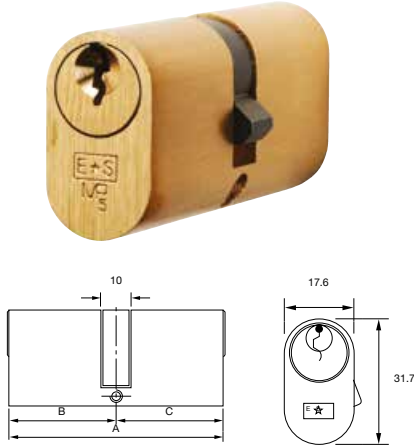
MP5 Economy 5 Pin Cylinders



OVAL DOUBLE CYLINDER



OVAL CYLINDER & TURN



KTD - OVAL DOUBLE CYLINDER

KTD - OVAL CYLINDER & TURN

CYE72260	A: 60mm	B: 30mm	C: 30mm
CYE72270	A: 70mm	B: 35mm	C: 35mm

CYE72360	A: 60mm	B: 30mm	C: 30mm
CYE72370	A: 70mm	B: 35mm	C: 35mm

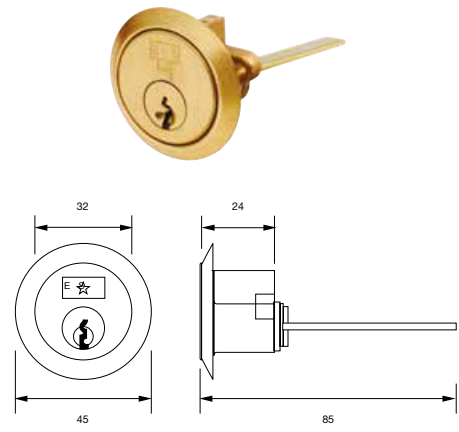
MP5 Economy 5 Pin Cylinders



STANDARD RIM CYLINDER



For additional key codes and accessories please see pages 267 to 269



KTD - EURO CYLINDER & TURN

CYE73520 Rim Cylinder



	✓		✓		✗		✓
	✓		✗		✗		✗



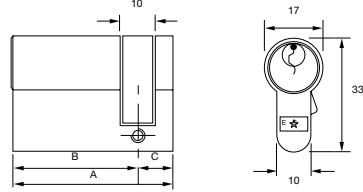
	✓		✓		✗		✓
	✓		✗		✗		✗

	✓		✓		✗		✓
	✓		✗		✗		✗

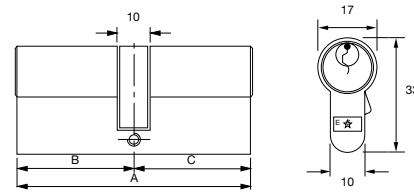
MP5 Architectural 5 Pin Cylinders



EURO SINGLE CYLINDER



EURO DOUBLE CYLINDER



KTD - EURO SINGLE CYLINDER

	KA			UMK	
CYA71140	A: 40mm	B: 30mm	C: 10mm	CYB74140	CYB77140
CYA71145	A: 45mm	B: 35mm	C: 10mm	CYB74145	CYB77145
CYA71150	A: 50mm	B: 40mm	C: 10mm	CYB74150	CYB77150

KTD - EURO DOUBLE CYLINDER

	KA			UMK	
CYA71260	A: 60mm	B: 30mm	C: 30mm	CYB74260	CYB77260
CYA71270	A: 70mm	B: 35mm	C: 35mm	CYB74270	CYB77270
CYA71280	A: 80mm	B: 40mm	C: 40mm	CYB74280	CYB77280
CYA71290	A: 90mm	B: 45mm	C: 45mm	CYB74290	CYB77290
CYA712100	A: 100mm	B: 50mm	C: 50mm	CYB742100	CYB772100
CYA712110	A: 110mm	B: 55mm	C: 55mm	CYB742110	CYB772110

KTD - OFFSET EURO DOUBLE CYLINDER

	KA			UMK	
CYA7123040	A: 70mm	B: 30mm	C: 40mm	CYB7423040	CYB7723040
CYA7123050	A: 80mm	B: 30mm	C: 50mm	CYB7423050	CYB7723050
CYA7123540	A: 75mm	B: 35mm	C: 40mm	CYB7423540	CYB7723540
CYA7123545	A: 80mm	B: 35mm	C: 45mm	CYB7423545	CYB7723545
CYA7123550	A: 85mm	B: 35mm	C: 50mm	CYB7423550	CYB7723550
CYA7124050	A: 90mm	B: 40mm	C: 50mm	CYB7424050	CYB7724050
CYA7124060	A: 100mm	B: 40mm	C: 60mm	CYB7424060	CYB7724060
CYA7124550	A: 95mm	B: 45mm	C: 50mm	CYB7424550	CYB7724550

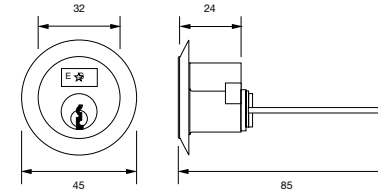
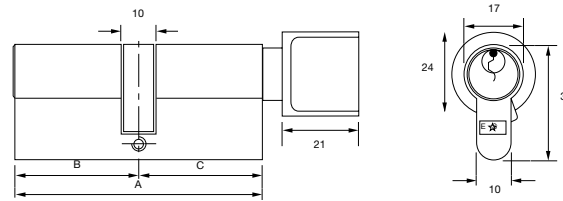
	✓		✓		✗		✓
	✓		✗		✗		✗

	✓		✓		✗		✓
	✓		✗		✗		✗

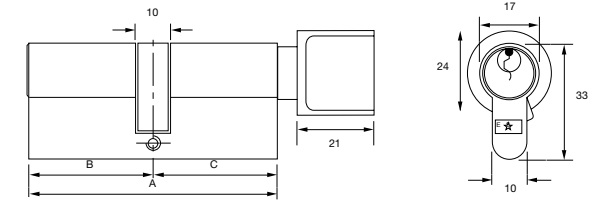
MP5 Architectural 5 Pin Cylinders



RIM CYLINDER & EURO CYLINDER/TURN (SET)



EURO CYLINDER & TURN (PAIR)



KTD - RIM CYLINDER & EURO CYLINDER/TURN (SET)

CYA1370/73520	A: 70mm	B: 35mm	C: 35mm
---------------	---------	---------	---------

KTD - EURO CYLINDER & TURN (PAIR)

CYA1370/2	A: 70mm	B: 35mm	C: 35mm
-----------	---------	---------	---------

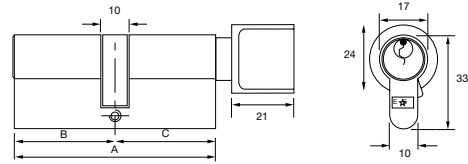
	✓		✓		✗		✓
	✓		✗		✗		✗

	✓		✓		✗		✓
	✓		✗		✗		✗

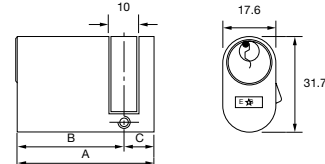
MP5 Architectural 5 Pin Cylinders



EURO CYLINDER & TURN



OVAL SINGLE CYLINDER



KTD - EURO CYLINDER & TURN

KTD - EURO DOUBLE CYLINDER

				KA	UMK
CYA71360	A: 60mm	B: 30mm	C: 30mm	CYB74360	CYB77360
CYA71370	A: 70mm	B: 35mm	C: 35mm	CYB74370	CYB77370
CYA71380	A: 80mm	B: 40mm	C: 40mm	CYB74380	CYB77380
CYA71390	A: 90mm	B: 45mm	C: 45mm	CYB74390	CYB77390
CYA713100	A: 100mm	B: 50mm	C: 50mm	CYB743100	CYB773100

				KA	UMK
CYA72140	A: 40mm	B: 30mm	C: 10mm	CYB75140	CYB78140
CYA72145	A: 45mm	B: 35mm	C: 10mm	CYB75145	CYB78145
CYA72150	A: 50mm	B: 40mm	C: 10mm	CYB75150	CYB78150

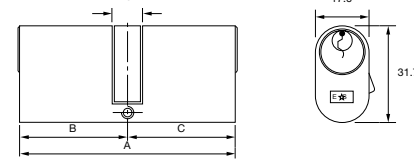
KTD - OFFSET EURO CYLINDER & TURN

				KA	UMK
CYA7133040	A: 70mm	B: 30mm	C: 40mm	CYB7433040	CYB7733040
CYA7134030	A: 70mm	B: 40mm	C: 30mm	CYB7434030	CYB7734030
CYA7133545	A: 80mm	B: 35mm	C: 45mm	CYB7433545	CYB7733545
CYA7134535	A: 80mm	B: 45mm	C: 35mm	CYB7434535	CYB7734535
CYA7134060	A: 100mm	B: 40mm	C: 60mm	CYB7434060	CYB7734060
CYA7136040	A: 100mm	B: 60mm	C: 40mm	CYB7436040	CYB7736040

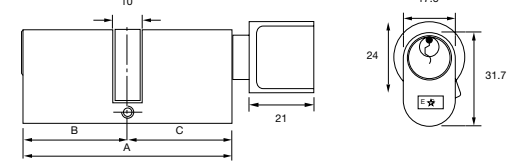
MP5 Architectural 5 Pin Cylinders



OVAL DOUBLE CYLINDER



OVAL CYLINDER & TURN



KTD - OVAL DOUBLE CYLINDER

KTD - OVAL CYLINDER & TURN

				KA	UMK
CYA72260	A: 60mm	B: 30mm	C: 30mm	CYB75260	CYB78260
CYA72270	A: 70mm	B: 35mm	C: 35mm	CYB75270	CYB78270
CYA72280	A: 80mm	B: 40mm	C: 40mm	CYB75280	CYB78280

				KA	UMK
CYA72360	A: 60mm	B: 30mm	C: 30mm	CYB75360	CYB78360
CYA72370	A: 70mm	B: 35mm	C: 35mm	CYB75370	CYB78370
CYA72380	A: 80mm	B: 40mm	C: 40mm	CYB75380	CYB78380

	✓		✓		✗		✓
	✓		✗		✗		✗

	✓		✓		✗		✓
	✓		✗		✗		✗

	✓		✓		✗		✓
	✓		✗		✗		✗

	✓		✓		✗		✓
	✓		✗		✗		✗

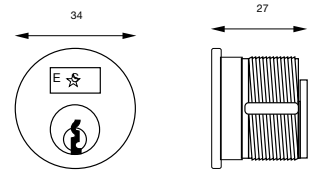
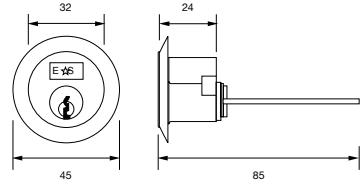
MP5 Architectural 5 Pin Cylinders



STANDARD RIM CYLINDER



THREADED RIM CYLINDER



CYA73520 Rim Cylinder

KA	UMK
CYB76520	CYB79520

CYA73620 Threaded Rim Cylinder

KA	UMK
CYB76620	CYB79620
CYA73620/2 Threaded Rim Cylinder (Pair)	N/A N/A

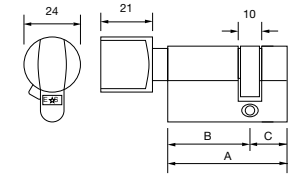
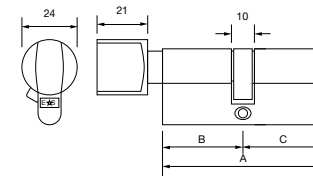
Special Cylinders



EURO BATHROOM CYLINDER & TURN



EURO SINGLE THUMBTURN ONLY



CYA70470 A: 70mm B: 35mm C: 35mm

CYA70445 A: 45mm B: 35mm C: 10mm

	✓		✓		✗		✓
	✓		✗		✗		✗

	✓		✓		✗		✓
	✓		✗		✗		✗

	✓		✓		✗		✓
	✓		✗		✗		✗

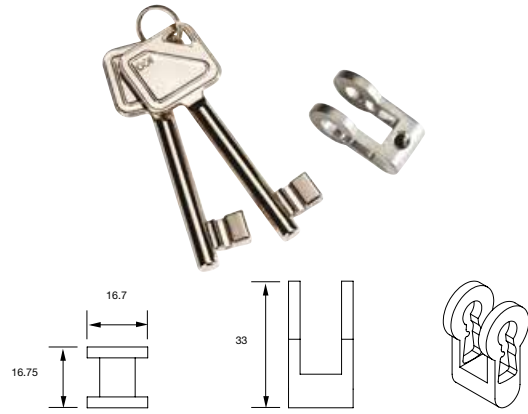
	✓		✓		✗		✓
	✓		✗		✗		✗

Special Cylinders



CONSTRUCTION KEY MECHANISM LEVER INSERT FOR EURO CYLINDER LOCK

For additional key codes and accessories please see pages 266 – 267



LEVER INSERT FOR EURO CYLINDER LOCK C/W 2 KEYS

AEIL5000 Insert for euro profile mortice lock cases c/w 2 mortice keys



	✓		✓		✗		✓
	✓		✗		✗		✗

	✓		✓		✗		✓
	✓		✗		✗		✗

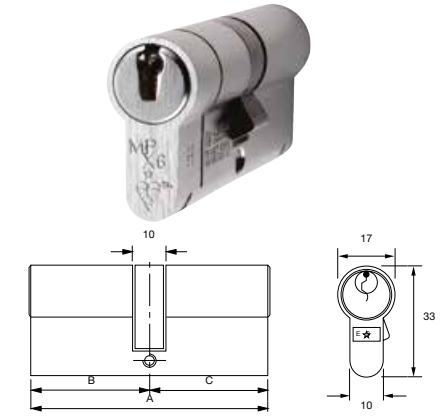
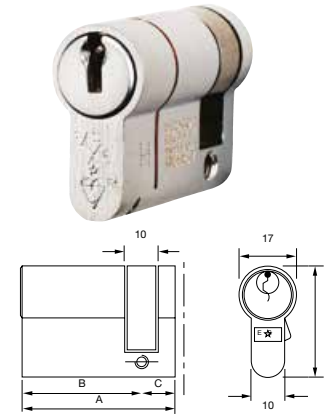
MPx6 BS Kitemarked 6 Pin Cylinders



EURO SINGLE CYLINDER



EURO DOUBLE CYLINDER



KTD - EURO SINGLE CYLINDER

				KA	UMK
CYX71146	A: 46mm	B: 36mm	C: 10mm	CYF74146	CYF77146
CYX71150	A: 50mm	B: 40mm	C: 10mm	CYF74150	CYF77150

KTD - EURO DOUBLE CYLINDER

				KA	UMK
CYX71270	A: 70mm	B: 35mm	C: 35mm	CYF74270	CYF77270
CYX71280	A: 80mm	B: 40mm	C: 40mm	CYF74280	CYF77280
CYX71290	A: 90mm	B: 45mm	C: 45mm	CYF74290	CYF77290
CYX712100	A: 100mm	B: 50mm	C: 50mm	CYF742100	CYF772100
CYX712110	A: 110mm	B: 55mm	C: 55mm	CYF742110	CYF772110

KTD - OFFSET EURO DOUBLE CYLINDER

				KA	UMK
CYX7123540	A: 75mm	B: 35mm	C: 40mm	CYF7423540	CYF7723540
CYX7123545	A: 80mm	B: 35mm	C: 45mm	CYF7423545	CYF7723545
CYX7123550	A: 85mm	B: 35mm	C: 50mm	CYF7423550	CYF7723550
CYX7124050	A: 90mm	B: 40mm	C: 50mm	CYF7424050	CYF7724050
CYX7124060	A: 100mm	B: 40mm	C: 60mm	CYF7424060	CYF7724060
CYX7124550	A: 95mm	B: 45mm	C: 50mm	CYF7424550	CYF7724550

	✓		✓		✗
	✓		✓		✓
	✓		✓		✓

	✓		✓		✗
	✓		✓		✓
	✓		✓		✓

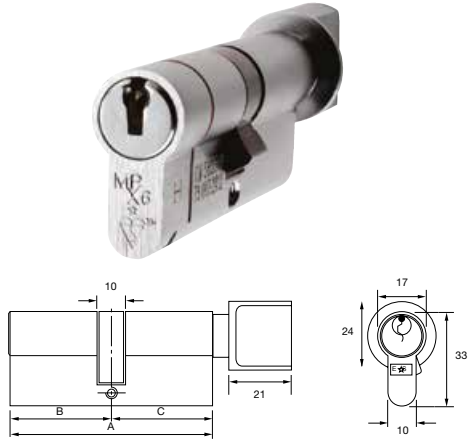
MPx6 BS Kitemarked 6 Pin Cylinders



EURO CYLINDER & TURN



SECURITY CARDS FOR MK SUITES



KTD - EURO CYLINDER & TURN

	KA	UMK
CYX71370	A: 70mm B: 35mm C: 35mm	CYF74370 CYF77370
CYX71380	A: 80mm B: 40mm C: 40mm	CYF74380 CYF77380
CYX71390	A: 90mm B: 45mm C: 45mm	CYF74390 CYF77390
CYX713100	A: 100mm B: 50mm C: 50mm	CYF743100 CYF773100

KTD - OFFSET EURO CYLINDER & TURN

	KA	UMK
CYX7133545	A: 80mm B: 35mm C: 45mm	CYF7433545 CYF7733545
CYX7134060	A: 100mm B: 40mm C: 60mm	CYF7434060 CYF7734060
CYX7134535	A: 80mm B: 45mm C: 35mm	CYF7434535 CYF7734535
CYX7136040	A: 100mm B: 60mm C: 40mm	CYF7436040 CYF7736040

SUPPLIED WITH ALL NEW MK SUITES

Distributor
This security card is retained by the distributor and a copy of this card must be produced to Eurospec with any orders for additional keys or cylinders. The distributor card contains either the key number or master key system reference number.

Owner
This security card is retained by the owner of the cylinder or master key system and must be produced to the distributor with any orders for additional keys or cylinders. The owner card contains either the key number or master key system reference number in addition to all distributor details.

For additional key codes and accessories please see pages 266 - 267



Non-Kitemarked standard and threaded rim cylinders also available under MPx6 range



KTD - EURO DOUBLE CYLINDER

	KA	UMK
CYX73524	Rim Cylinder	CYF76524 CYF79524
CYX73624	Threaded Rim Cylinder	CYF76624 CYF79624SC

MP10 Restricted 10 Pin Cylinders



Cylinders

- BS EN 1303 cylinder security grade 2*
- Anti - pick
- Anti - bump
- Anti - drill
- PB, PC, or SC finish
- Euro profile
- UK oval profile
- Scandinavian oval profile
- Universal rim cylinder
- Padlock
- Keyed to differ (KTD)
- Keyed alike (KA)
- Under master key (UMK)
- Construction key capabilities (CK)
- The construction key is used during installation, the user key is used to re-code the cylinder and automatically exclude the construction key
- Other cylinder sizes available to special order



Keys

- Hard wearing nickel silver keys
- Extensive master keying capabilities (systems up to 2,000 doors)
- Restricted key profile only available through approved distributors
- Extended neck for use with security escutcheons
- Over 200 possible key profiles totalling more than 2 million key differs
- Specially designed unique keyway
- 6 main top cuts
- 4 special side pin cuts
- 3 keys supplied with each cylinder
- BS EN 1303 key security - grade 6 (maximum grade)



* When used in conjunction with AEB5000 security escutcheon

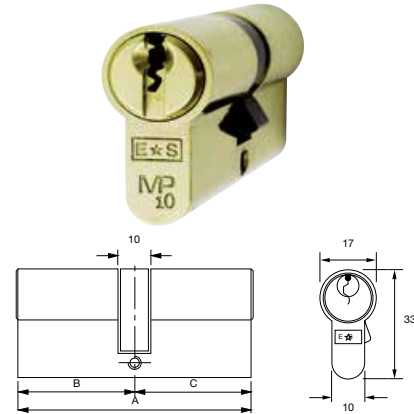
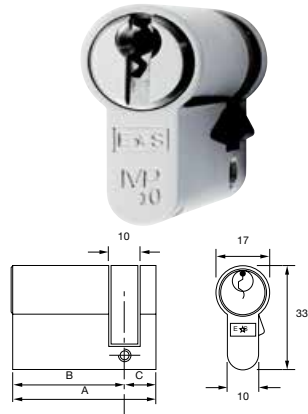
MP10 Restricted 10 Pin Cylinders



EURO SINGLE CYLINDER



EURO DOUBLE CYLINDER



KTD - EURO SINGLE CYLINDER

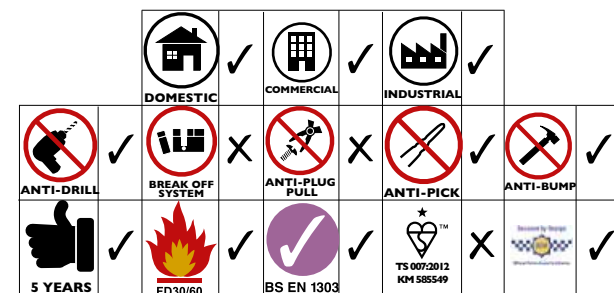
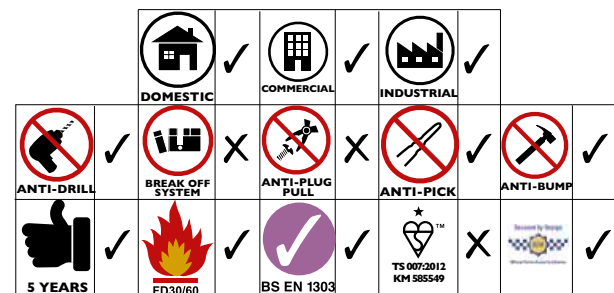
	KA			UMK	
CYH71142	A: 42mm	B: 32mm	C: 10mm	CYG74142	CYG77142
CYH71146	A: 46mm	B: 36mm	C: 10mm	CYG74146	CYG77146
CYH71150	A: 50mm	B: 40mm	C: 10mm	CYG74150	CYG77150

KTD - EURO DOUBLE CYLINDER

	KA			UMK	
CYH71264	A: 64mm	B: 32mm	C: 32mm	CYG74264	CYG77264
CYH71270	A: 70mm	B: 35mm	C: 35mm	CYG74270	CYG77270
CYH71280	A: 80mm	B: 40mm	C: 40mm	CYG74280	CYG77280
CYH71290	A: 90mm	B: 45mm	C: 45mm	CYG74290	CYG77290
CYXH712100	A: 100mm	B: 50mm	C: 50mm	CYG742100	CYG772100

KTD - OFFSET EURO DOUBLE CYLINDER

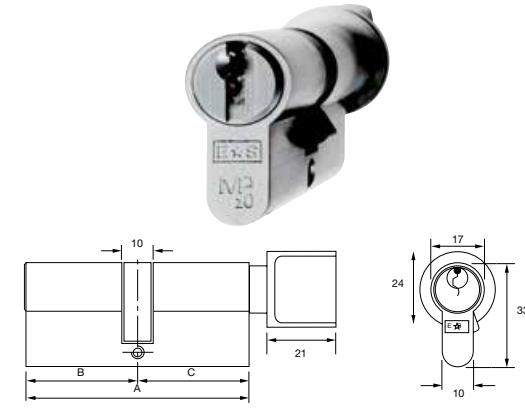
	KA			UMK	
CYH7123240	A: 72mm	B: 32mm	C: 40mm	CYG7423240	CYG7723240
CYH7123250	A: 82mm	B: 32mm	C: 50mm	CYG7423250	CYG7723250
CYH7123540	A: 75mm	B: 35mm	C: 40mm	CYG7423540	CYG7723540
CYH7123545	A: 80mm	B: 35mm	C: 45mm	CYG7423545	CYG7723545
CYH7123550	A: 85mm	B: 35mm	C: 50mm	CYG7423550	CYG7723550
CYH7123555	A: 90mm	B: 35mm	C: 55mm	CYG7423555	CYG7723555
CYH7124045	A: 85mm	B: 40mm	C: 45mm	CYG7424045	CYG7724045
CYH7124050	A: 90mm	B: 40mm	C: 50mm	CYG7424050	CYG7724050
CYH7124055	A: 95mm	B: 40mm	C: 55mm	CYG7424055	CYG7724055
CYH7124060	A: 100mm	B: 40mm	C: 60mm	CYG7424060	CYG7724060
CYH7124550	A: 95mm	B: 45mm	C: 50mm	CYG7424550	CYG7724550
CYH7124555	A: 100mm	B: 45mm	C: 55mm	CYG7424555	CYG7724555



MP10 Restricted 10 Pin Cylinders



EURO CYLINDER & TURN

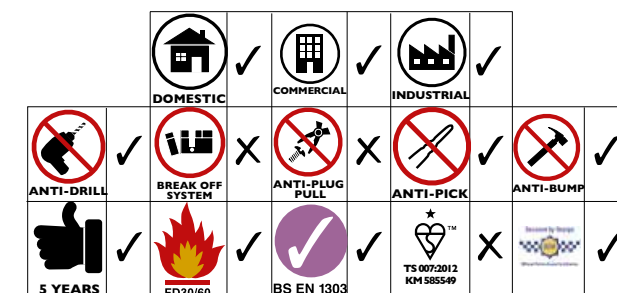


KTD - EURO CYLINDER & TURN

	KA			UMK	
CYH71364	A: 64mm	B: 32mm	C: 32mm	CYG74364	CYG77364
CYH71370	A: 70mm	B: 35mm	C: 35mm	CYG74370	CYG77370
CYH71380	A: 80mm	B: 40mm	C: 40mm	CYG74380	CYG77380
CYH71390	A: 90mm	B: 45mm	C: 45mm	CYG74390	CYG77390
CYH713100	A: 100mm	B: 50mm	C: 50mm	CYG743100	CYG773100

KTD - OFFSET EURO CYLINDER & TURN

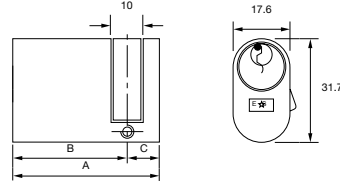
CYH7133240	A: 72mm	B: 32mm	C: 40mm	CYG7433240	CYG7733240
CYH7133545	A: 80mm	B: 35mm	C: 45mm	CYG7433545	CYG7733545
CYH7133555	A: 90mm	B: 35mm	C: 55mm	CYG7433555	CYG7733555
CYH7134032	A: 72mm	B: 40mm	C: 32mm	CYG7434032	CYG7734032
CYH7134050	A: 90mm	B: 40mm	C: 50mm	CYG7434050	CYG7734050
CYH7134060	A: 100mm	B: 40mm	C: 60mm	CYG7434060	CYG7734060
CYH7134535	A: 80mm	B: 45mm	C: 35mm	CYG7434535	CYG7734535
CYH7134550	A: 95mm	B: 45mm	C: 50mm	CYG7434550	CYG7734550
CYH7135040	A: 90mm	B: 50mm	C: 40mm	CYG7435040	CYG7735040
CYH7135045	A: 95mm	B: 50mm	C: 45mm	CYG7435045	CYG7735045
CYH7136040	A: 100mm	B: 60mm	C: 40mm	CYG7436040	CYG7736040



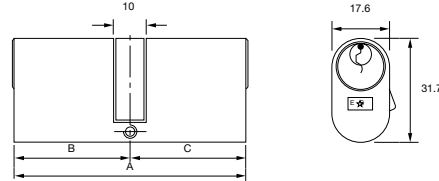
MP10 Restricted 10 Pin Cylinders



OVAL SINGLE CYLINDER



OVAL DOUBLE CYLINDER



KTD - OVAL SINGLE CYLINDER

	KA	UMK
CYH72142	A: 42mm B: 32mm C: 10mm	CYG75142 CYG78142
CYH72146	A: 46mm B: 36mm C: 10mm	CYG75146 CYG78146

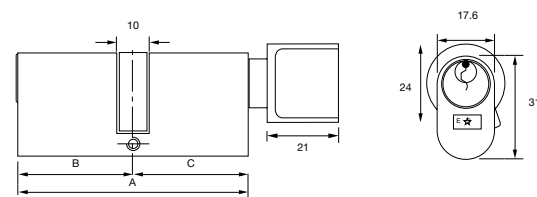
KTD - OVAL DOUBLE CYLINDER

	KA	UMK
CYH72264	A: 64mm B: 32mm C: 32mm	CYG75264 CYG78264
CYH72270	A: 70mm B: 35mm C: 35mm	CYG75270 CYG78270
CYH72280	A: 80mm B: 40mm C: 40mm	CYG75280 CYG78280

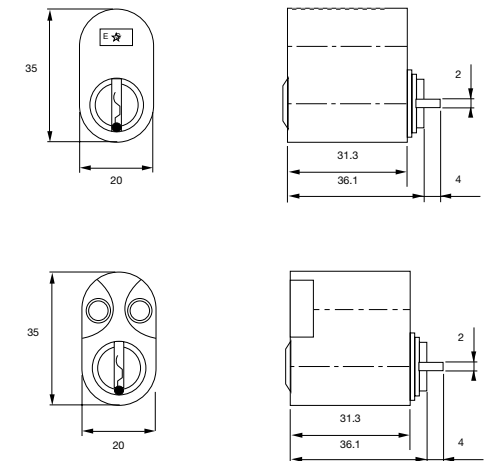
MP10 Restricted 10 Pin Cylinders



OVAL CYLINDER & TURN



SCANDINAVIAN OVAL CYLINDER



KTD - EURO CYLINDER & TURN

	KA	UMK
CYH72364	A: 64mm B: 32mm C: 32mm	CYG75364 CYG78364
CYH72370	A: 70mm B: 35mm C: 35mm	CYG75370 CYG78370
CYH72380	A: 80mm B: 40mm C: 40mm	CYG75380 CYG78380

SCANDINAVIAN OVAL CYLINDER

	KA	UMK
CYH72-SO31	31mm Outer	CYG75-SO31 CYG78-SO31
CYH72-SP31/31SC	31+31mm Outer/Inner Set	

DOMESTIC	COMMERCIAL	INDUSTRIAL
ANTI-DRILL	BREAK OFF SYSTEM	ANTI-PLUG PULL
ANTI-PICK	ANTI-BUMP	
5 YEARS	FD30/60	BS EN 1303
TS 007:2012 KM 5855-49	TS 007:2012 KM 5855-49	TS 007:2012 KM 5855-49

DOMESTIC	COMMERCIAL	INDUSTRIAL
ANTI-DRILL	BREAK OFF SYSTEM	ANTI-PLUG PULL
ANTI-PICK	ANTI-BUMP	
5 YEARS	FD30/60	BS EN 1303
TS 007:2012 KM 5855-49	TS 007:2012 KM 5855-49	TS 007:2012 KM 5855-49

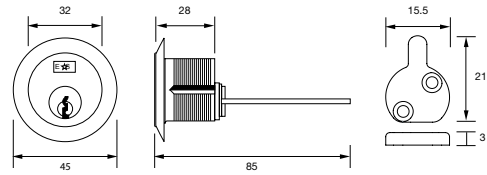
DOMESTIC	COMMERCIAL	INDUSTRIAL
ANTI-DRILL	BREAK OFF SYSTEM	ANTI-PLUG PULL
ANTI-PICK	ANTI-BUMP	
5 YEARS	FD30/60	BS EN 1303
TS 007:2012 KM 5855-49	TS 007:2012 KM 5855-49	TS 007:2012 KM 5855-49

DOMESTIC	COMMERCIAL	INDUSTRIAL
ANTI-DRILL	BREAK OFF SYSTEM	ANTI-PLUG PULL
ANTI-PICK	ANTI-BUMP	
5 YEARS	FD30/60	BS EN 1303
TS 007:2012 KM 5855-49	TS 007:2012 KM 5855-49	TS 007:2012 KM 5855-49

MP10 Restricted 10 Pin Cylinders



UNIVERSAL RIM CYLINDER



SECURITY CARDS FOR MK SUITES



KTD - EURO CYLINDER & TURN

		KA	UMK
CYH73525	Universal Rim Cylinder	CYG76525	CYG79525

Suitable for all major branded rim nightlatches and easily converts to suit 29mm diameter screw-in mortice locks.

SUPPLIED WITH ALL NEW MK SUITES

Distributor

This security card is retained by the distributor and a copy of this card must be produced to Eurospec with any orders for additional keys or cylinders. The distributor card contains either the key number or master key system reference number.

Owner

This security card is retained by the owner of the cylinder or master key system and must be produced to the distributor with any orders for additional keys or cylinders. The owner card contains either the key number or master key system reference number in addition to all distributor details.

For additional key codes and accessories please see pages 267 to 269



DOMESTIC ✓	COMMERCIAL ✓	INDUSTRIAL ✓	INDUSTRIAL ✗
ANTI-DRILL ✓	BREAK OFF SYSTEM ✓	ANTI-PLUG PULL ✓	ANTI-PICK ✓
5 YEARS ✓	FD30/60 ✓	BS EN 1303 ✓	TS 007:2012 ✓

MP15 Patented 15 Pin Cylinders



Cylinders

- BS EN 1303 cylinder security grade 2*
- Anti – pick
- Anti – bump
- Anti – drill
- Anti – pull
- Anti – twist
- 14 standard pins and 1 special patented pin per cylinder plug
- PB, PC, or SC finish
- Euro profile
- Standard rim cylinder
- Keyed to differ (KTD)
- Keyed alike (KA)
- Under master key (UMK)
- Construction key capabilities (CK)
- The construction key is used during installation, the user key is used to re-code the cylinder and automatically exclude the construction key
- Other cylinder sizes available to special order



Keys

- Hard wearing nickel silver keys with plastic coated grip
- Patent protection until 2022 against illegal key duplication
- Huge master keying capabilities (systems up to 10,000 doors)
- Extended neck for use with security escutcheons
- 28 key cuts on 3 different axis
- 2 special patented floating pins in each key
- Vertical key entry for ease of operation
- 2 keys supplied with each cylinder
- BS EN 1303 key security – grade 6 (maximum grade)



* When used in conjunction with AEB5000 security escutcheon

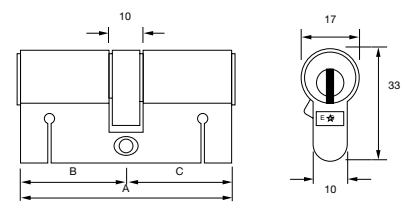
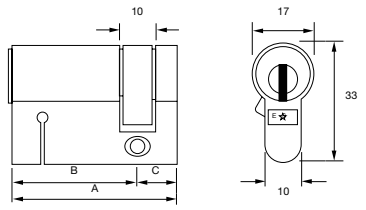
MP15 Patented 15 Pin Cylinders



EURO SINGLE CYLINDER



EURO DOUBLE CYLINDER



	KA			UMK	
CYP71141	A: 41mm	B: 31mm	C: 10mm	CYP74141	CYP77141
CYP71145	A: 45mm	B: 35mm	C: 10mm	CYP74145	CYP77145

	KA			UMK	
CYP71262	A: 62mm	B: 31mm	C: 31mm	CYP74262	CYP77262
CYP71270	A: 70mm	B: 35mm	C: 35mm	CYP74270	CYP77270
CYP71282	A: 82mm	B: 41mm	C: 41mm	CYP74282	CYP77282

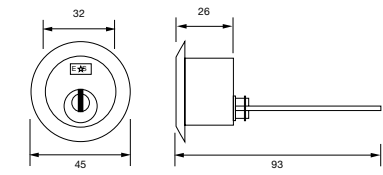
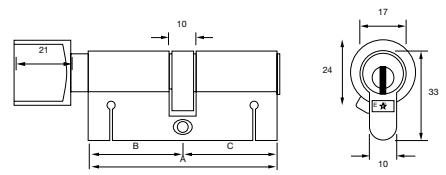
MP15 Patented 15 Pin Cylinders



EURO CYLINDER & TURN



STANDARD RIM CYLINDER



	KA			UMK	
CYP71362	A: 62mm	B: 31mm	C: 31mm	CYP74362	CYP77362
CYP71370	A: 70mm	B: 35mm	C: 35mm	CYP74370	CYP77370
CYP71382	A: 82mm	B: 41mm	C: 41mm	CYP74382	CYP77382

	KA		UMK	
CYP73526	Rim Cylinder		CYP76526	CYP79526

MP15 Patented 15 Pin Cylinders



SECURITY CARDS FOR ALL CYLINDERS



SUPPLIED WITH ALL NEW MK SUITES

Distributor

This security card is retained by the distributor and a copy of this card must be produced to Eurospec with any orders for additional keys or cylinders.

The distributor card contains either the key number or master key system reference number.

Owner

This security card is retained by the owner of the cylinder or master key system and must be produced to the distributor with any orders for additional keys or cylinders. The owner card contains either the key number or master key system reference number in addition to all distributor details.



Accessories – Keys



5 PIN KEYS & KEY BLANKS

CYZ70000	Stocksuite master key
CYZ70001	5 Pin key blank
CYZ7000D	Additional cut key/differ key
CYZ7000M	Master/sub master key



6 PIN KEYS & KEY BLANKS

CYZ78001NS	6 Pin key blank
CYZ7800DNS	Additional differ key
CYZ7800MNS	Master/sub master key



10 PIN KEYS & KEY BLANKS

CYZ75000NS	Stocksuite master key
CYZ7500CNS	Construction key
CYZ7500DNS	Differ key
CYZ500MNS	Workshop cut master/sub master key

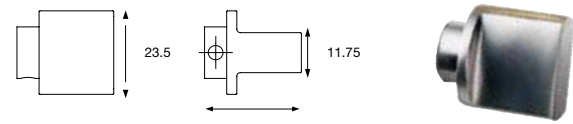


Accessories – Alternative Thumbturns



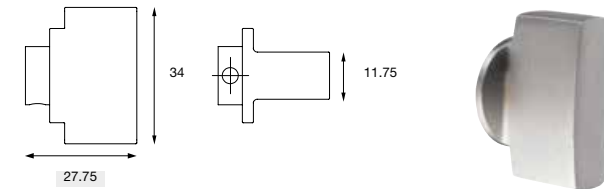
STANDARD THUMBTURN

CYZ70006



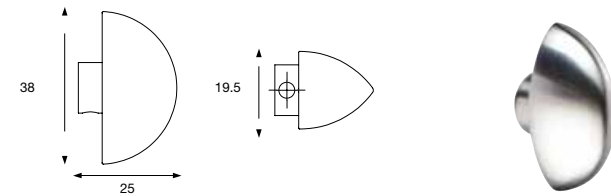
LARGE THUMBTURN

CYZ70007



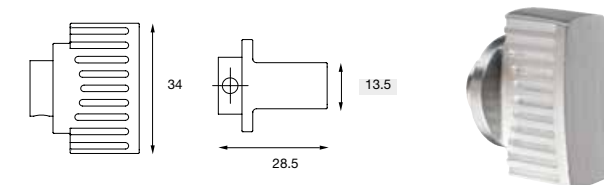
ROUND THUMBTURN

CYZ70008



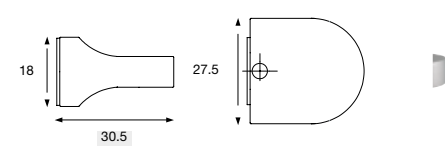
LARGE THUMBTURN WITH GRIP

CYZ70009



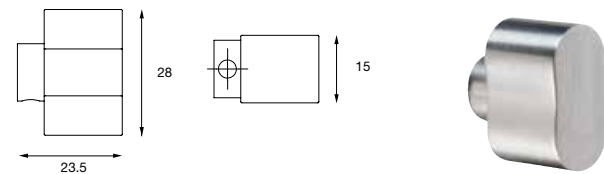
TALL SEMI-CIRCULAR THUMBTURN

CYZ70011



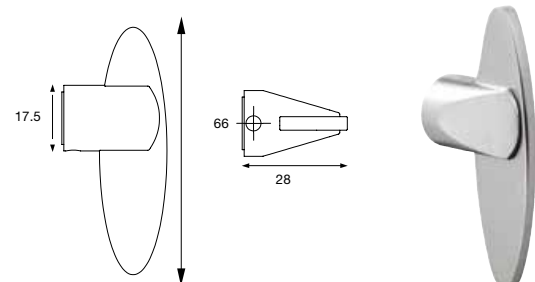
PEANUT SHAPED THUMBTURN

CYZ70012



SHAPED DISABLED THUMBTURN

CYZ70016



Accessories – Alternative Thumbturns



CYLINDER RINGS



CYZ73607

Cylinder ring for threaded cylinder 7mm

CYZ73610

Cylinder ring for threaded cylinder 10mm

KEY RINGS



CYZ70002

19mm key ring

KEY TAGS



CYZ70003

Key tag

SCREWS FOR PROFILE CYLINDERS



CYZ70004NP

M5x65mm

Fixing screw for profile cylinders (nickel plate)

CYZ70004EB

M5x65mm

Fixing screw for profile cylinders (electro brass)

SCREWS FOR RIM CYLINDERS



CYZ70040

Fixing screw for rim cylinders

TAIL FOR 5 PIN RIM CYLINDERS



CYZ70060

Tail for 5/6 Pin rim cylinder

TAIL FOR 10 PIN RIM CYLINDERS



CYZ75060

Tail for 10 Pin rim cylinder

STEEL BACKPLATE



CYZ70050

Steel backplate for standard rim cylinder



TRIM ACCESSORIES



CONTENTS:

DOOR VIEWER	
Standard	272
Electronic	273
BOLTS	
Mortice lever action radius and square flush bolt	274
Mortice lever action flush bolts abuse protectors	275
Surface lever action bolt	276
Metal Door lever action flush bolt	277
Sockets and strikes to suit bolts	277
Automatic Flush Bolts and Sockets	278
Surface Bolts	279

DOOR HOLDERS	
Magnetic	279
Friction	279
DOOR LIMITERS SECURITY	
Door Chains, surface and concealed	280
Door Guards	280
FIRE RATED SSS LETTER PLATE SETS	
Letter plate	281
Inner Tidy	281
Intumescent kits	281
DOOR STOPS	
Floor Type	282
Wall Type	282
Buffered Type with and without hooks	282
Jamb Type	282

ACCESSORIES	
Cylinder Pull	283
Handrail Bracket	283
Push Plates	283
Squash Court Handles	284
Automatic Door Bottom, Surface and Mortice	285
Fire Rated Vision Panels	286

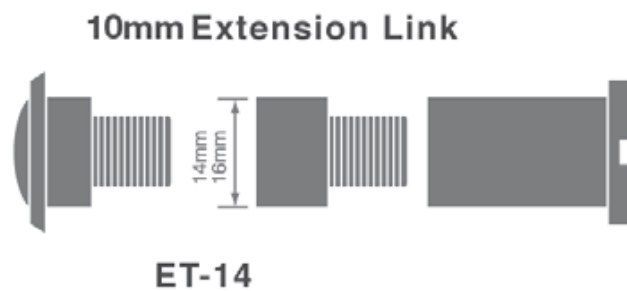
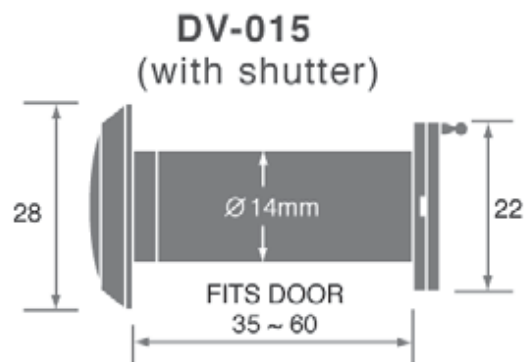
200° Glass Door Viewer C/W shutter



Code: DV-015 | ET-14.SCP



DIMENSIONAL DRAWINGS:



- All models with highly polished optical glass lenses.
- By extending male screw, female screw, or both (or by shortening), the door viewer can easily be adjusted for any door thickness.
- Material: brass.
- Door thickness: 35-60mm (3-3/8" - 2-3/8").

ASSOCIATED STANDARDS:

BS EN 1634-1:2000 Fire resistance tests for door and shutter assemblies – Part 1 : Fire doors and shutters

BS EN 1670:1998 Building hardware – Corrosion resistance – Requirements and test methods

BS EN 60529:1992 Specification for degrees of protection provided by enclosures (IP code).

NOTE:

Proposed Classification in accordance with DHF Technical Specification 002 : Door viewers : November 2005

-	-	-	1	-	3	3	M
---	---	---	---	---	---	---	---

Digital Door Viewer

DOOR VIEWER



DDV

110 degrees



DDVS Screen



135x85x24.5mm

- Photo & video shooting mode
- Doorbell state icon (Normal mode & do not disturb mode)
- Power state icon
- System date icon
- Up to 99999 picture storage (Depends on volume of memory card)
- Different languages available



DDVS SCREEN



- Door thickness: 40-70mm
- Door barrel diameter: 14-26mm
- Camera: 0.3 mega pixels
- LCD Screen: 3.5" TFT
- Power: 4 AA batteries
- Memory card: Micro SD card (FT), max 8GB
- Photo volume for 1GB: 15000pc (lab condition, the actual volume could differ under different circumstances)
- Inferred wavelength: 940nm
- Screen size: 135 (L) x 86 (W) x 25 (T)mm
- Weight: 310g

Mortice Lever Action Flush Bolt



MORTICE LEVER ACTION 19MM

Code: FB150 – SNP – PCP
 FB200 – SNP – PCP
 FB300 – SSS only
 FB450 – SSS only
 FB600 – SSS only

Bolt Ø 11mm
 Shoot 13mm



RADIUS MORTICE LEVER ACTION 19MM

Code: FBR.150 – SNP
 FBR.200 – SNP
 FBR.300 – SSS only
 FBR.450 – SSS only
 FBR.600 – SSS only

Bolt Ø 11mm
 Shoot 13mm



Mortice Lever Action Flush Bolt Protectors



Code: NS.98



USAGE:

Supports flush bolts when abused on wood doors

MATERIAL:

Stainless Steel

FINISHES:



FIXINGS:

Not included

NOTE:

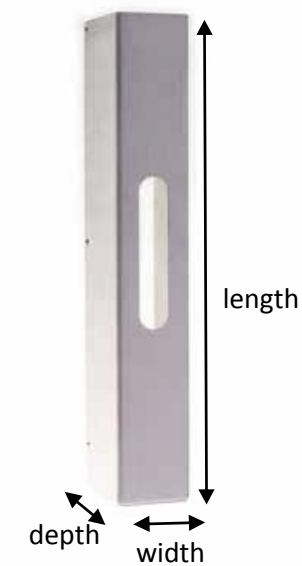
BS EN 1634-1:2000 30 & 60 mins

APPLICATION:

- Protects against damage, or repairs existing damage, at the flush bolt on a timber door
- Proven to extend the durability of a timber door fitted with a flush bolt
- Fits over top and bottom flush bolts without compromising function
- Reduces maintenance costs and cost of replacing damaged doors
- Fire tested to BSEN1634 at 30 minutes and 60 minutes
- Strengthens door and improves security

DIMENSIONAL DRAWINGS:

	Length x Width x Depth (mm)					
	A	B	C	D	E	F
NS.98.44	225 x 44 x 40	300 x 44 x 60	300 x 44 x 100	300 x 44 x 150		
NS.98.54	225 x 54 x 40	300 x 54 x 60	300 x 54 x 100	300 x 54 x 150	400 x 54 x 100	400 x 54 x 175
NS.98.XX	300 x 40 x 60	225 x 46 x 40	225 x 46 x 40	225 x 57 x 40		



FEATURES:

- Manufactured in high strength stainless steel for durability
- Allows easy adjustment of flush bolt when necessary
- Quick and easy to fit saving time and resources; may be retro-fitted to existing doors or pre-fitted to new doors
- As standard in satin stainless steel; available in polished stainless steel, polyester powder-coated finish and RAL colour coated finish to order
- As standard sized to fit 44mm or 54mm thick timber doors; available in custom sizes to order
- Patented pending product manufactured in the United Kingdom
- Available with pre-welded stainless steel flush bolt as optional extra to order

Surface Lever Action Flush Bolt

SURFACE LEVER ACTION BOLTS 19MM C/W MORTICE STRIKE

SSS PSS

Code: FB-019.200
 FB-019.300
 FB-019.600 – SSS only



Maintenance

METAL DOOR LEVER ACTION FLUSH BOLT

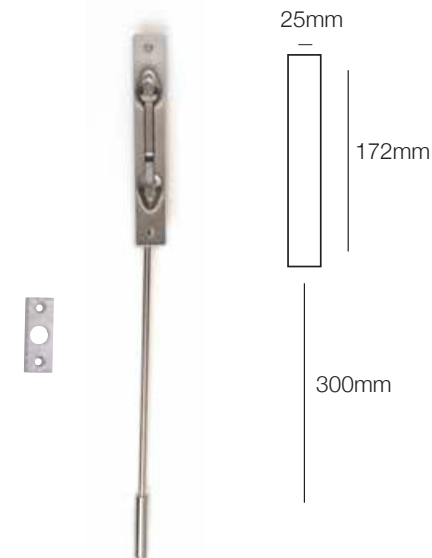
Code: FB25.300

SSS

SQUARE FLUSH BOLT STRIKE – SUPPLIED AS STANDARD

Code: FB.STRIKE

SSS



RIM FLUSH DOOR STRIKE – EXTRA

SSS

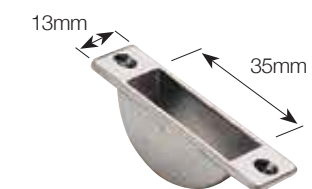
Code: FB-019.TOPSTRIKE



EASICLEAN SOCKET

PA

Code: EC1



DUST EXCLUDING SOCKET

SCP

Code: DE1

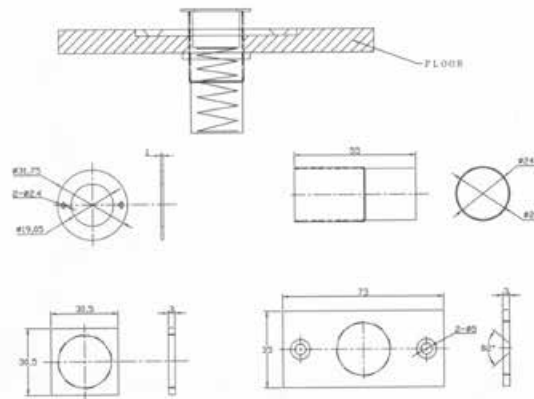


Trim Accessories Automatic Flush Bolts for Wood

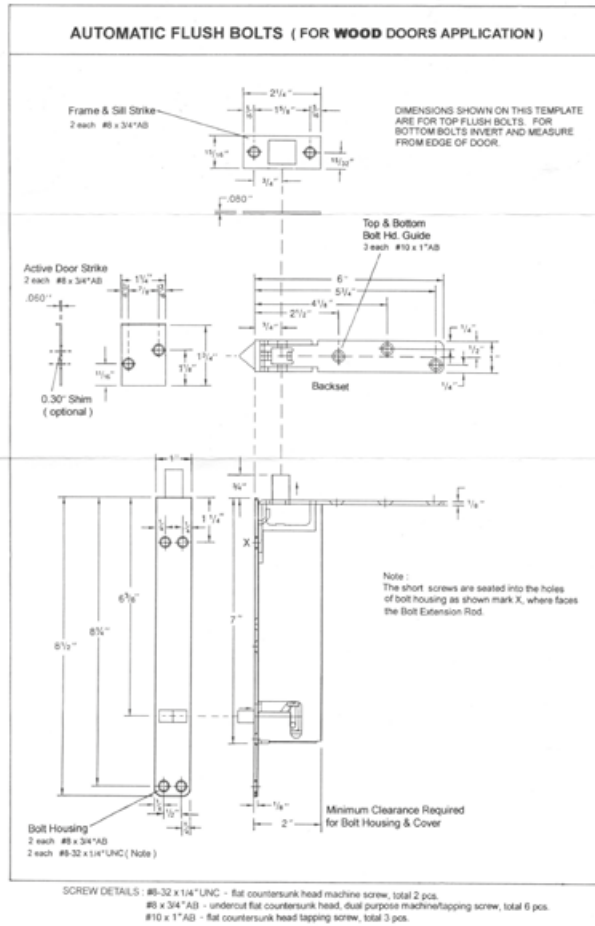


Code: AFB

Code: AFB.DE SCP



DIMENSIONAL DRAWINGS:



FULLY AUTOMATIC:

When active door is opened, inactive door is free.

USED IN PAIRS:

At top & bottom of inactive door

PACKED:

One set, two (2) bolts per box w/ 8x1" tapping screws. Complete with installation template.

THERMAL LOCK:

Automatically locks inactive door under high fire / heat conditions

SMOOTH, EASY ACTION:

Only 5lbs force needed to drive cam/piston actuated mechanism, meet ADA regulations.

OVERRIDE FEATURE:

Prevents bolt obstruction damage.

ADJUSTABLE:

For unusual clearances or conditions.
Conforms to UL10C + UBC7-2 1997

Holdings & Bolts

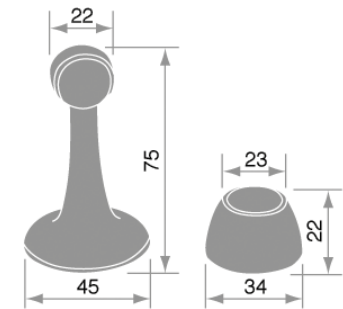


MAGNETIC DOOR HOLDER

PCP SCP

Code: DS-040

75-97mm projection

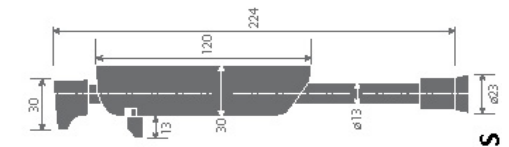


DOOR HOLDER

SCP

Code: DS-046S

95mm diameter



INDICATING BOLT

PCP SCP

Code: DB-036

Suitable for doors up to 54mm



SURFACE BOLT

SCP

Code: DB-035.100
DB-035.150
DB-035.200



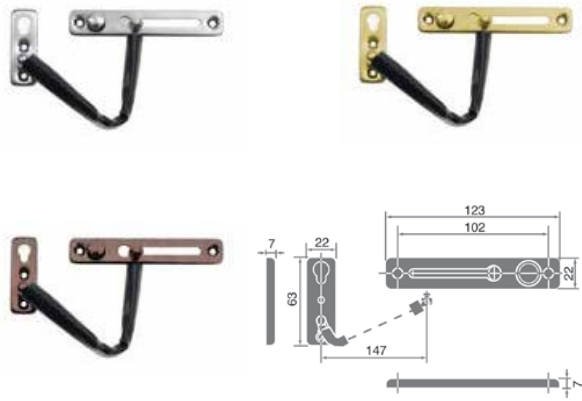
Door Chains / Door Guards



DOOR CHAIN



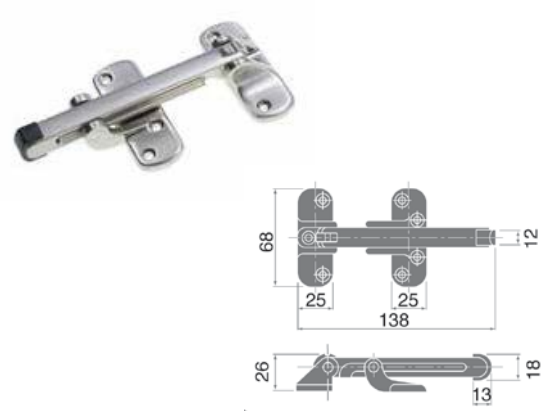
Code: DC-018



DOOR GUARD WITH BUFFER



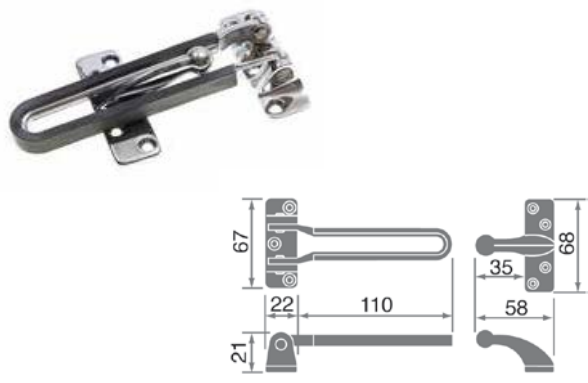
Code: DG-109



DOOR GUARD WITH PROTECTOR



Code: DG-110



DOOR GUARD



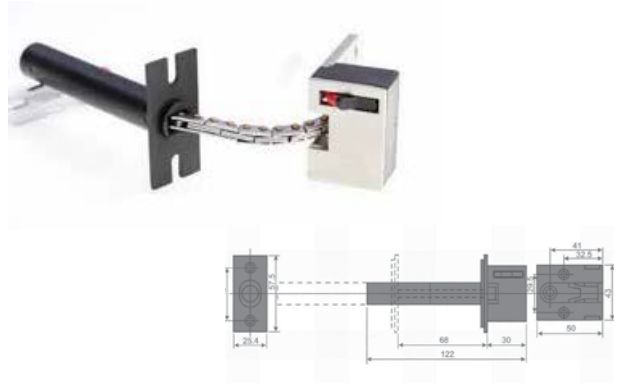
Code: DG106N



CONCEALED DOOR GUARD CHAIN



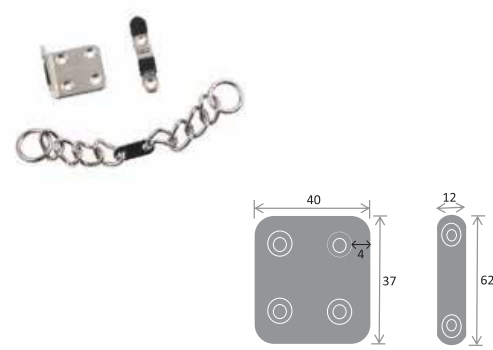
Code: MC41



DOOR CHAIN



Code: DC-3000



Letter Plates/Tidy 250x50mm Aperture

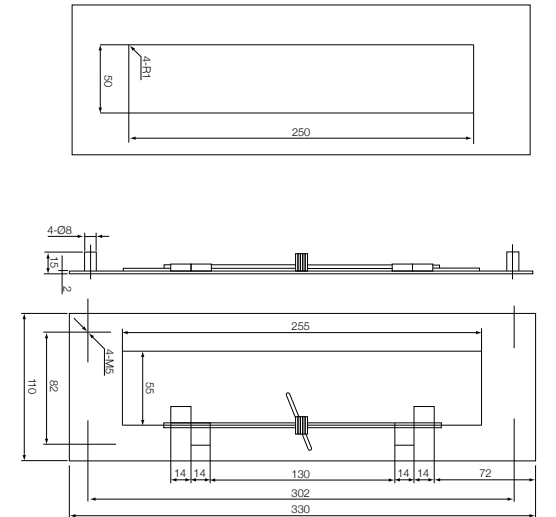


LETTER PLATE



Code: LP1

Size: 330 x 110 x 2.5mm
Aperture: 250 x 50mm
Bolt through to IT1
LPI.IP intumescent pack



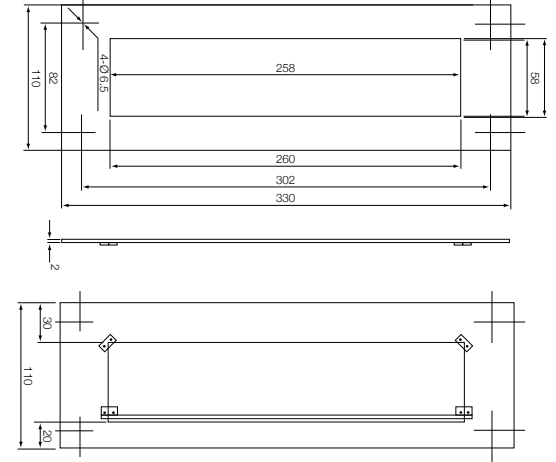
INNER TIDY



Code: IT1

Size: 330 x 110 x 2.5mm
Aperture: 260 x 60mm
Bolt through to LP1

Fire tested as a set
BS EN 1634-1:2014 60mm
BS EN 1363-1:2012



Intumescent Pack Code: ILP1.IP

Pulls & Push

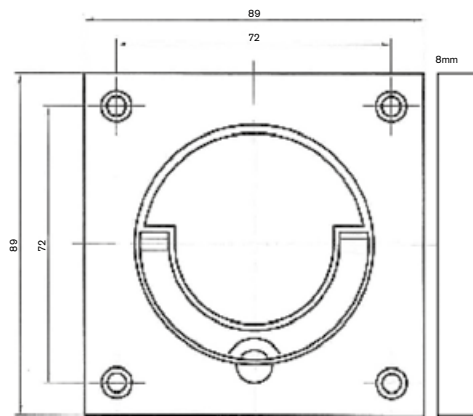


SQUASH COURT HANDLE

Code: SCH
89 x 89 x 3mm



DIMENSIONAL DRAWINGS:

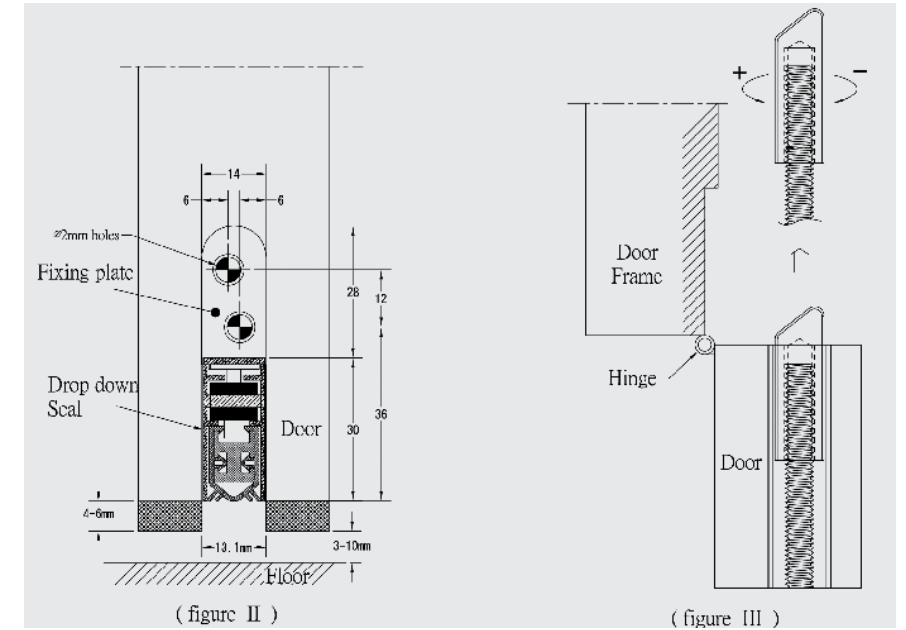


Dual Purpose Automatic Door Bottom



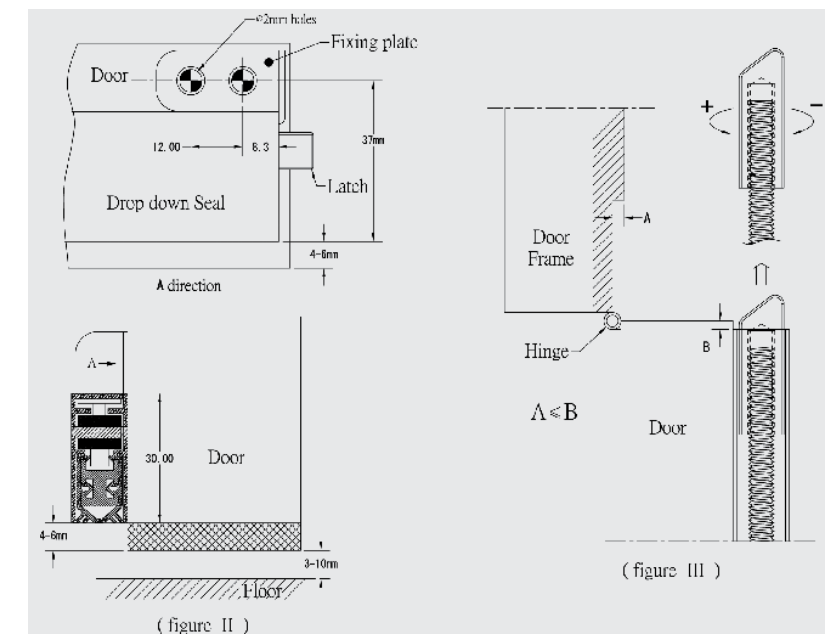
AUTOMATIC DOOR BOTTOM (MORTICE)

Code: MADB
Silver finish
Standard length: 832mm



AUTOMATIC DOOR BOTTOM (SURFACE)

Code: SADB
Silver finish
Standard length: 832mm



Fire Rated Vision Panels

Code: 1PYR



SIZES:

- 300 x 150 x 33mm
- 405 x 405 x 33mm
- 805 x 255 x 33mm



APPLICATION:

- Provides a hit-&-miss fire rated vision panel for use in timber doors, partitions or walls
- Patent pending feature of frame improves durability and minimises user hazard risk
- Suitable for environments where user safety is a consideration; designed to minimise ligature risk
- Guaranteed rating to 60 minutes fire resistance dependant on door to BSEN1634
- Suitable for new build or retro-fit projects

FEATURES:

- Manufactured in Zintec or stainless steel for durability; secured by anti-tamper stainless screws; wide frame reduces potential of panel being forced out of aperture
- Glass has Pilkington Grade 'A' impact rating
- Operated by 5mm radiator type key by staff; anti-ligature knob on the client side
- Anti-ligature knob on the client side which can be clutched to prevent client forcibly controlling panel function
- Reduces cost of stock levels – one size suitable for retro-fit into standard non-fire rated, 30 minute or 60 minute fire doors
- Suitable for use with proprietary bead sets; timber/mdf bead sets available to suit different door thicknesses
- As standard unit sheets are 18/4/10mm (34.5mm) thick with the 4mm sheet available in polycarbonate or toughened glass
- As standard finished in powder-coated wood grain finish; also available in satin stainless steel or powder-coated to any RAL colour to order
- Heavy duty version available for bolt through applications

DISABLED FITTINGS



CONTENTS:

STAINLESS STEEL

Grab Rails, straight and cranked	288-289
Standard Hinged Support Rails	288,291-292
Support Legged Hinged Support Rail	291
Friction Hinged Support Rail	292
Backrests	290
Folding Shower Seat	292
Doc M Packs	293-294

PROTECTIVE BOLLARDS

Stainless Steel or Colour Coated	295
----------------------------------	-----

WHITE AND COLOUR COATED

Grab Rails, straight and cranked	298-300
----------------------------------	---------

Standard Hinged Support Rails	296-297
Support Legged Hinged Support Rail	296
Hinged Support Rail Adapter Kit	297
Sprung Hinged Support Rail	297
Bath rails	301-302
Floor to ceiling poles	303
Stair Handrails	304
Modular Handrails	305
Folding Shower Seat	311-312
Doc M Packs	306-309

SSS Disabled



HINGED SUPPORT RAIL



Code: FS004.700

Whole unit is made of heavy gauge SUS304 stainless steel with satin finish.

- BS8300 compliant
- Special design for handicapped toilet.
- Exposed screw mounting.
- A safety button designed to secure the grab bar in vertical position.
- Furnished with 32mm diameter x 700mm length swings up grab bar.



BACKREST C/W CUSHION



Code: BR1



GRAB BAR C/W CONCEALED ROSE



Code: SGB2.32.450.SSS | SGB2.32.600.SSS

- BS8300 compliant
- Concealed screw mounting.
- Grab bar fabricated with 1.2mm thickness of SUS304 stainless steel.
- Tubing to be bent and welding to the stainless steel flange and stainless steel cover, easy to snap-on.
- Standard Clearance: 60mm between the finished wall surface and the inner edge of the tubing.
- 450 or 650 Lengths



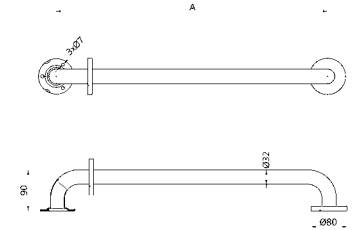
SSS Disabled

STAINLESS STEEL GRAB RAIL



- Non corrosive 304 grade stainless steel construction
- Flange covers to conceal wall fixings
- Choice of lengths and configurations

	A (mm)
SGB3.32.300	300
SGB3.32.450	450
SGB3.32.600	600
SGB3.32.900	900

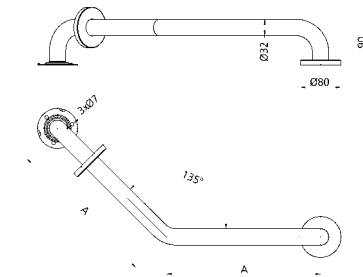


STAINLESS STEEL 135° CRANKED GRAB RAIL



- Non corrosive 304 grade stainless steel construction
- Flange covers to conceal wall fixings
- Choice of lengths and configurations

	A (mm)
SCRGB.150	150
SCRGB.300	300
SCRGB.450	450

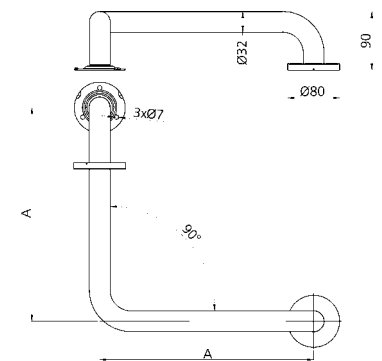


STAINLESS STEEL 90° ANGLED GRAB RAIL



- Non corrosive 304 grade stainless steel construction
- Flange covers to conceal wall fixings
- Choice of lengths and configurations

	A (mm)
SAGB.450	450
SAGB.600	600



SSS Disabled

STAINLESS STEEL BACK REST RAIL AND PAD



Code: BRS1

- Non corrosive 304 grade stainless steel construction
- Durable wipe clean pad
- Flange covers to conceal wall fixings



STAINLESS STEEL BACK REST RAIL



Code: BRS2

- Non corrosive 304 grade stainless steel construction
- Durable wipe clean pad
- Flange covers to conceal wall fixings

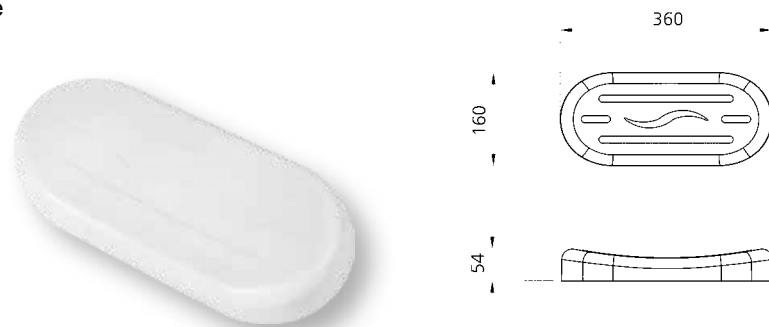


REPLACEMENT PAD TO FIT 32MM RAIL



Code: BR3

- Non corrosive 304 grade stainless steel construction
- Lift and drop hinge mechanism with minimal lateral movement
- Plastic covers for wall fixings available



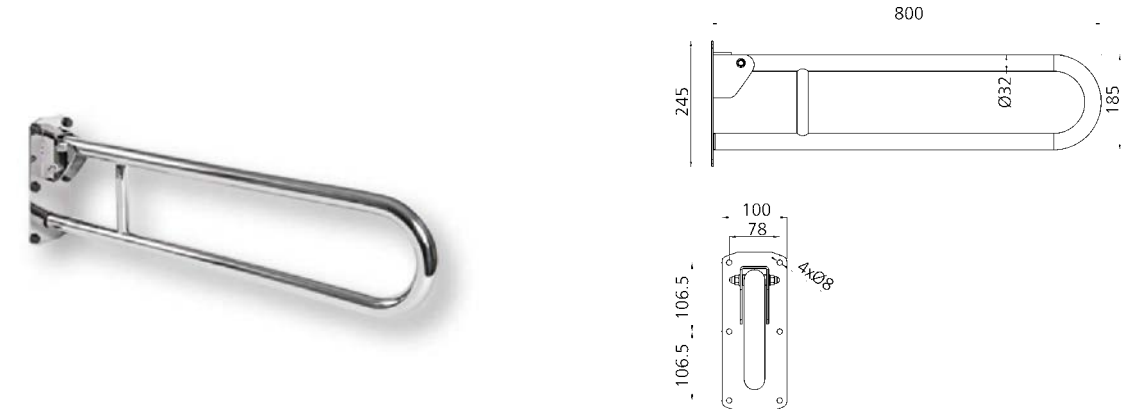
SSS Disabled

STAINLESS STEEL HINGED SUPPORT RAIL



Code: HSR7 | HSR7-T – with toilet roll holder

- Non corrosive 304 grade stainless steel construction
- Lift and drop hinge mechanism with minimal lateral movement
- Plastic covers for wall fixings available

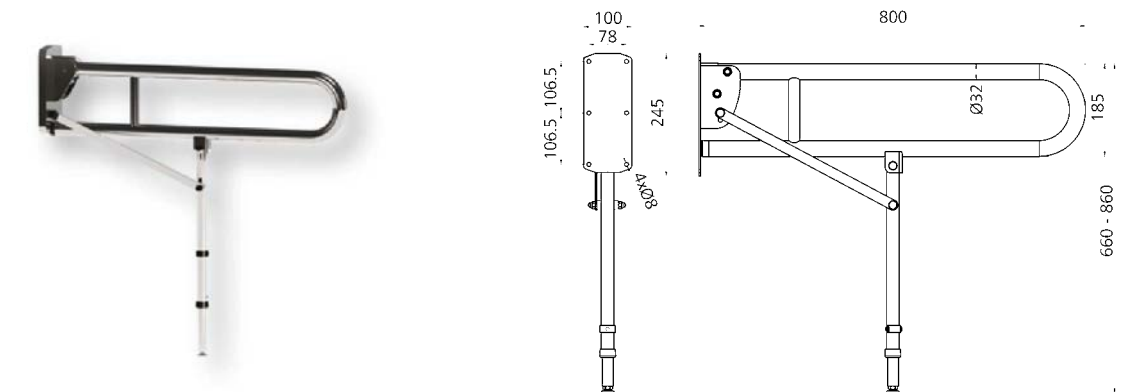


STAINLESS STEEL HINGED SUPPORT RAIL WITH SUPPORT LEG



Code: HSR8 | HSR8-T – with toilet roll holder

- Non corrosive 304 grade stainless steel construction
- Lift and drop hinge mechanism with minimal lateral movement
- Plastic covers for wall fixings available
- Adjustable folding support leg for extra strength with 25mm
- Increments and fine adjustment using threaded foot



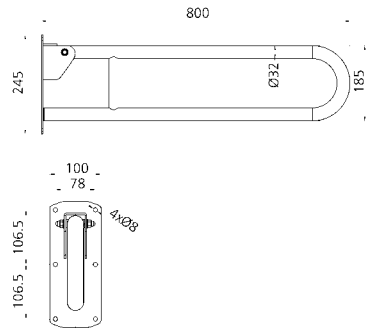
SSS Disabled

PREMIUM FRICTION STAINLESS STEEL HINGED RAIL



Code: HSR9.800

- 800mm
- Non-corrosive 304 grade stainless steel construction
- No lateral movement in hinge mechanism
- Durable stainless steel flange cover to conceal wall fixings



FOLDING SHOWER SEAT

Code: 3091C



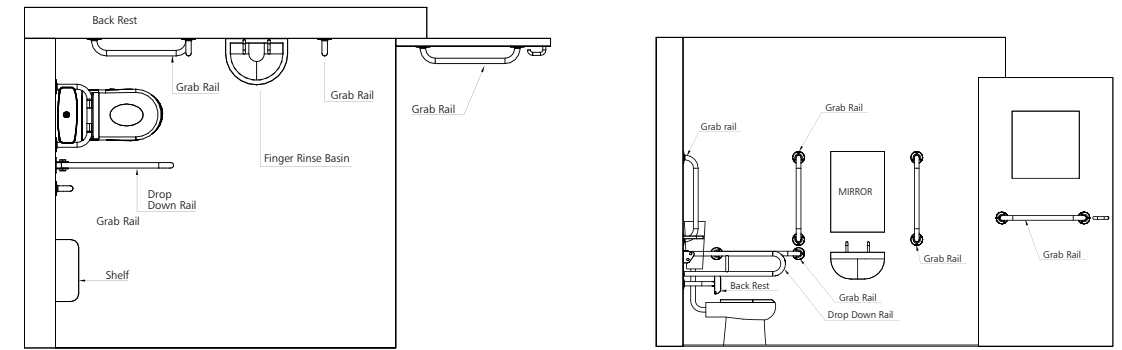
- Constructed of 25mm diameter, SUS304 stainless steel with satin finish.
 - Furnished with self-locking mechanism
- Flange: 80mm diameter, exposed screw type.
Size: 390 x 430 464mm



SSS Disabled



DOC M TOILET PACKS



Drawings are for guidance only, please refer to relevant building regulations

STANDARD DOC M PACK

Code: DOCMST



- Simple one box solution to meet Doc M spec
- High resistance to vandalism
- All components available as individual products for continuity of specification

CONTENTS	QTY
700mm hinged support rail	1
600mm grab rail with concealed fixing	4
450mm grab rail with concealed fixing	1
Newstar back rest rail and pad with concealed fixing	1



SSS Disabled

RAIL ONLY CLOSED COUPLED DOC M PACK



Code: DOCM5

- Simple one box solution to meet Doc M spec
- High resistance to vandalism
- All components available as individual products for continuity of specification

CONTENTS	QTY
800mm premium hinged support rail	1
600mm premium grab rail with concealed fixing	4
450mm premium grab rail with concealed fixing	1



RAIL ONLY LOW LEVEL DOC M PACK



Code: DOCM6

- Simple one box solution to meet Doc M spec
- High resistance to vandalism
- All components available as individual products for continuity of specification

CONTENTS	QTY
800mm premium hinged support rail	1
600mm premium grab rail with concealed fixing	4
450mm premium grab rail with concealed fixing	1
Premium back rest rail and pad with concealed fixing	1



Protective Bollards

Top segment available in any colour



APPLICATION:

- Minimises risk of impact damage to doorways in high traffic corridors
- Suitable for any high wear-and-tear environment

FEATURES:

- Manufactured in stainless steel to withstand high impact
- Diameter of only 75mm does not cause unsightly obstruction
- Top segment available in any colour and may be either fixed or removable, allowing easy repainting
- Available with either socket or flange floor fixing
- Socket fixed bollards rotate in the ground to deflect impact away from doors
- Manufactured to any height
- Replacement bollards available for socket fixed units

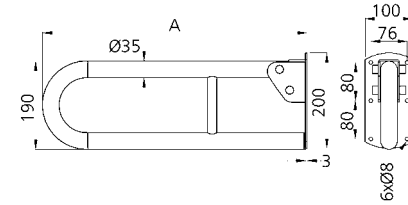
White Disabled

TROMBONE HINGED SUPPORT RAIL

Code: HSR1



- Robust mild steel construction
- Lift and drop folding mechanism with minimal lateral movement
- 800mm (A)

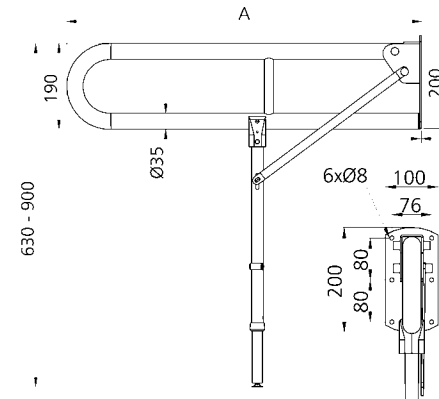


TROMBONE HINGED SUPPORT RAIL WITH LEG

Code: HSR2



- Adjustable folding support leg for extra strength with 25mm increments and fine adjustment using threaded foot
- Lift and drop folding mechanism with minimal lateral movement
- 800mm (A)



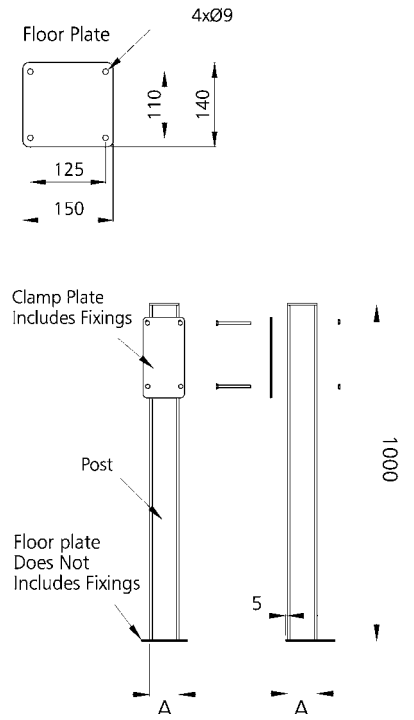
White Disabled

FLOOR MOUNTING POST AND ADAPTION KIT FOR TROMBONE HINGED RAIL



- For use with trombone hinged rails
- Ideal for use where wall substrate is unstable
- Hinged rail can be mounted at variable height

PRODUC CODE	A (mm)
HSRAK.60	60

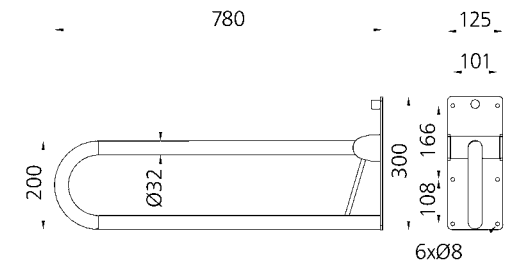


SPRING LOADED HINGED SUPPORT RAIL

Code: HSR6



- Spring loaded hinge mechanism for ease of use
- No lateral movement



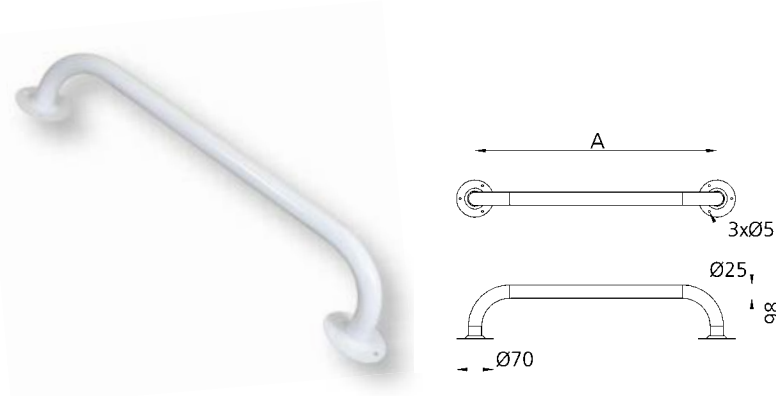
White Disabled

ROUND FLANGE STEEL GRAB RAIL 25MM DIAMETER TUBE



- Robust mild steel construction
- Durable epoxy coated finish

PRODUCT CODE	A (mm)
SGB1.25.305	305
SGB1.25.455	455
SGB1.25.610	610

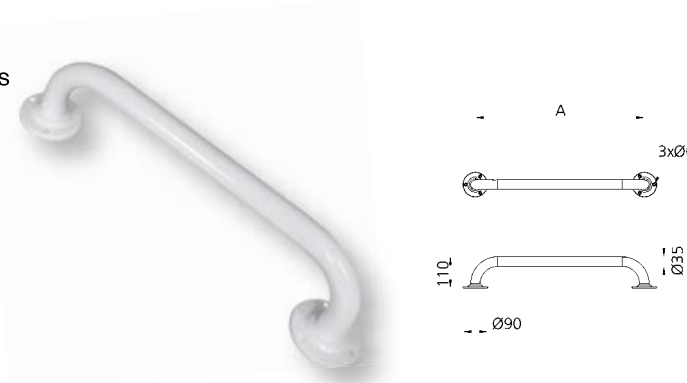


ROUND FLANGE STEEL GRAB RAIL 35MM DIAMETER TUBE



- Robust mild steel construction
- Durable epoxy coated finish
- Raised flange to allow for uneven wall surfaces

PRODUCT CODE	A (mm)
SGB1.35.305	305
SGB1.35.455	455
SGB1.35.610	610
SGB1.35.915	915

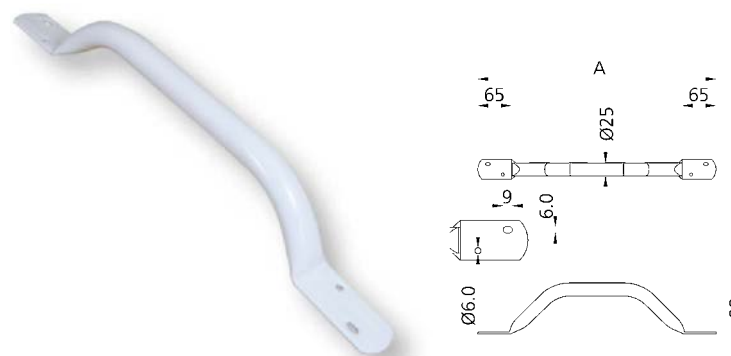


FLAT END STEEL GRAB RAIL



- Narrow flange designed for use in limited flange mounting space
- Robust mild steel construction
- Durable epoxy coated finish

PRODUCT CODE	A (mm)
FEGB1.305	305
FEGB1.455	455
FEGB1.610	610
FEGB1.710	710
FEGB1.915	915



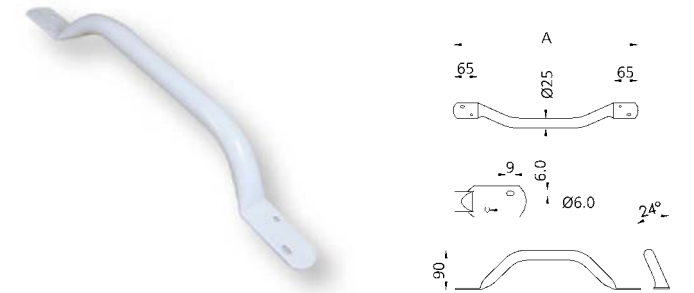
White Disabled

OFF-SET FLAT END STEEL GRAB RAIL



- Off-set to allow safe hand grip next to doorways
- Robust mild steel construction
- Durable epoxy coated finish

PRODUCT CODE	A (mm)
OFEGB.455	455
OFEGB.610	610
OFEGB.710	710

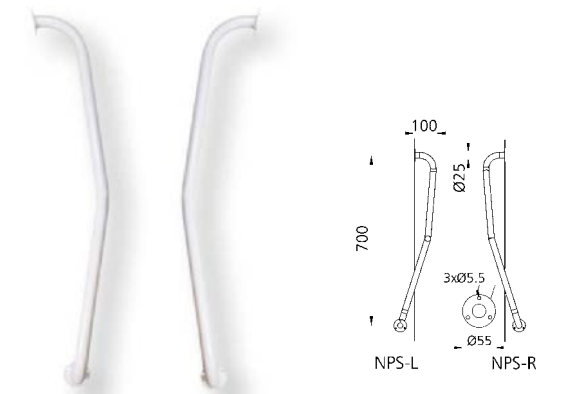


NEWEL POST GRAB RAIL



Code: NGB.LH.WHT | NGB.RH.WHT

- Provides additional support when stepping onto stairs
- Robust mild steel construction
- Small flange for ease of fitting to modern newel posts

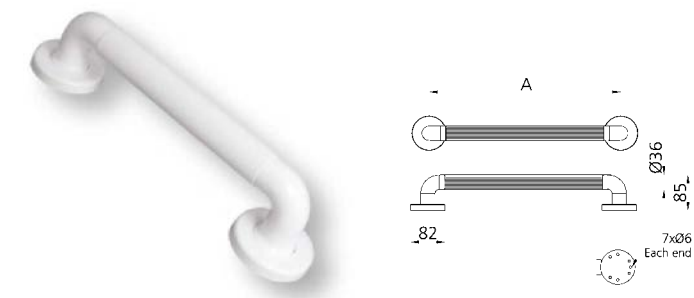


PLASTIC FLUTED GRAB RAIL



- High Quality extruded PVC Plastic
- UV stabilised to prevent discolouration
- No electrical earthing required

PRODUCT CODE	A (mm)
PFGB.300	300
PFGB.450	450
PFGB.600	600
PFGB.900	900



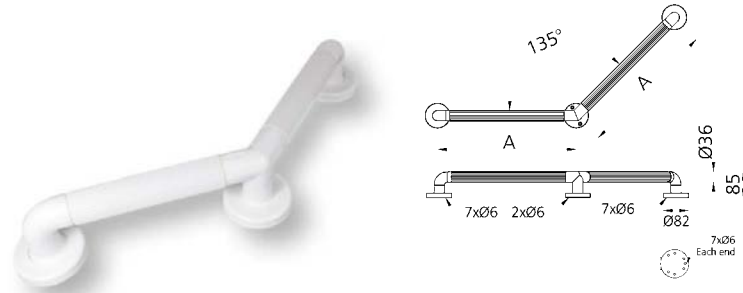
White Disabled

PLASTIC FLUTED 135° CRANKED GRAB RAIL



- High Quality extruded PVC Plastic
- UV stabilised to prevent discolouration
- No electrical earthing required

PRODUCT CODE	A (mm)
PFGB.135.150	150
PFGB.135.300	300
PFGB.135.450	450

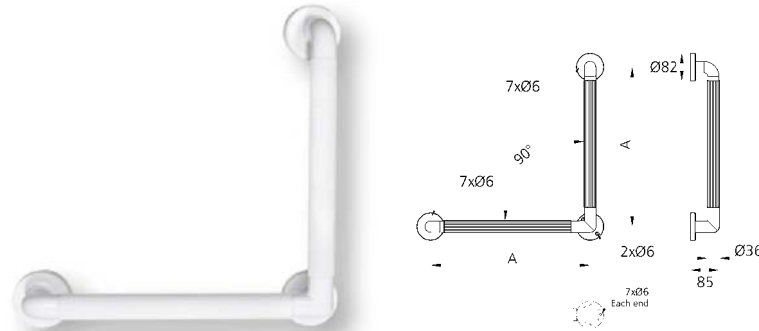


PLASTIC FLUTED 90° ANGLED GRAB RAIL



- High Quality extruded PVC Plastic
- UV stabilised to prevent discolouration
- No electrical earthing required

PRODUCT CODE	A (mm)
PFGB.90.450	450
PFGB.90.600	600



ROUND FLANGE STEEL BACK REST RAIL AND PAD



Code: BR2

- Robust mild steel construction rail
- Durable wipe clean pad
- Saddle clips for fixing pad to rail



White Disabled

STANDARD REPLACEMENT PAD



Code: BR3

- Durable wipe clean pad

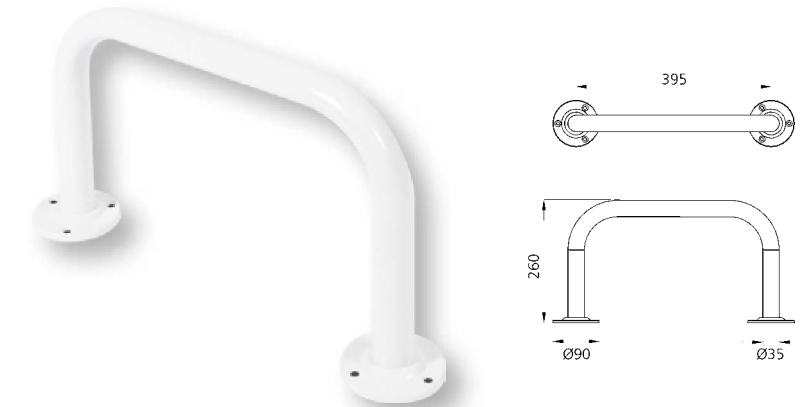


ROUND END STEEL BACK REST RAIL



Code: BR4

- Robust mild steel construction
- Saddle clips for fixing pad to rail

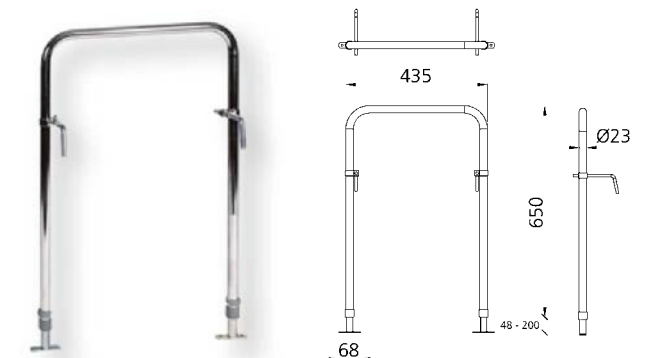


FLOOR MOUNTED BATH SIDE RAIL



Code: NS.FMR1

- Robust mild steel construction
- Fixes to floor and clamps over side of bath

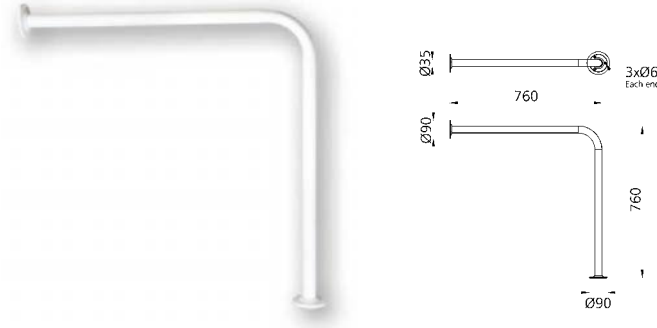


White Disabled

FLOOR TO WALL RAIL

Code: NS.FMR2

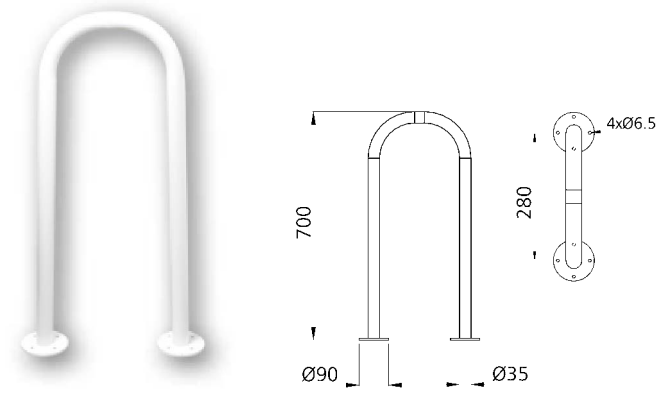
- Designed for use next to a WC or bath offering extra support
- 3 hole fixing points



FLOOR MOUNTED ROUND FLANGE U-RAIL

Code: NS.FMR3

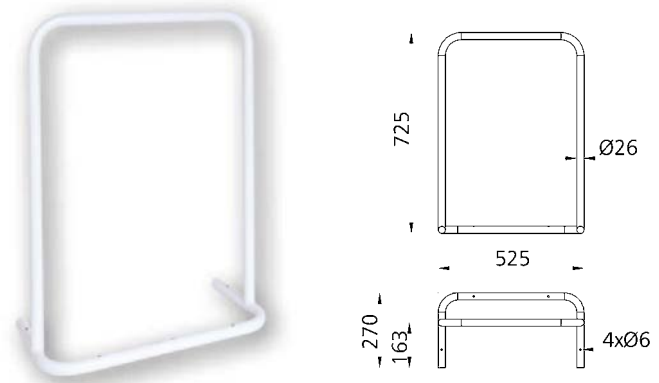
- Robust mild steel tubular construction
- Sturdy floor mounted design



FLOOR MOUNTED U-RAIL

Code: NS.FMR4

- Robust mild steel construction
- Tubular floor fixing for increased stability

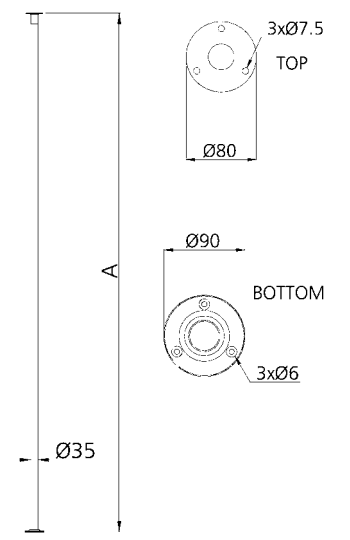
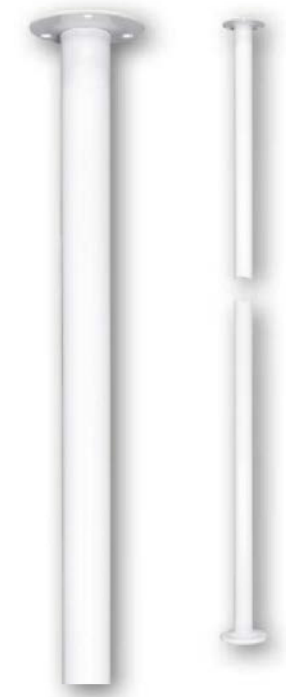


White Disabled

FLOOR TO CEILING POLE

- Robust mild steel construction
- Durable epoxy coating
- Telescopic top flange for precise fitting

PRODUCT CODE	A (mm)
NS.FP1	2400
NS.FP1	2700



RIBBED FLOOR TO CEILING POLE

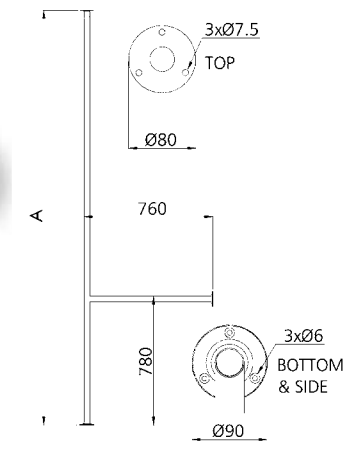
- Fluted slip resistant grips

PRODUCT CODE	A (mm)
NS.FP1R	2400
NS.FP1R	2700

FLOOR TO CEILING POLE WITH RETURN TO WALL

Code: NS.FP3 – A-2700

- Robust mild steel construction
- Durable epoxy coating
- Telescopic top flange for precise fitting



RIBBED FLOOR TO CEILING POLE WITH RETURN TO WALL

Code: NS.FP3R – A-2700

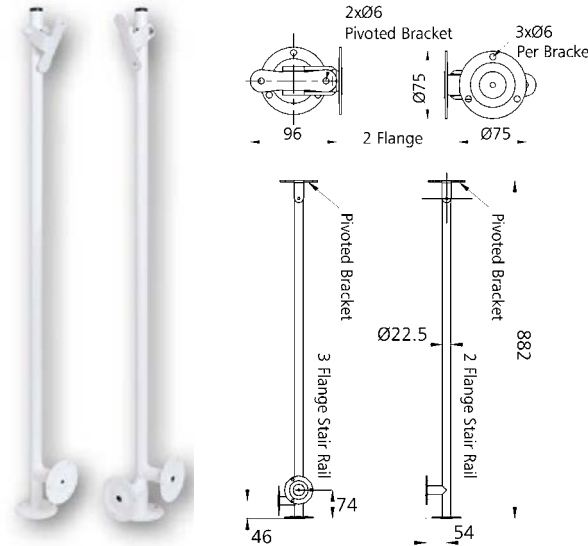
- Fluted slip resistant grips

White Disabled

TWO FLANGE STAIR RAIL

Code: NS.FSR2

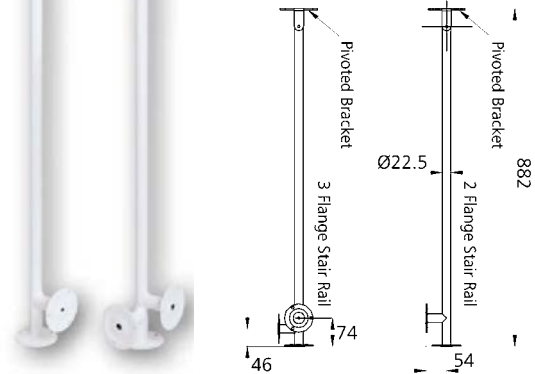
- Robust mild steel construction
- Durable epoxy coating
- Telescopic top flange for precise fitting



THREE FLANGE STAIR RAIL

Code: NS.FSR3

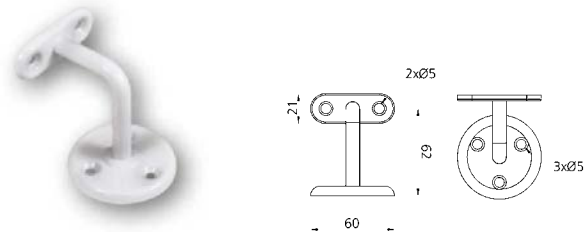
- Robust mild steel construction
- Optional two or three flange design
- Durable epoxy coating



HAND RAIL BRACKET

Code: HRB1

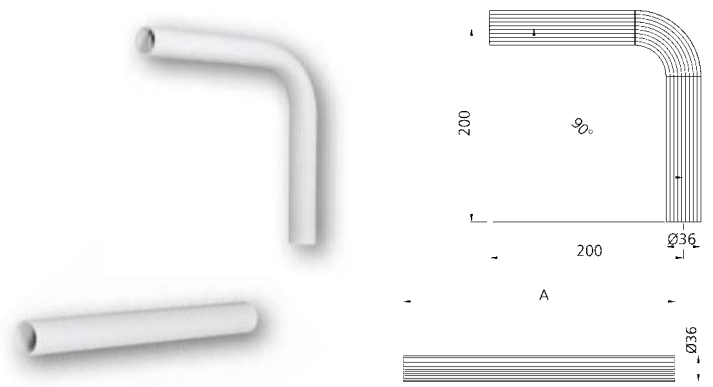
- Robust mild steel construction
- Designed to carry timber hand railing



MODULAR SYSTEM PLASTIC FLUTED HANDRAIL TUBE

- Assembled using solvent cement giving permanent bond
- High Quality extruded PVC plastic
- UV stabilised to prevent discolouration
- No electrical earthing required

PRODUCT CODE	A (mm)
HRM1	230
HRM2	330
HRM3	380
HRM4	530
HRM5	660
HRM6	690
HRM7	710

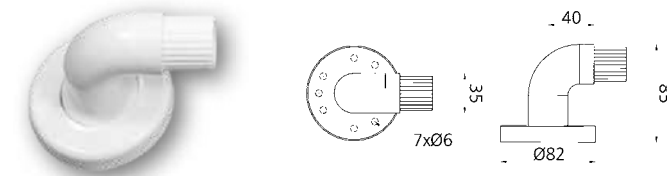


White Disabled

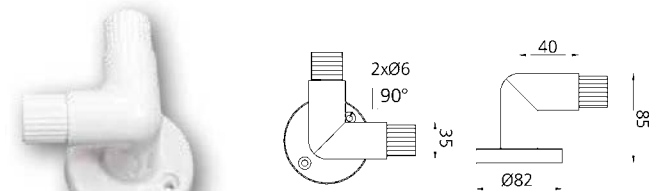
MODULAR SYSTEM - PLASTIC HANDRAIL COMPONENTS

- Assembled using solvent cement giving permanent bond
- High quality extruded PVC plastic
- UV stabilised to prevent discolouration
- No electrical earthing required
- Plastic caps provided to cover screws

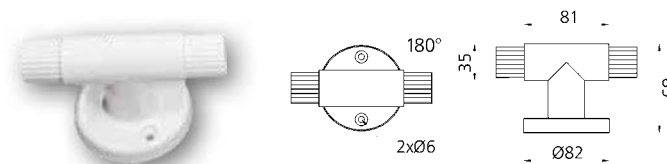
Code: HRM8



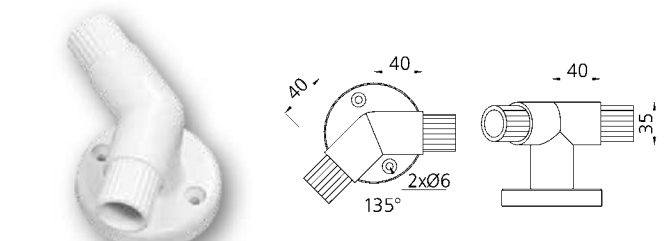
Code: HRM9



Code: HRM10



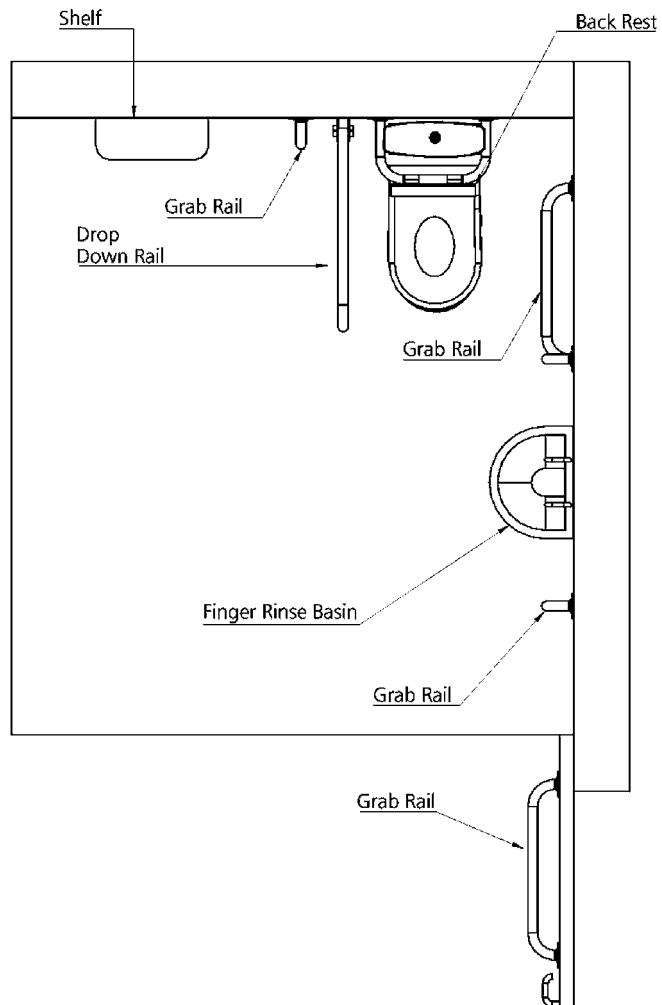
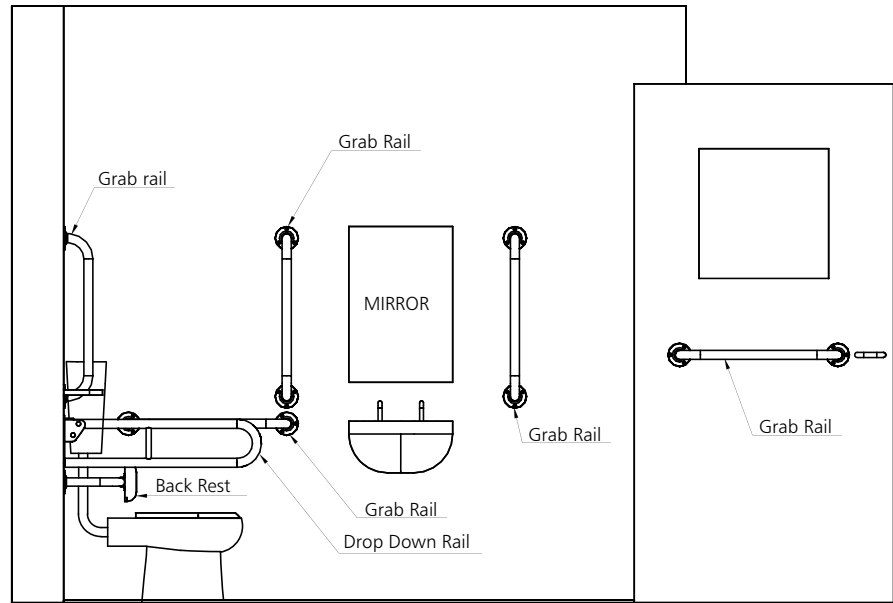
Code: HRM11



Code: HRM12 - Adhesive 250ml

White Disabled

DOC M TOILET PACKS



Drawings are for guidance only. Please refer to relevant building regulations

White Disabled

RAIL ONLY CLOSE COUPLED DOC M PACK C/W TROMBONE HINGED RAIL



Code: DOCM1

- Simple one box solution to meet Doc M spec
- High resistance to vandalism
- All components available as individual products for continuity of specification

CONTENTS	QTY
760mm Trombone hinged support rail	1
600mm Round flange steel grab rails	5



RAIL ONLY LOW LEVEL DOC M PACK C/W TROMBONE HINGED RAIL



Code: DOCM2

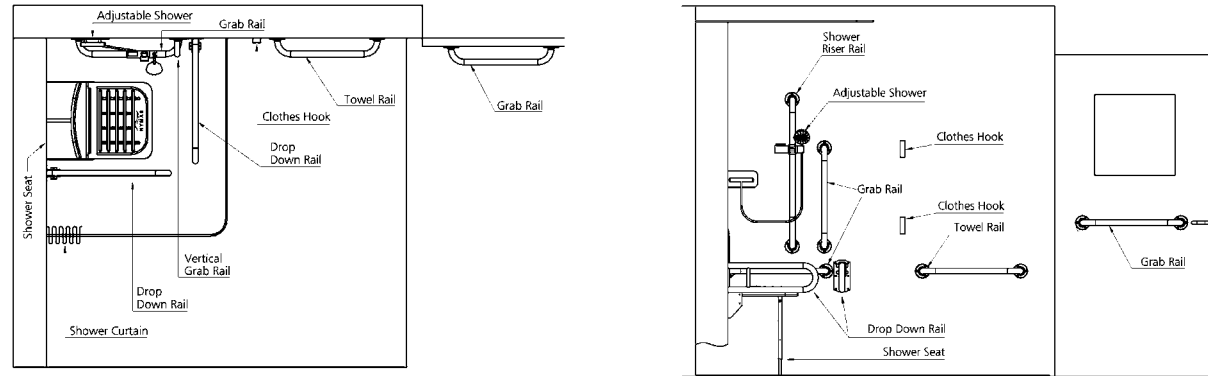
- Simple one box solution to meet Doc M spec
- High resistance to vandalism
- All components available as individual products for continuity of specification

CONTENTS	QTY
760mm Trombone hinged support rail	1
600mm Round flange steel grab rails	5
400mm Round flange back rest rail and pad	1



White Disabled

DOC M SHOWER PACKS



Drawings are for guidance only. Please refer to relevant building regulations

RAIL ONLY DISABLED SHOWER PACK

Code: DOCMS1



- Simple one box solution for special needs shower areas
- High resistance to vandalism
- All components available as individual products for continuity of specification

CONTENTS	QTY
760mm Trombone hinged support	2
600mm Round flange steel grab rail	3
900mm Round flange steel grab rail	1
Slider bracket	1
1200mm x 1200mm Shower track	1
2500mm x 2000mm Shower curtain	1
Doc M Shower seat	1



White Disabled

COMPLETE CONCEALED DISABLED SHOWER PACK



Code: DOCMS2

- High resistance to vandalism
- All components available as individual products for continuity of specification
- One box solution

CONTENTS	QTY
Concealed shower valve	1
Elbow for shower hose	1
Shower hose	1
Multifunction shower head	1
760mm Trombone hinged support rail	2
600mm Round flange steel grab rails	3
900mm Round flange steel grab rail	1
Slider bracket	1
1200mm x 1200mm Shower track	1
3000mm x 2000mm Shower curtain	1
Doc M Shower seat	1



COMPLETE CONCEALED DISABLED SHOWER PACK



Code: DOCMS3

- High resistance to vandalism
- All components available as individual products for continuity of specification
- One box solution

CONTENTS	QTY
Exposed shower valve	1
Shower hose	1
Multi function shower head	1
760mm Trombone hinged support rail	2
600mm Round flange steel grab rails	3
900mm Round flange steel grab rail	1
Slider bracket	1
1200mm x 1200mm Shower track	1
3000mm x 2000mm Shower curtain	1
Doc M Shower seat	1

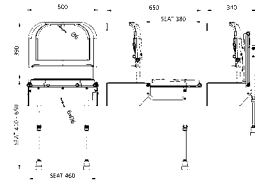


White Disabled

DOC M SHOWER SEAT WITH LEGS

Code: NS.DSS1

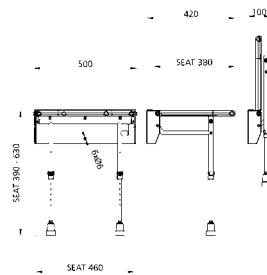
- Extra projection shower seat for easy transfer onto seat
- Rust proof aluminium frame construction
- Closed cell structure PU pad for user comfort.
- Height adjustable with both E-clip in 25mm increments and thread for fine adjustment



WALL MOUNTED SHOWER SEAT WITH LEGS

Code: NS.DSS2

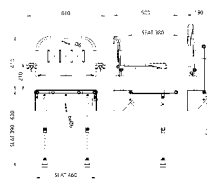
- Non corrosive aluminium frame construction
- Clip on moulded plastic seat
- Adjustable legs with both E-Clip in adjustment in 25mm increments and fine adjustment using threaded feet



WALL MOUNTED SHOWER SEAT WITH BACK, ARMS AND LEGS

Code: NS.DSSC2

- Non corrosive aluminium frame construction
- Padded fold down padded arm rests
- Clip on moulded plastic seat
- Adjustable legs with both E-clip adjustment in 25mm increments and fine adjustment using threaded feet

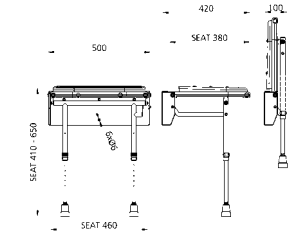


White Disabled

WALL MOUNTED PADDED SHOWER SEAT WITH LEGS

Code: NS.DSS3

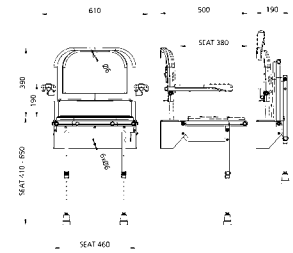
- Sturdy white epoxy coated aluminium frame
- Closed cell structure PU pad for user comfort
- Adjustable legs with both E-clip adjustment in 25mm increments and fine adjustment using threaded feet
- Clip on plastic moulded seat



WALL MOUNTED PADDED SHOWER SEAT WITH BACK, ARMS AND LEGS

Code: NS.DSSC3

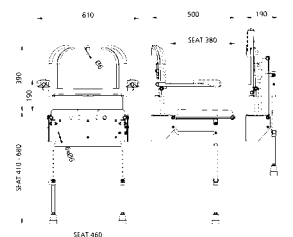
- Sturdy white epoxy coated aluminium frame
- Closed cell structure PU pad for user comfort
- Adjustable legs with both E-clip adjustment in 25mm increments and fine adjustment using threaded feet
- Clip on plastic moulded seat
- Padded fold down arm rests



WALL MOUNTED PADDED HORSESHOE SHOWER SEAT WITH BACK, ARMS AND LEGS

Code: NS.DSS4

- Clip on plastic moulded horseshoe seat
- Sturdy white epoxy coated aluminium frame
- Closed cell structure PU pad for user comfort
- Adjustable legs with both E-clip adjustment in 25mm increments and fine adjustment using threaded feet
- Padded fold down arm rests

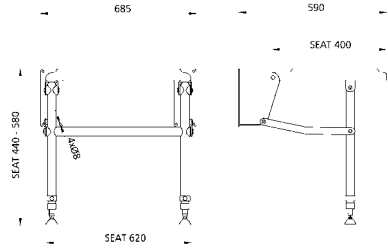


White Disabled

EXTRA WIDE WALL MOUNTED PADDED SHOWER SEAT WITH LEGS

Code: NS.DSS5

- Sturdy white epoxy coated aluminium frame
- Adjustable legs with both E-clip adjustment in 25mm increments and fine adjustment using threaded feet
- Clip on plastic moulded seat



SLATTED SHOWER SEAT WITH LEGS

Code: NS.DSS6

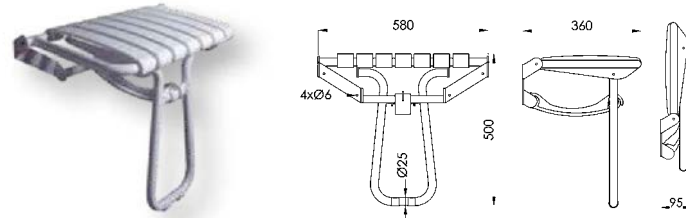
- Durable epoxy coated aluminium frame
- Plastic slats
- Leg support



EXTRA WIDE SLATTED SHOWER SEAT WITH LEGS

Code: NS.DSS6E

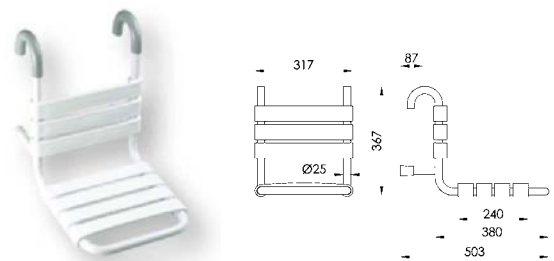
- Durable epoxy coated aluminium frame
- Plastic slats
- Leg support



REMOVABLE SHOWER SEAT

Code: NS.DSS7

- Durable epoxy coated aluminium frame
- Plastic slats
- Leg support



WASHROOM AND BATHROOM FITTINGS



CONTENTS:

STAINLESS STEEL

Towel, Toilet Roll Dispenser	314-316
Soap Dispenser	317-318
Rails, Rings, Holders, Mirror, Shelves	319
Hotel equipment	320-324
Towel and Bin containers	325-326
Hand Dryer, Baby Change	327
Baby Change Units	331
Coat Hooks	328
Cloakroom	329

WHITE

Soap and Toilet Roll Dispenser	330
Curtain and Baby Change	331
Towel Dispenser and Hand Dryer	327
Multi Towel rail and Cabinet	333
Telescopic Rod and Curtain Track	334-335
Toilet Seat	336
Shower Seals	337

SSS Washroom


**SURFACE MOUNTING TWIN
TOILET ROLL DISPENSER**
Code: 3043

SSS

Whole unit is made of SUS304 stainless steel with satin finish.

- Tumbler lock on door
- Holds and dispenses two rolls of standard toilet tissue
- Upper roll automatically lowers into position only when 95% of the bottom roll has been used

Size: 280 x 150 x 155mm


**RECESSED MOUNTING TWIN
TOILET ROLL DISPENSER**
Code: 3044

SSS

Whole unit is made of SUS304 stainless steel with satin finish.

- Tumbler lock on door
- Holds and dispenses two rolls of standard toilet tissue
- Upper roll automatically lowers into position only when 95% of the bottom roll has been used

Size: 280 x 150 x 155mm
Recess: 100mm
**JUMBO TOILET TISSUE
DISPENSER**
Code: 3047

SSS

Whole unit is made of SUS304 stainless steel with satin finish.

- Tumbler lock on door

Size: 260 x 270 x 128mm


**PAPER TOWEL
DISPENSER**
Code: 3055

SSS

Whole unit is made of SUS304 stainless steel with satin finish.

- Tumbler lock on door
- Surface mounting
- Refill indicator slots with continuous stainless steel piano hinge
- Capacity L 275 C-fold, 600 multi-fold or 400 single ply C-fold paper towels.

Size: 270 x 285 x 100mm



SSS Washroom


TOILET ROLL HOLDER

SSS

Code: 131SC

Made of SUS304 stainless steel with bright finish

- Surface mounting
- Furnished with hood and chrome plated plastic roller

Size: 120 x 95 x 100mm


ANTI-VANDAL TOILET ROLL HOLDER

SSS

Code: 3114

Made of SUS304 stainless steel with bright finish

- Surface mounting
- Designed with vandal and theft resistant locking device, constant roll tension and exclusive adjusting mechanism to accommodate rolls from 106mm to 115mm width

Size: 70 x 150 x 110mm


TOILET ROLL HOLDER

PSS

Code: 3039

Made of SUS304 stainless steel with bright finish

- Concealed screw mounting
- Furnished with chrome plated plastic roller

Size: 53 x 143 x 100mm



SSS Washroom



TOILET ROLL HOLDER

Code: 5014

Projection: 55mm ϕ
Size: 90 x 150mm



SSS

SPARE TOILET ROLL HOLDER

Code: 5014SP

Projection: 60mm ϕ
Size: 34 x 120mm



SSS

DOUBLE TOILET ROLL HOLDER

Code: 5014E

Projection: 55mm ϕ
Size: 90 x 285mm



SSS

TOILET BRUSH

Code: 5013

Container: 250 x 90 ϕ x 60 ϕ mm
Holder: 90 x 110mm



SSS

TOWEL RING

Code: 5007

Projection: 55mm ϕ
Size: 125 x 210mm



SSS

SSS Washroom



VERTICAL LIQUID SOAP DISPENSER

Code: 3092

Vertical type surface mounted with concealed mounting bracket

- Container body is made of heavy gauge SUS304 stainless steel
- Exposed surface with satin finish
- Furnished with large locked hinged stainless steel filter top
- Unbreakable refill indicator, valve has chrome plated brass cylinder and piston with stainless steel springs.

Capacity: 40 fl.oz. (1.18 litres)

Size: 205 x 125 x 110mm



SSS

HORIZONTAL LIQUID SOAP DISPENSER

Code: 3094

Horizontal type surface mounted with concealed mounting bracket

- Container body is made of heavy gauge SUS304 stainless steel
- Exposed surface with satin finish. Furnished with large locked hinged stainless steel filter top.
- Unbreakable refill indicator, valve has chrome plated brass cylinder and piston with stainless steel springs.

Capacity: 40 fl.oz. (1.18 litres)

Size: 125 x 205 x 110mm



SSS

SSS Washroom



BUDGET SOAP DISPENSER



Code: 3115

Surface mounted non-corroding chrome plated valve, in white polyethylene container.

Capacity: 24 oz. (0.7 litre)
Size: 202 x 100 x 100mm



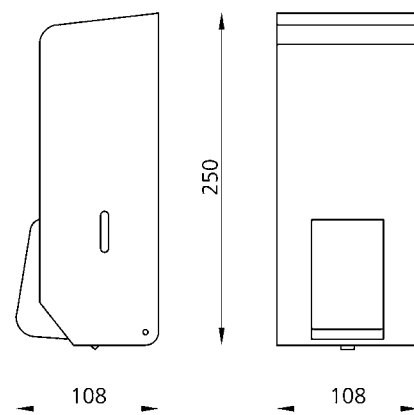
STAINLESS STEEL SOAP DISPENSER



Code: NS.WR129

- Stainless steel construction
- Locking mechanism
- Visual indicator to show soap level

Capacity: 24oz. (0.7 litre)
Size: 250 x 100 x 108mm



SSS Washroom



SINGLE TOWEL RAIL



Code: 5001

Size: 55 x 600mm

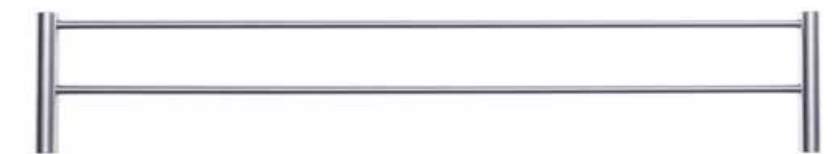


DOUBLE TOWEL RAIL



Code: 5002

Size: 100 x 110 x 600mm



GLASS TOILETRY SHELF



Code: 5012

Size: 100 x 110 x 600mm



TOWEL RAIL



Code: NS.WR115 | NS.WR116
A-450mm A-600mm



TOWEL RING

Code: NS.WR114



SOAP HOLDER



Code: 5019

Size: 110 x 160mm



SSS Washroom

OVAL MIRROR

Code: NS.WR043

Size (mm): Width: 400
Height: 498
Projection: 12



PCP

SOAP TRAY

Code: NS.WR044

Size (mm): Width: 197
Height: 83
Projection: 216



PCP

GLASS SHELF

Code: NS.WR045

Size (mm): Width: 520
Height: 100
Projection: 130



PCP

HEAVY DUTY RECESSED SOAP DISH

Code: 3064

Made of heavy gauge SUS304 stainless steel with bright finish.

- Recessed mounting.
- Raised dimples on bottom of dish allow air to circulate under soap

Wall Opening: 160w x 95h x 70d mm
181 x 127 x 67mm



SSS

SSS Washroom

OVERHEAD TOWEL RACK

Code: NS.WR030

Size (mm): Width: 730
Height: 165
Projection: 300



PCP

SPONGE HOLDER

Code: NS.WR032

Size (mm): Width: 280
Height: 90
Projection: 180

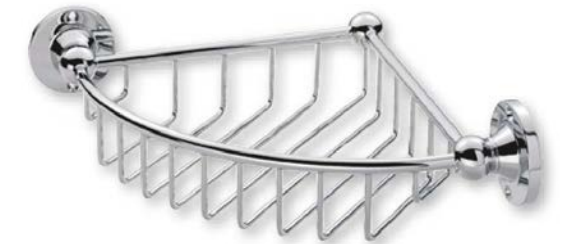


PCP

TRIANGULAR TRAY

Code: NS.WR033

Size (mm): Width: 230
Height: 70
Projection: 230



PCP

SSS Washroom



GLASS SHELF

Code: NS.WR035

Size (mm): Width: 560
Height: 60
Projection: 105



PCP

TOILET BRUSH & HOLDER

Code: NS.WR036

Size (mm): Width: 95
Height: 375
Projection: 172



PCP

SOAP DISH HOLDER

Code: NS.WR037

Size (mm): Width: 145
Height: 52
Projection: 120



PCP

SOAP DISH HOLDER

Code: NS.WR038

Size (mm): Width: 110
Height: 90
Projection: 165



PCP

SSS Washroom

TUMBLER HOLDER

Code: 5020

HOLDER	TUMBLER		
90 x 110mm	110mm	75mm Ø	50mm Ø



SSS

TUMBLER HOLDER

Code: NS.WR039

Size (mm): Width: 80
Height: 115
Projection: 127



PCP

DOUBLE TUMBLER HOLDER

Code: NS.WR040

Size (mm): Width: 177
Height: 110
Projection: 145



PCP

TUMBLER HOLDER

Code: NS.WR041

Size (mm): Width: 125
Height: 95
Projection: 70



PCP

DOUBLE TUMBLER HOLDER

Code: NS.WR042

Size (mm): Width: 75
Height: 93
Projection: 98



PCP

SSS Washroom



BOTTLE OPENER

Code: 3083

- Made of SUS304 stainless steel with bright finish.
- Exposed screw mounting.

Size: 70 x 52 x 25mm



PSS

FACIAL TISSUE DISPENSER

Code: 3054

- Surface mounting.
- Polished chrome plated cold roll steel with front panel, hinged to container.

Capacity: 300 single sheets or 150 two ply sheets.

Size: 270 x 145 x 55mm



PCP

CLOTHES LINE

Code: 3090

- Made of SUS304 stainless steel with bright finish.
- Provides centre locking knob to keep strain of cord when in used.
- Furnished with retainer plate mount and 3M nylon clothes line.

Size: 91mm diameter, 31mm projection.



PSS

SSS Washroom



ROUND DUSTBIN WITH FOOT PEDAL

Code: SB-501

- Type 430 stainless steel.
- Overall Size: 210 x 300mm (Diameter x Height)



SSS

FREE STANDING/WALL MOUNTED CORNER BIN

Code: SB-371

- Made of SUS304 stainless steel with satin finish, c/w white basket inside.
- Free standing floor units

Size: 280 x 460 x 215mm



SSS

TOWEL AND WASTE RECEPTACLE

Code: 3121

- Made of SUS304 stainless steel with satin finish
- Wall mounted or free standing floor units

Size: 357 x 430 x 168mm



SSS

SANITARY NAPKIN AND TOWEL RECEPTACLE

Code: 3131

- Made of SUS304 stainless steel with satin finish
- Wall mounted unit
- Cover mounted on stainless steel piano hinge
- Lower trap door with self-closing lock

Size: 279 x 235 x 108mm



SSS

SSS Washroom



PAPER TOWEL DISPENSER AND WASTE DISPOSAL

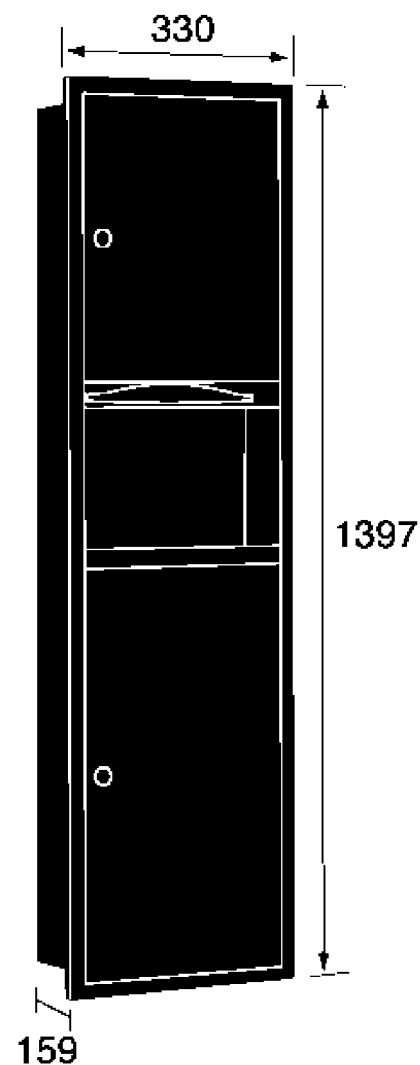
Code: 3129

USU304 stainless steel. Finishes: F24

- Dispenses 600 C-fold or 800 multi-fold or 1100 single fold paper towels.
- Receptacle capacity 7 gallons (31.5 litres).

Suggested mounting height:
1497mm from floor to top of unit

Wall Opening:
292 x 1359 x 159mm (W x H x D)



SSS Washroom

AUTOMATIC HAND DRYER



Code: HK-1800PA

- Plastic ABS cover.
- Power by 220VAC
- Watts: 1800W

Overall Size: 268 W x 220 H x 170 D mm



Standard:
EN60335-1:2002 Household and similar electrical appliances – safety.
Part 1: General requirements. EN 60335-2-23:2003
Part 2-23 Particular requirements for appliances for skin care or hair care

PUSH BUTTON HAND DRYER



Code: HK-2400PS

- Enamelled steel cover
- Power by 220VAC
- Watts: 2400W

Overall Size: 248 W x 248 H x 202 D mm



Standard:
EN60335-1:2002 Household and similar electrical appliances – safety.
Part 1: General requirements. EN 60335-2-23:2003
Part 2-23 Particular requirements for appliances for skin care or hair care

RECESSED STAINLESS STEEL CHANGING STATION



Code: BC2

DDA compliant with welded stainless steel construction. Exposed surfaces are satin finish. Changing surface is high impact resistant plastic shaped to cradle a child's body. Two-part adjustable safety strap and 400lb (181kg) load capacity assures child protection.

Overall size (open): 860 W x 650 H x 450 D mm



White available. Please see page 331.

SSS Cloakroom



SINGLE HOOK



Code: 5010

Overall 65mm
Projection 55mm ϕ
Upright 15mm
 ϕ 19mm



BUFFERED HOOK



Code: 5010B

Projection 78mm
Upright 15mm
 ϕ 19mm



DOUBLE HOOK



Code: 5010D

Overall 65mm
Projection 55mm ϕ
Upright 15mm
 ϕ 19mm



BUFFERED DOUBLE HOOK



Code: 5010DB

Projection 78mm
Upright 15mm
 ϕ 19mm



HAT AND COAT HOOK



Code: IHC

Overall 68mm
Projection 1 63mm
Projection 2 30mm
Return 1 21mm
Return 2 17mm



BUFFERED HAT AND COAT HOOK



Code: IHCB

Overall 50mm
Projection 1 80mm
Projection 2 39mm
Return 1 26mm
Return 2 12mm



4 ROBE HOOK



Code: 5008

Projection 55mm ϕ
Size: 310mm



COAT HOOK



Code: ICH

Overall 65mm
Projection 29mm
Return 17mm



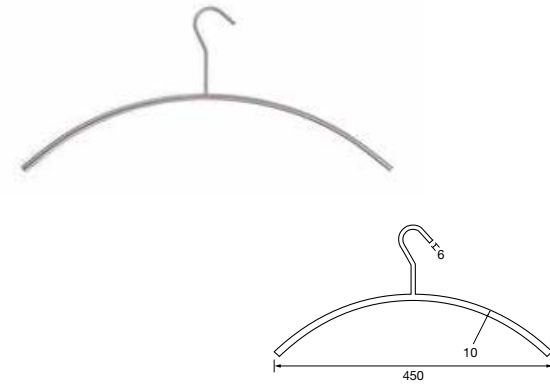
SSS Cloakroom



OPEN COAT HANGER



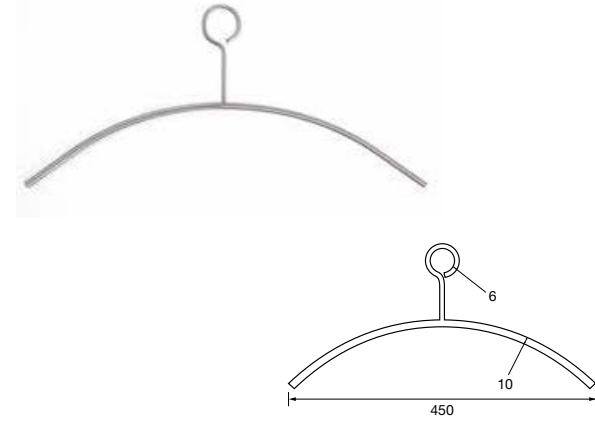
Code: CE1



CLOSED COAT HANGER



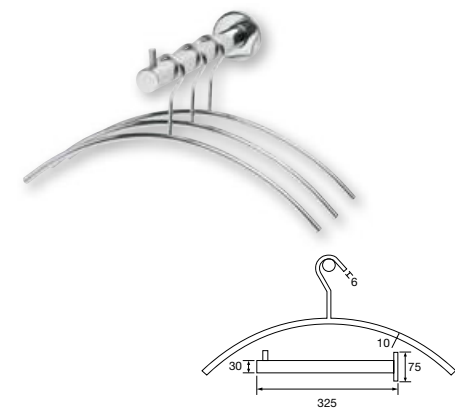
Code: CE2



WALL POST



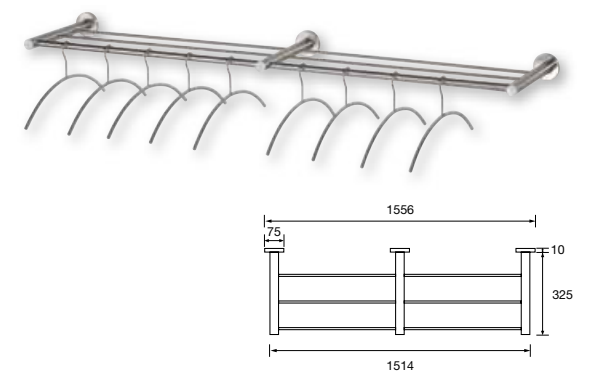
Code: CE3



DOUBLE WALL SHELF



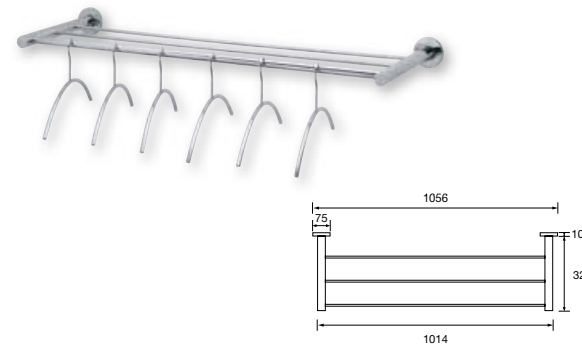
Code: CE4



SINGLE WALL SHELF



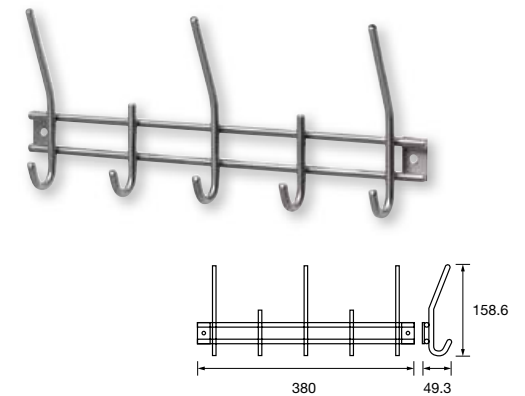
Code: CE5



HAT & COAT HOOK RAIL



Code: CE6

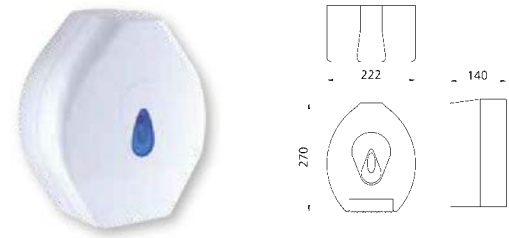


White Washroom

TOILET ROLL DISPENSER

Code: NS.WR106

- Robust ABS plastic construction
- Refillable using industry standard paper rolls
- Locking mechanism
- Visual indicator to show paper level



TOILET TISSUE DISPENSER

Code: NS.WR107

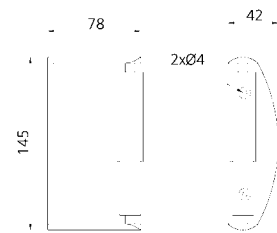
- Robust ABS plastic construction
- Locking mechanism
- Visual indicator to show paper level



TOILET ROLL HOLDER

Code: NS.WR109 – Polished chrome plated

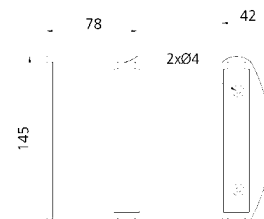
- Robust zinc die cast construction
- White plastic roller



TOILET ROLL HOLDER

Code: NS.WR111 – Polished chrome plated

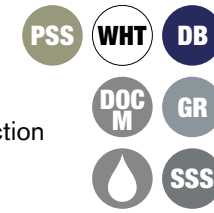
- Robust zinc die cast construction
- Lockable roller



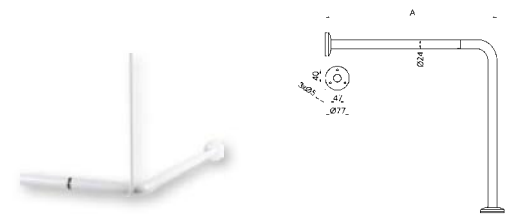
White Washroom

SHOWER CURTAIN RAIL

- Tubular stainless steel construction
- Comes with ceiling stay
- Concealed wall fixings

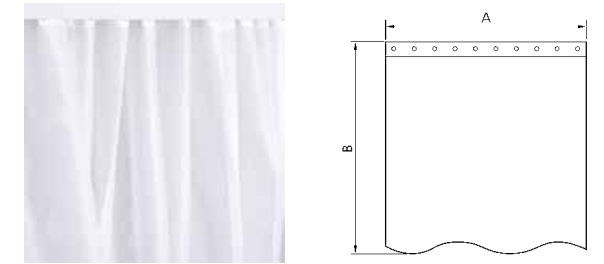


	A	B
NS.WR138	1000	1000
NS.WR139	1200	1200
NS.WR140	2430	-



SHOWER CURTAIN

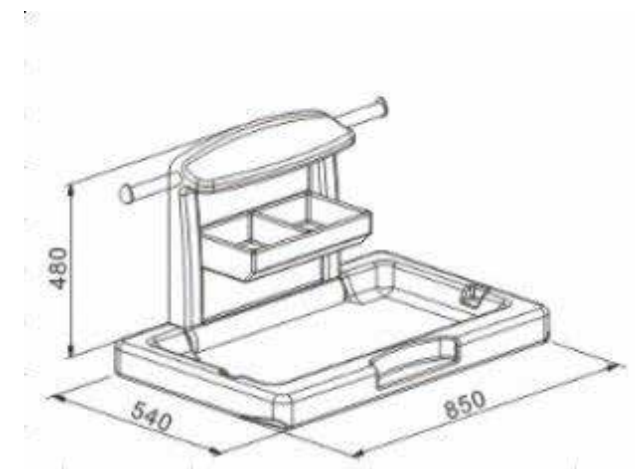
	A	B
NS.WR007	1800	1800
NW.WR008	1800	2000
NS.WR009	2000	2000
NW.WR010	2200	2000
NW.WR011	2500	2000
NW.WR012	3000	2000



BABY CHANGE STATION

Code: 9012

The built-in dispenser for towels or sanitary liners, hooks for nappy bags and handbags plus multi-lingual instructions for added convenience.



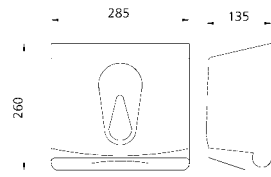
BSEN12221-1:2008 + A1:2013

White Washroom

PAPER TOWEL DISPENSER

Code: NS.WR117

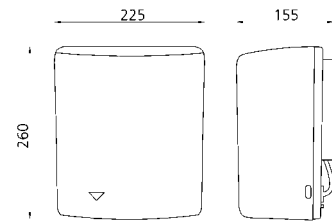
- Robust ABS plastic construction
- Locking mechanism
- Visual indicator to show paper level



WARM AIR DRYER

Code: NS.WR133

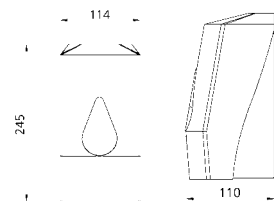
- Sensor operated
- Durable white enamelled steel construction
- 2.4kw, 230/240v power



SOAP DISPENSER

Code: NS.WR112

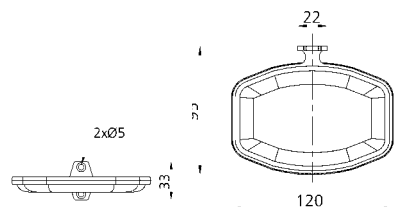
- Robust ABS plastic construction
- Locking mechanism
- Visual indicator to show soap level



SOAP DISH

Code: NS.WR113

- Robust zinc die cast construction
- Removable white plastic liner

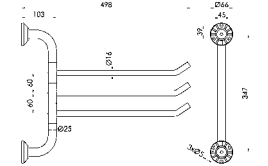


White Washroom

MULTI SWING ARM TOWEL RAIL

Code: NS.WR136 – Triple arm

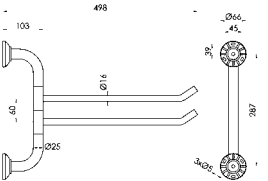
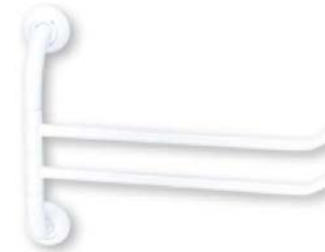
- White epoxy coated steel tubular construction
- Available with three swing arms
- Concealed fixings



MULTI SWING ARM TOWEL RAIL

Code: NS.WR137 – Two arm

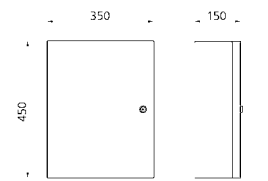
- White epoxy coated steel tubular construction
- Available with two swing arms
- Concealed fixings



WASHROOM CABINET – LOCKABLE

Code: NS.WR122

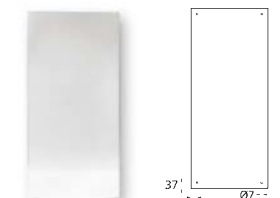
- Robust steel construction
- Epoxy powder coated
- Locking door



SAFETY BACKED GLASS MIRROR

Code: NS.WR134 – 1000mm | NS.WR135 – 700mm

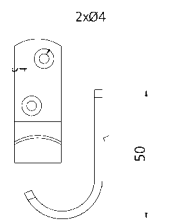
- Bevelled edge
- Safety backed



SINGLE ROBE HOOK

Code: NS.WR118

- Aluminium construction



White Washroom

SHOWER CUBICLE TELESCOPIC ROD



Code: NS.WRTR1

- Extends from 700mm to 1200mm



6 FT TELESCOPIC ROD



Code: NS.WRTR2

- Extends from 1100mm to 1830mm



8 FT 6" TELESCOPIC ROD



Code: NS.WRTR3

- Extends from 1100mm to 2600mm



L SHAPED TELESCOPIC ROD



Code: NS.WRTR4

- Fixed width rod is 740mm
- Length of rod extends from 1400mm to 2600mm



White Washroom

SHOWER CURTAIN TRACK

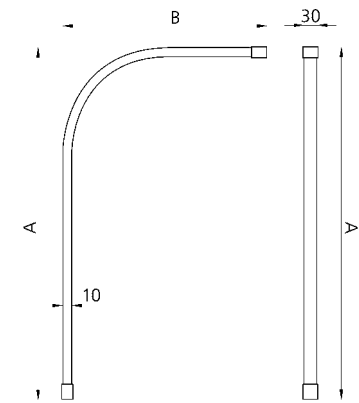


- Highly quality aluminium track
- Designed to eliminate dust and dirt traps
- Supplied with wall brackets, ceiling stay and concealed runners
- Can be trimmed to length



L SHAPED	A	B
NS.WR001	1000	1000
NS.WR002	1200	1200
NS.WR003	1500	1200
NS.WR004	1830	760

STRAIGHT	A
NS.WR005	2430

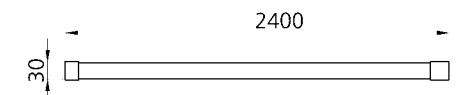


FLEXIBLE SHOWER CURTAIN TRACK



Code: NS.WR006

- Highly quality aluminium track
- Designed to eliminate dust and dirt traps
- Supplied with wall brackets, ceiling stay and concealed runners
- Can be trimmed to length

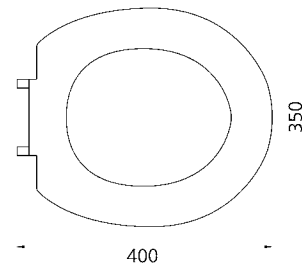


White Washroom

TOILET SEAT RING ONLY

Code: NS.WR100 – White | NS.WR102 – Dark Blue

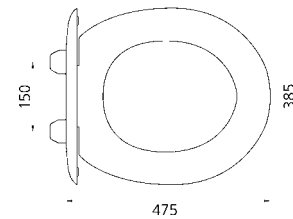
- Easy to install
- Stainless steel hinges



TOILET SEAT WITH LID

Code: NS.WR102 – White | NS.WR103 – Electric Blue

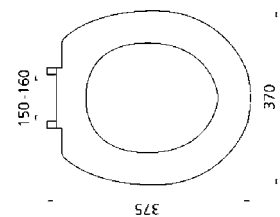
- Easy to install
- Includes lid
- Plastic hinges



TOILET SEAT RING ONLY

Code: NS.WR200

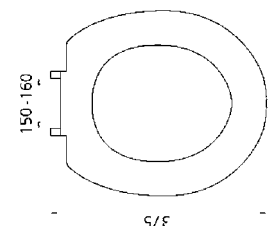
- High quality duraplast construction
- Stainless steel hinges
- Comes with stays for side transfer



TOILET SEAT WITH LID

Code: NS.WR201

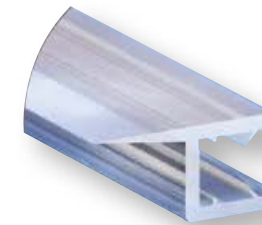
- High quality duraplast construction
- Stainless steel hinges
- Comes with stays for side transfer



Glass Hinges & Accessories

'Y' INLINE PANEL SEAL FOR 90°

Code: WS1



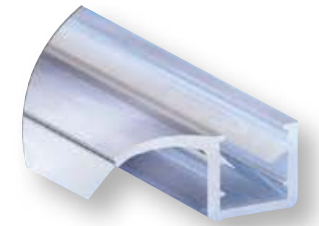
POLYCARBONATE DOOR JAMB FOR 135°

Code: WS2



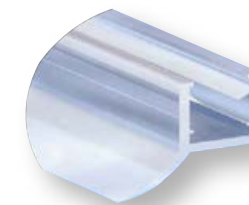
POLYCARBONATE 'U' WITH LEG AND SEAL FOR 90°

Code: WS3



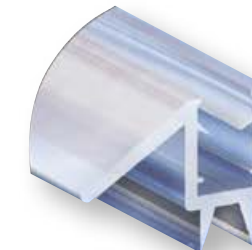
DUAL DUROMETER PVC SEAL AND WIPE

Code: WS4



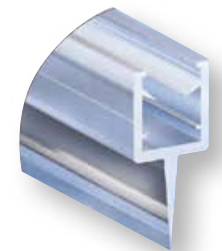
CO-EXTRUDED CLEAR BOTTOM WIPE WITH DRIP RAIL

Code: WS5



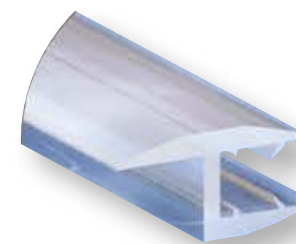
POLYCARBONATE BOTTOM RAIL WITH DRIP WIPE

Code: WS6



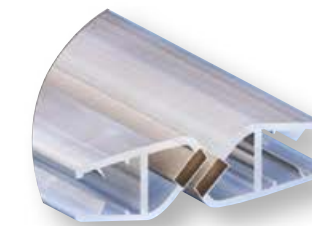
POLYCARBONATE 'H' JAMB FOR 180°

Code: WS7



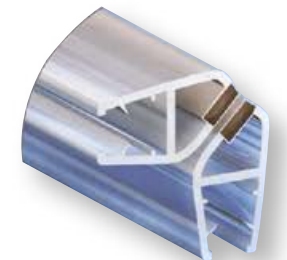
MAGNETIC SEAL FOR 180°

Code: WS8

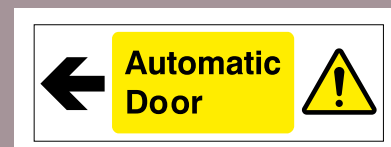


MAGNETIC SEAL FOR 90°

Code: WS9



SIGNAGE



CONTENTS:

METAL

76mm Discs	340
Contract Door Signs	341
Contract General Signs	342
A Grade Bespoke	349

PLASTIC

Standard Fire Door Signs	343
Photoluminescent Fire Door Signs	344
Fire Exit Signs	345
Hospital Compliant Signage	346-347
Dementia Signage	348

Metal Signage 76mm Disc (16g)



Code: FDKS



Code: FDKL



Code: AFDKC



Code: M



Code: F



Code: D



Code: U



Code: WC



Code: BC



Code: S



Code: CLEAN



Code: T



Code: PUSH



Code: PULL



Code: NS



Contract Door Signage

General signs show information to identify areas, direct or to inform people in general ways.

Signs for situations that do not warrant specific site signage.

Colour: White/Black.

Signs on these pages are available in a self adhesive vinyl. All sizes are shown with width first.

Code: DOR.10E 300 x 100 Site Manager	Code: DOR.12E 300 x 100 Project Manager	Code: DOR.16E 300 x 100 Site Office	Code: DOR.17E 300 x 100 Conference Room	Code: DOR.18E 300 x 100 Meeting Room
Code: DOR.22E 300 x 100 Private	Code: DOR.24E 300 x 100 Stores	Code: DOR.25E 300 x 100 Kitchen	Code: DOR.26E 300 x 100 Canteen	Code: DOR.27E 300 x 100 Toilets
Code: DOR.20E 300 x 100 Reception	Code: DOR.30E 300 x 100 Visitors Toilet	Code: DOR.51E 300 x 100 Office	Code: DOR.52E 300 x 100 Showroom	Code: DOR.55E 300 x 100 Cloakroom
Code: DOR.56E 300 x 100 Enquiries	Code: DOR.57E 300 x 100 Entrance	Code: DOR.58E 300 x 100 Representatives seen by appointment only	Code: DOR.59E 300 x 100 Please ring for attention	Code: DOR.60E 300 x 100 Thieves will be prosecuted
Code: DOR.61E 300 x 100 Cheques will only be accepted if accompanied by a bankers card	Code: DOR.62E 300 x 100 	Code: DOR.63E 300 x 100 Trespassers will be prosecuted	Code: DOR.68E 300 x 100 Trade Counter	Code: WAG.75E 300 x 100
Code: DOR.40W 300 x 100 	Code: DOR.41W 300 x 100 	Code: DOR.42W 300 x 100 	Code: DOR.43W 300 x 100 Boys 	Code: DOR.44W 300 x 100 Girls
				Code: WAG.76E 300 x 100
				Code: DOR.48W 300 x 100 Automatic Door

Contract General Signage

Self Adhesive Vinyl unless stated

Code: DOR.74F 300 x 200 	Code: DOR.75F 300 x 200 	Code: DOR.76F 300 x 200 	Code: DOR.77F 300 x 200 	Code: DOR.85F 300 x 200
Code: DOR.78F 300 x 200 	Code: DOR.79F 300 x 200 	Code: DOR.80F 300 x 200 	Code: DOR.81F 300 x 200 	Code: DOR.86F 300 x 200
Code: DOR.83F 300 x 200 	Code: DOR.84F 300 x 200 	Code: DOR.87F 300 x 200 	Children Bus Sign Code: DOR.101 Measures: 1 x 400mm x 400mm 1 x 250mm x 250mm	
Code: DOR.90F 300 x 200 	Code: DOR.91F 300 x 200 	Code: DOR.92F 300 x 200 		

Standard Fire Door Signs

Signs in this section are available in a self adhesive vinyl. All sizes are shown with width first.

Code: MAD.01G 100 x 100 	Code: MAD.02G 100 x 100 	Code: MAD.03V 200 x 200 Code: MAD.03G 100 x 100 	Code: MAD.04G 100 x 100 	Code: MAD.05G 100 x 100
Code: MAD.10G 100 x 100 	Code: MAD.12G 100 x 100 	Code: MAD.13G 100 x 100 	Code: MAD.14G 100 x 100 	Code: MAD.15G 100 x 100
Code: MAD.16G 100 x 100 	Code: MAD.24G 100 x 100 	Code: MAD.25G 100 x 100 	Code: MAD.26G 100 x 100 	Code: MAD.27G 100 x 100
Code: MAD.28G 100 x 100 	Code: MAD.29G 100 x 100 	Code: MAD.30G 100 x 100 	Code: MAD.31G 100 x 100 	Code: MAD.35G 100 x 100
Code: MAD.45V 200 x 200 Code: MAD.45G 100 x 100 	Code: MAD45T 150 x 200 			

























Photoluminescent Fire Door Signs

Self Adhesive Vinyl

<p>Code: PP881G 100 x 100</p> 	<p>Code: PP882G 100 x 100</p> 	<p>Code: PP885G 100 x 100</p> 	<p>Code: PP886G 100 x 100</p> 	<p>Code: PP244G 100 x 100</p> 
<p>Code: PP887G 100 x 100</p> 	<p>Code: PP888G 100 x 100</p> 	<p>Code: PP890G 100 x 100</p> 	<p>Code: PP891G 100 x 100</p> 	<p>Code: PP892G 100 x 100</p> 
<p>Code: PP893G 100 x 100</p> 	<p>Code: PP894G 100 x 100</p> 	<p>Code: PP895G 100 x 100</p> 	<p>Code: PP896G 100 x 100</p> 	<p>Code: PP897G 100 x 100</p> 
<p>Code: PP889G 200 x 200 Code: PP889V 100 x 100</p> 	<p>Code: PP889F 150 x 200</p> 			

Fire Exit Signs

Fire Exit Signs are to locate and identify means of escape and emergency. Signs on these pages are available in a self adhesive vinyl. All sizes are shown with width first.

<p>Code: FE.03D 600 x 200 Code: FE.03L 400 x 150 Code: FE.03E 300 x 100</p> 	<p>Code: FE.04D 600 x 200 Code: FE.04L 400 x 150 Code: FE.04E 300 x 100</p> 	<p>Code: FE.01D 600 x 200 Code: FE.01L 400 x 150 Code: FE.01E 300 x 100</p> 	<p>Code: FE.02D 600 x 200 Code: FE.02L 400 x 150 Code: FE.02E 300 x 100</p> 	<p>Code: FE.05D 600 x 200 Code: FE.05L 400 x 150 Code: FE.05E 300 x 100</p> 
<p>Code: FE.06D 600 x 200 Code: FE.06L 400 x 150 Code: FE.06E 300 x 100</p> 	<p>Code: FE.07D 600 x 200 Code: FE.07L 400 x 150 Code: FE.07E 300 x 100</p> 	<p>Code: FE.08D 600 x 200 Code: FE.08L 400 x 150 Code: FE.08E 300 x 100</p> 	<p>Code: FE.15L 400 x 150 Code: FE.15E 300 x 100</p> 	<p>Code: FE.16L 400 x 150 Code: FE.16E 300 x 100</p> 
<p>Code: FEG.36L 400 x 150 Code: FE.G36E 300 x 100</p> 	<p>Code: FE.13D 600 x 200 Code: FE.13L 400 x 150 Code: FE.13E 300 x 100</p> 	<p>Code: EX.37L 400 x 150 Code: EX.37E 300 x 100</p> 	<p>Code: EX.38L 400 x 150 Code: EX.38E 300 x 100</p> 	<p>Code: EX.39L 400 x 150 Code: EX.39E 300 x 100</p> 
<p>Code: EX.40L 400 x 150 Code: EX.40E 300 x 100</p> 	<p>Code: FE.91L 400 x 150</p> 	<p>Code: EX.41L 400 x 150 Code: EX.41E 300 x 100</p> 	<p>Code: EX.42L 400 x 150 Code: EX.42E 300 x 100</p> 	<p>Code: EX.43L 400 x 150 Code: EX.43E 300 x 100</p> 
<p>Code: EX.44L 400 x 150 Code: EX.44E 300 x 100</p> 	<p>Code: EX.45L 400 x 150 Code: EX.45E 300 x 100</p> 	<p>Code: EX.46L 400 x 150 Code: EX.46E 300 x 100</p> 	<p>Code: FE 27D 600 x 200</p> 	

Hospital Compliant Signage

Self Adhesive Vinyl

<p>Code: HM.01D 600 X 200 Code: HM.01L 400 x 150</p>	<p>Code: HM.02D 600 X 200 Code: HM.02L 400 x 150</p>	<p>Code: HM.03D 600 X 200 Code: HM.03L 400 x 150</p>	<p>Code: HM.04D 600 X 200 Code: HM.04L 400 x 150</p>
<p>Code: HM.05D 600 X 200 Code: HM.05L 400 x 150</p>	<p>Code: HM.06D 600 X 200 Code: HM.06L 400 x 150</p>	<p>Code: HM.07D 600 X 200 Code: HM.07L 400 x 150</p>	<p>Code: HM.08D 600 X 200 Code: HM.08L 400 x 150</p>

REFUGE SIGNS

<p>Code: FER 01L 400 x 150</p>	<p>Code: FER 02L 400 x 150</p>	<p>Code: FER 03L 400 x 150</p>	<p>Code: FER 04L 400 x 150</p>
<p>Code: FER 06L 400 x 150</p>	<p>Code: FER 07L 400 x 150</p>	<p>Code: FER 08L 400 x 150</p>	<p>Code: FER 12W 150 X 200</p>
<p>Code: FER 11F 300 x 200</p>	<p>Code: FER 05R 300 x 150</p>	<p>Code: FER.31F 300 x 200</p>	

Hospital Compliant Signage

Self Adhesive Vinyl

ASSEMBLY POINT SIGNS

<p>Code: FE.09D 600 x 200 Code: FE.09L 400 x 150 Code: FE.09E 300 x 100</p>	<p>Code: FE.36L 400 x 150</p>	<p>Code: FE.34L 400 x 150</p>	<p>Code: FE.37L 400 x 150</p>	<p>Code: FE.33L 400 x 150</p>
<p>Code: FE 32F 200 x 300</p>	<p>Code: FE 10Z 600 x 400</p>	<p>Code: FE 11Z 600 x 400</p>	<p>Please state when ordering what number or letter is required</p>	

INSTRUCTION SIGNS

<p>Code: FED 03E 300 x 100</p>	<p>Code: FED 04E 300 x 100</p>	<p>Code: FED 09E 300 x 100</p>	<p>Code: FED 08E 300 x 100</p>
<p>Code: FE 12E 300 x 100</p>	<p>Code: FA 20E 300 x 100</p>	<p>Code: FE 12Q 600 x 100</p>	
<p>Code: FED 01M 100 x 200</p>	<p>Code: FED 02M 100 x 200</p>	<p>Code: FED 05G 100 x 100</p>	<p>Code: FED 06G 100 x 100</p>
		<p>Code: FED 24G 100 x 100</p>	

Dementia Signs

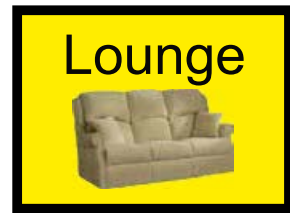
Dementia Signs are designed to help people find their way around a care home or even their own home. These signs can help to reduce the feeling of isolation and disorientation that those with Dementia can have. Safety is also improved as it helps those people with dementia to get to where they want to be easier, thus resulting in less falls and accidents and helping prevent them going into areas they shouldn't be in unsupervised.

Correct use of Dementia signs can help to give sufferers a far greater sense of independence due to being able to find their way around easier, and also boost self confidence and sense of well being. Self Adhesive Vinyl.

Code: DMS 01
300 x 200



Code: DMS 02
300 x 200



Code: DMS 03
300 x 200



Code: DMS 04
300 x 200



Code: DMS 05
300 x 200



Code: DMS 06
300 x 200



Code: DMS 07
200 x 300



Code: DMS 08
200 x 300



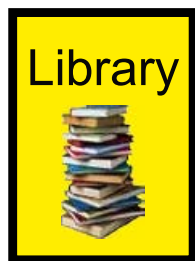
Code: DMS 09
200 x 300



Code: DMS 10
200 x 300



Code: DMS 11
200 x 300



Code: DMS 12
200 x 300



Code: DMS 13
200 x 300



Code: DMS 14
200 x 300



'A' Grade Bespoke Signage

PURE LOOK SIGNS

These signs are made from 5mm thick premium quality clear acrylic and come with polished edges to give a stunning appearance. Each sign is designed to match your organisations requirements. Please contact us with your size and design requirements.



WALL/CEILING SIGN HOLDERS



Sign holder for signs up to 6mm thick to ensure a sign at right angles to fixing surface.

Available in Chrome 2 – 6mm

9538210

WIRE SIGN HANGERS



Cable sign holder made from 1.5mm wire with top fixing and sign fixing to hold sign panels up to 6mm thick. Supplied with 2 metres of wire which can be cut to size.

Available in Chrome 2 – 6mm

3130310

DOMED CHROME SPACER



Domed headed Chrome screw in spacer

- A. Diameter of Head
- B. Length of body
- C. Fixing hole size
- D. Maximum panel thickness

1431310 –

A.13mm B.13mm C.8mm D. 5mm

1431310 -

A.19mm B.25mm C.12mm D.15mm

DISTRIBUTED BY:

NEWSTAR DOOR CONTROLS LIMITED, UNIT 2, BLOCK A LION BUSINESS PARK, DERING WAY, GRAVESEND, KENT DA12 2DN.

T: (01474) 353111 F: (01474) 353911 E: sales@new-star.co.uk W: new-star.co.uk

All illustrations and dimensions given in this brochure are subject to change due to the continual refining and improving of the product range. Therefore we reserve the right to alter specification without prior notice. Any products purchased from this brochure are subject to our standard terms and conditions which are available upon request. December 2017.

impact. createwithimpact.com (E5474/LU)