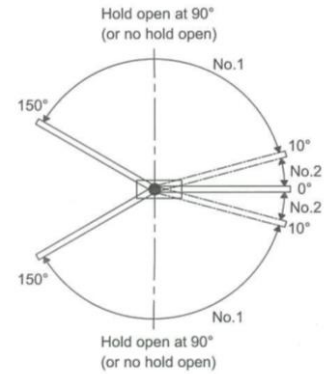
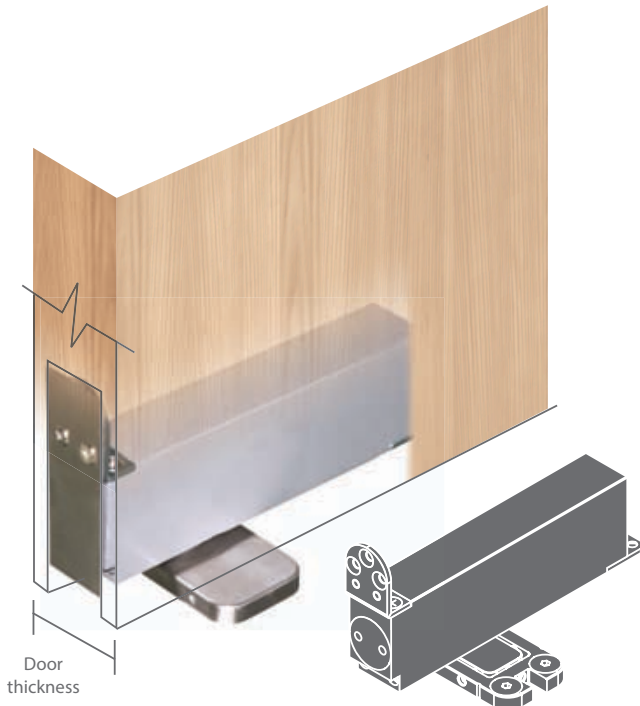


Product Spec Sheet



Name: Bary Concealed Double Action Closer

Code: NS.CID.001



Data & Features:

Specification

Usage:

Single, double action, standard or fire doors.

(Intumescent required)

Material:

Aluminium, stainless steel, steel

Finishes:

SSS

Fixings:

Wood screw

Note:

BS EN 1634-1:2014 60 mins

BS EN 1361-1:2014

Declaration of Performance:

021CPR2013-07-03

	NS.CID.001
Variable closing force Standard doors	≤ 950mm
Suitable door thickness	≥ 40mm
Body Dimension (Length x Wide x Projection)	181 x 56 x 32 (mm)
Spring Strength (EN)	60kg
Angle of opening	150°
Closing speed adjustable	150° ~ 10°
Braking speed adjustable	10° ~ 0°
Non-handed	✓
With cover	✓
Guarantee/years	5 years