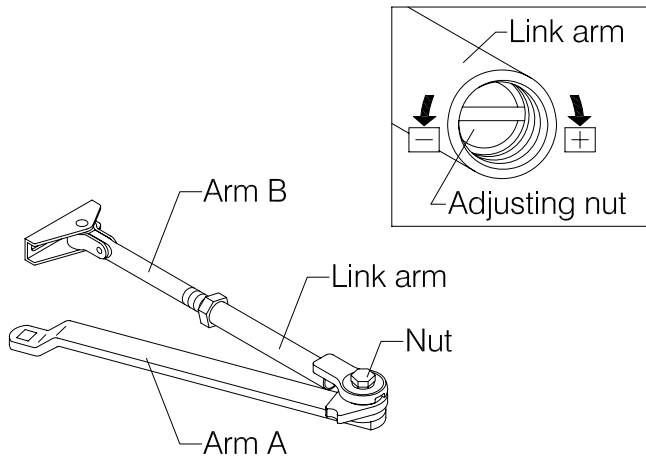


28 Adjusting the hold open function



1. Take off the nut, and separate arm A and B.
2. As saw on the drawing, use a screw driver to turn the slotted screw to right or left hand side so that the strength of the hold open will be adjusted.
3. After the adjustment, assemble the arm again, And make sure that all the parts are in the right position.

↑
方框線為說明書的版面邊界